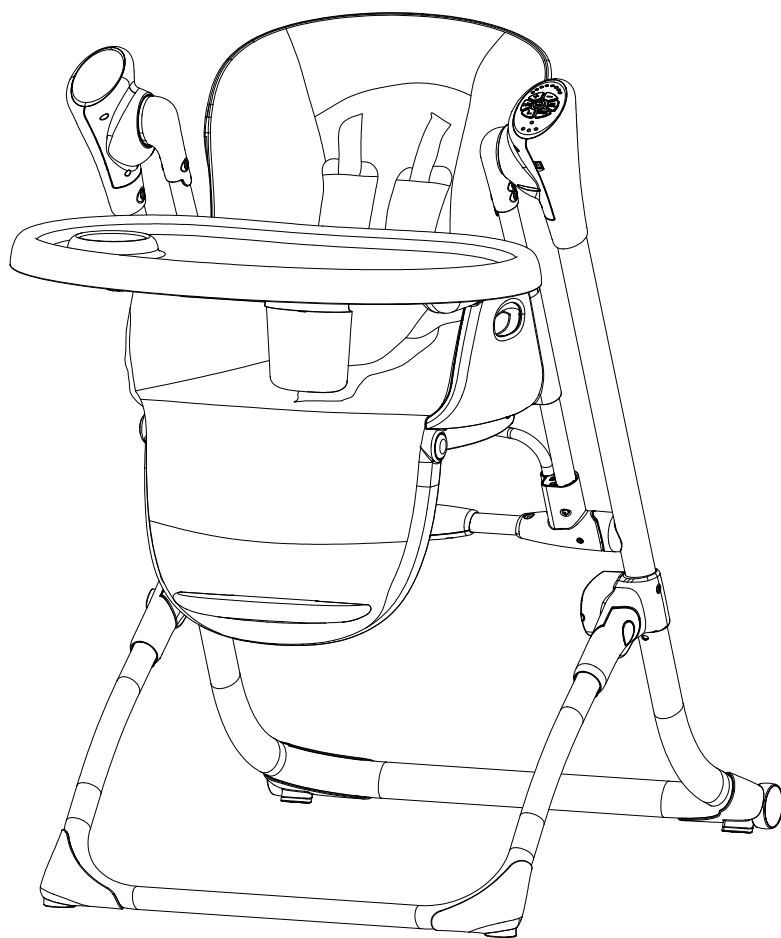




2-in-1 Smart Voyager Swing and High Chair



PRIMO

149 Shaw Avenue, Irvington, NJ 07111

Tel: (973) 926-5900 Fax: (973) 926-1745

e-mail: info@primobaby.com

www.primobaby.com

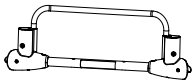

Model No.: PRI-450G

Standard: ASTM F404-17/ASTM F0288-15

Contents

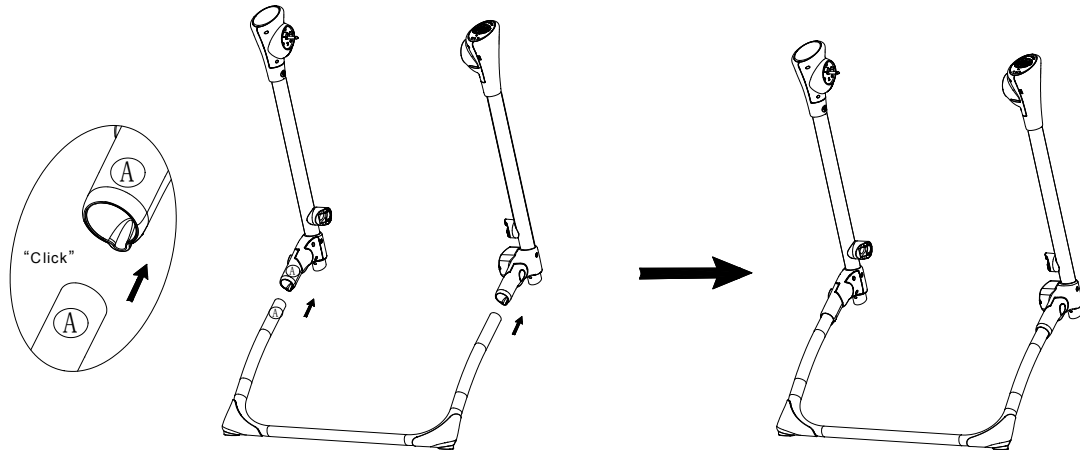
I. Part List..... Page 1
 II. Assembly..... Pages 2-10
 III. Use Instructions..... Pages 11-13
 IV. Cleaning and Maintenance..... Page 14
 V. Warnings..... Pages 14-15
 VI. Warranty..... Page 15

I. Part List

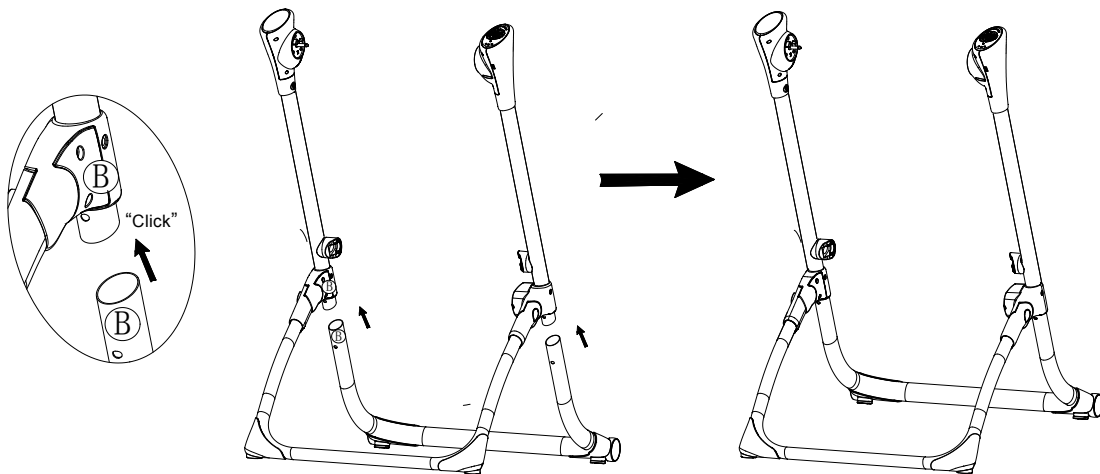
Part	Name	Quantity	Part	Name	Quantity
	Main Control Arm	1		Swing Release Bar	1
	Assist Arm	1		Feeding Tray & Cover	1
	Front Foot Tube	1		Toy Bar	1
	Rear Foot Tube	1		Footrest Base	1
	Left Swing Arm Tube	1		Electrical Adapter	1
	Right Swing Arm Tube	1	Instruction Manual		1
	Seat & Cushion	1			

II. Assembly Instructions

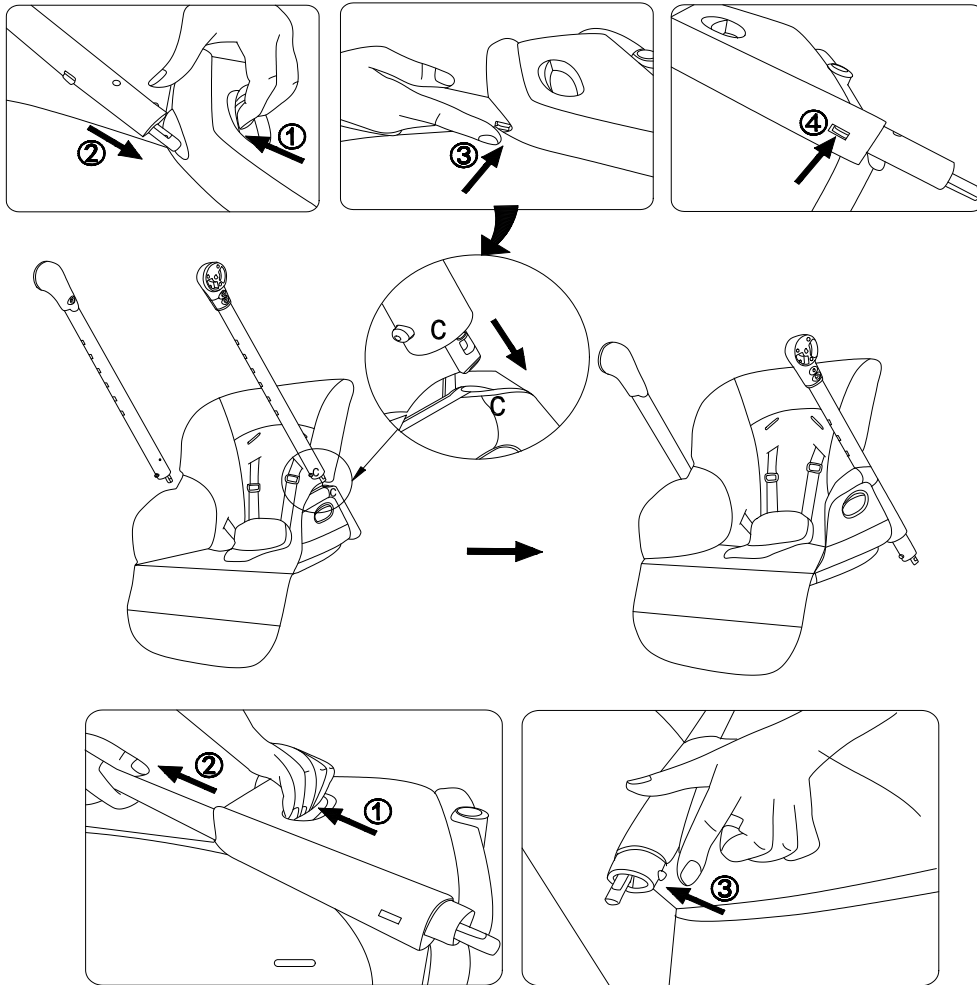
1. Combine the front base tube (A) with the main frame (A). A "click" will indicate that the pieces have locked together properly.



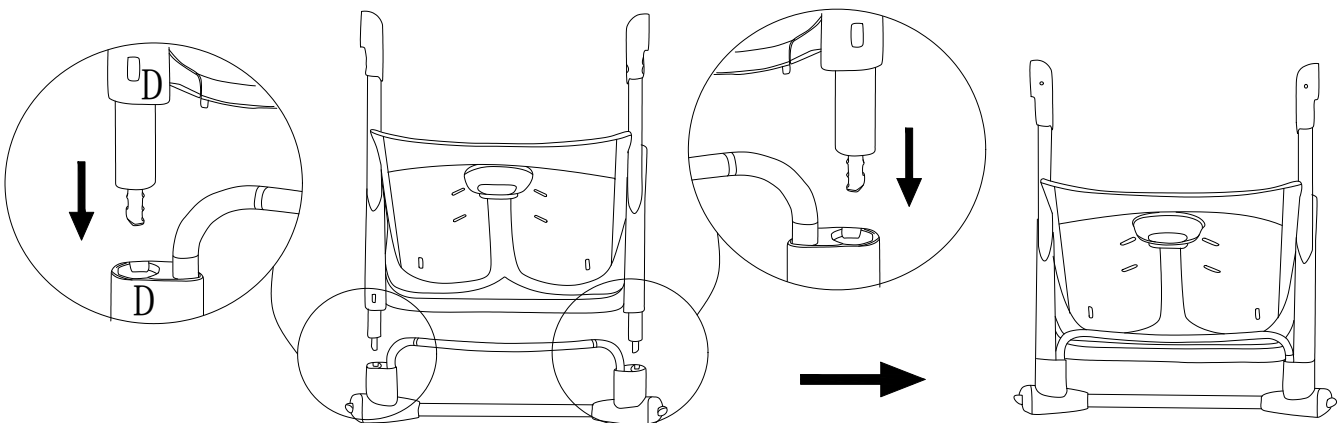
2. Combine the rear base tube (B) with the main frame (B). A "click" will indicate that the pieces have locked together properly.



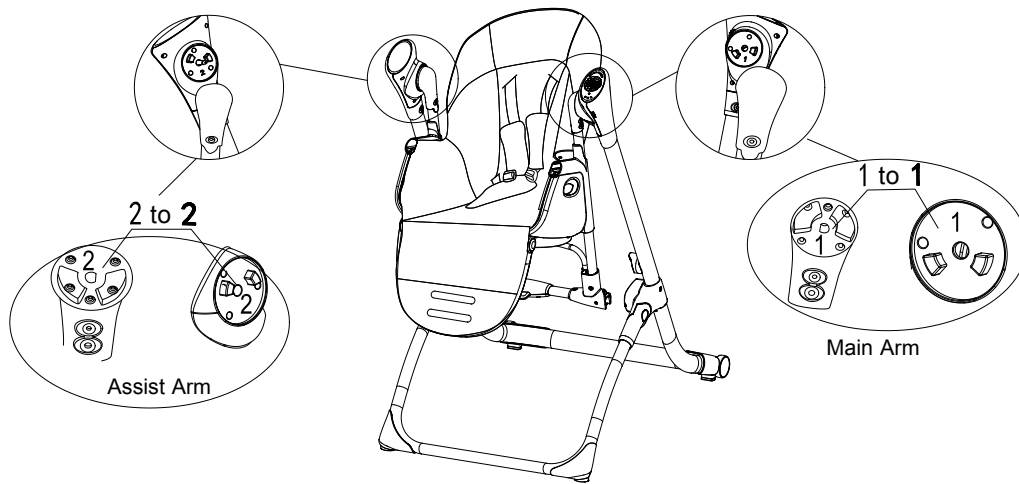
3. Slide the left and right swing arms (C) into the seat (C). The arms should not be able to be pulled out of the frame without pressing in the button to remove them.



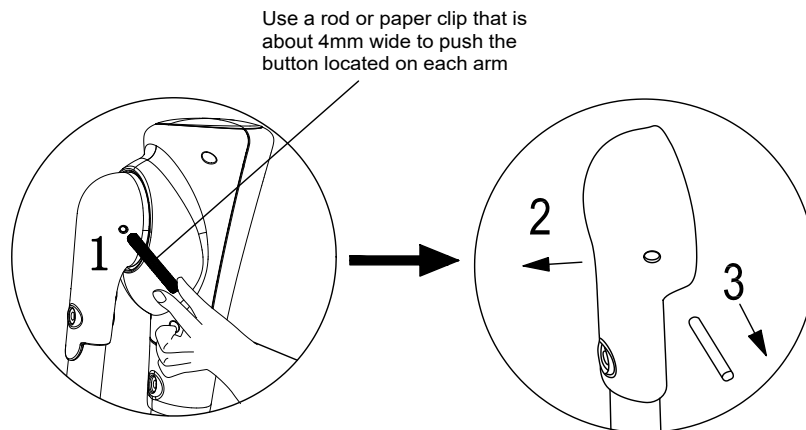
4. Insert the swing release bar (D) into the bottom of the seat (D).



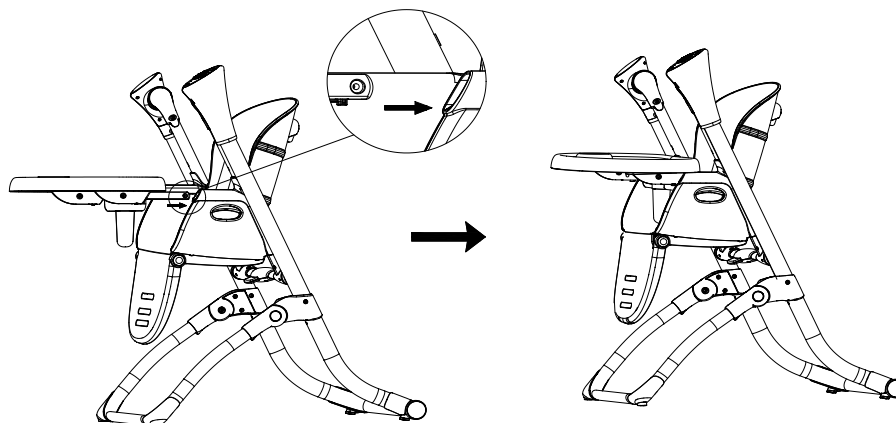
5. Connect the Left and Right Swing Arms as shown in the image below to complete the main assembly of the 2-2-in-1 Smart Voyager Swing & High Chair.



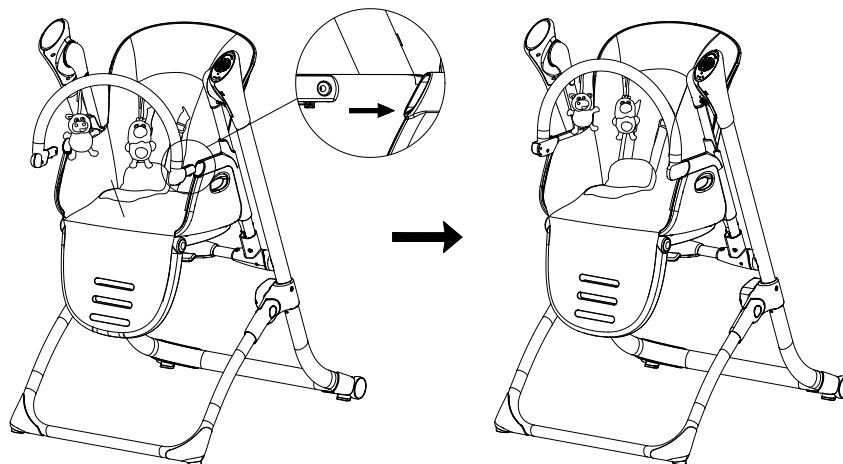
6. To disconnect the seat from the frame follow the instructions in the image below.



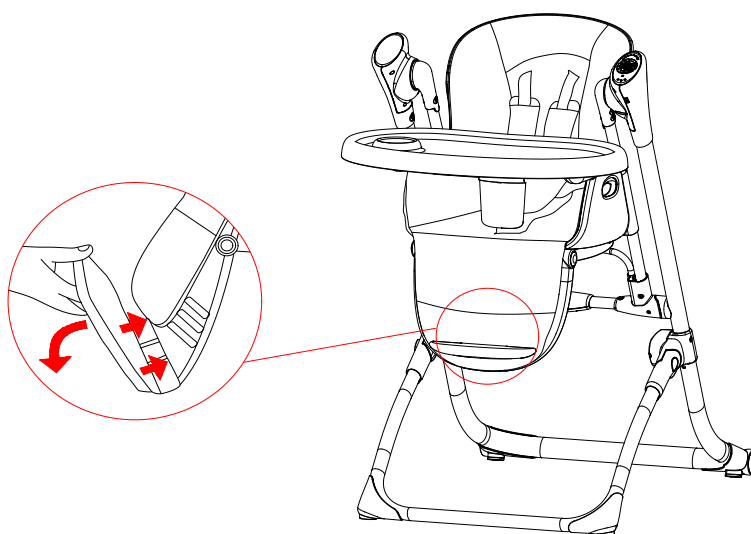
7. To install the feeding tray, slide the tray rails into the seat until they lock into place. **NOTICE: Only use feeding tray in the locked high chair configuration.**



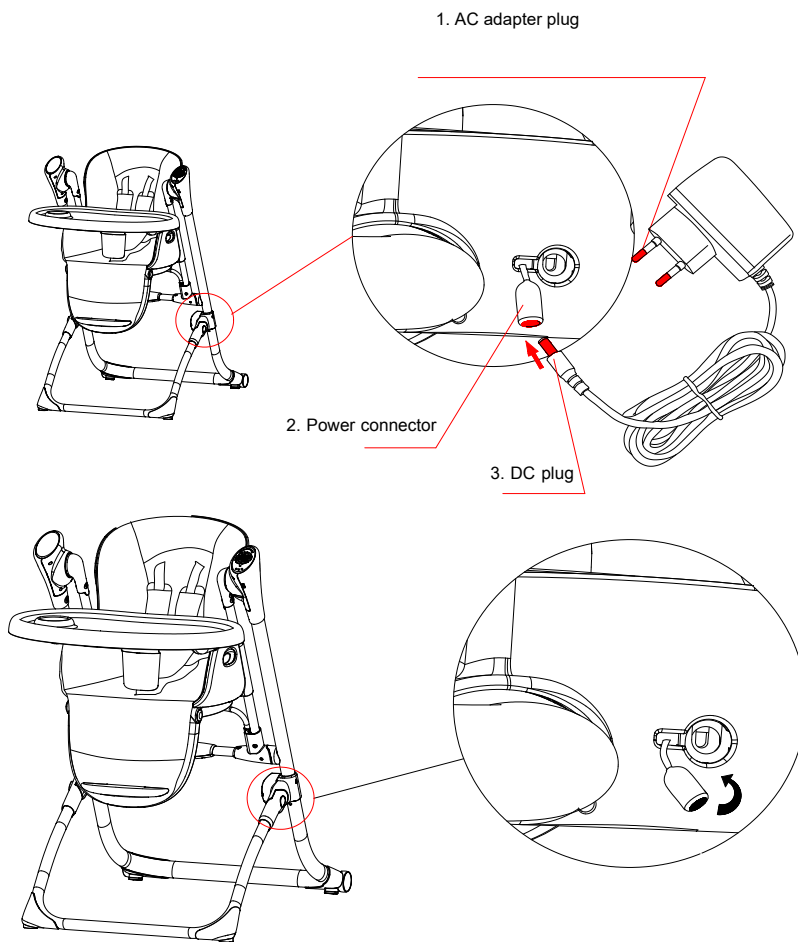
8. To install the toy bar, slide the rails into the seat until they lock into place.
NOTICE: Only use toy bar in the swing configuration. Remove Toy Bar when baby can reach or grab toys.



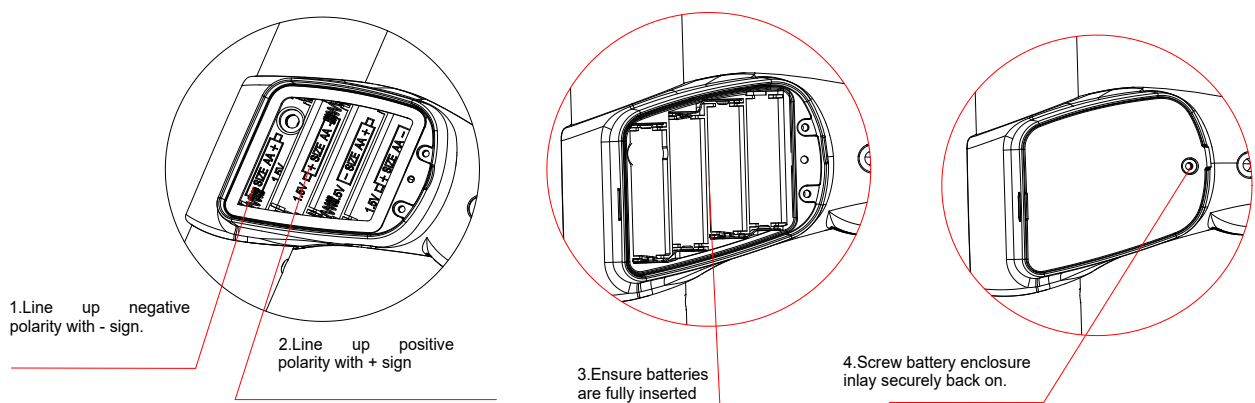
9. Adjust the height of the footrest by sliding the plate into the desired height level as shown in the image below.



10. To power the Voyager, insert DC plug of adapter to receiver on the main frame. Insert the AC plug into a wall socket to power on the Voyager.



11. This product requires 4 AA batteries to run without being plugged in to an electrical outlet.

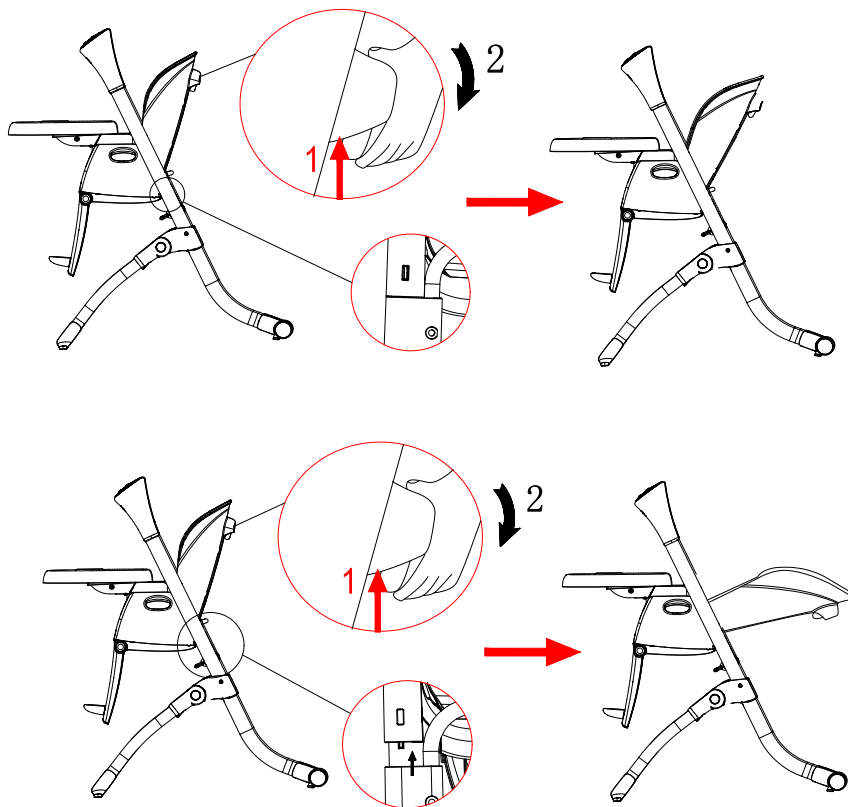


⚠ WARNING!

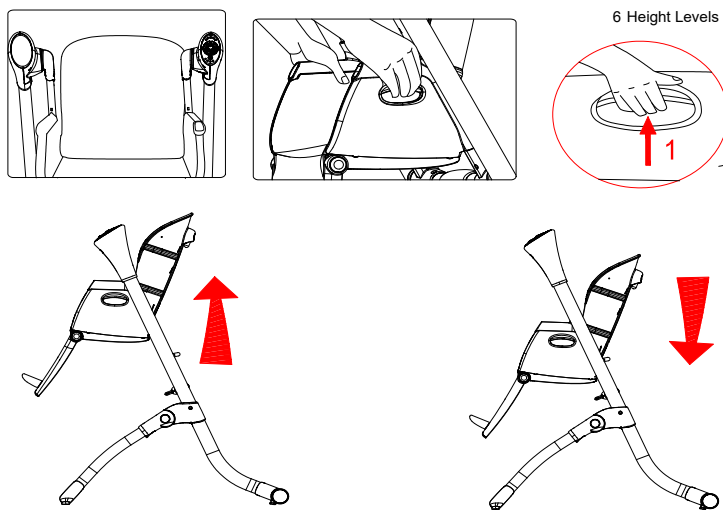
- Different types of batteries or old and new batteries cannot be mixed.
- The batteries should be placed in the correct polarity.
- Exhausted batteries need to be removed from the infant swing.
- The Infant Swing shall only be used with the included adapter or 4 AA batteries.
- Keep adapter out of reach of children.
- Adapter used with the infant swing must be regularly examined for damage to the cord, plug, enclosure, and other parts - discontinue use of adapter if such damage occurs.
- Unplug the power adapter and remove the batteries before storing the Voyager for long periods.

12. When Voyager is in Swing mode, the seat backrest can only recline to two possible positions. When Voyager is in High Chair mode, the seat backrest can recline two positions in the two lowest height levels. Backrest can fully recline when chair is in the three highest height positions.

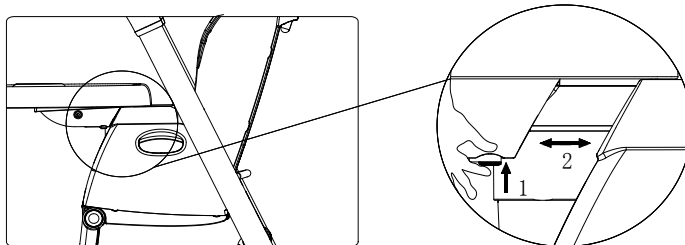
⚠ WARNING! Do not adjust the recline or height of the Voyager while baby is in seat!



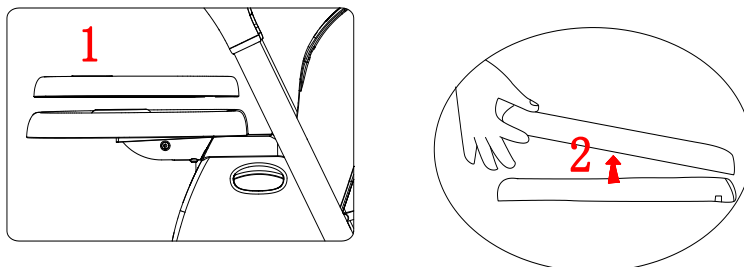
13. As shown in the figure, press the adjustment button on both sides and select one of the five height adjustment levels. Once you hear a "click" the seat height has locked into place.



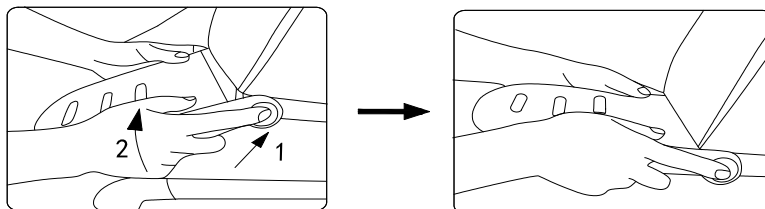
14. Feeding tray has 3 adjustable positions that can be changed by pressing adjustment button located under tray.



15. Remove the top layer of the feeding tray to clean it with soap and water or in the "top rack only" of your dishwasher.

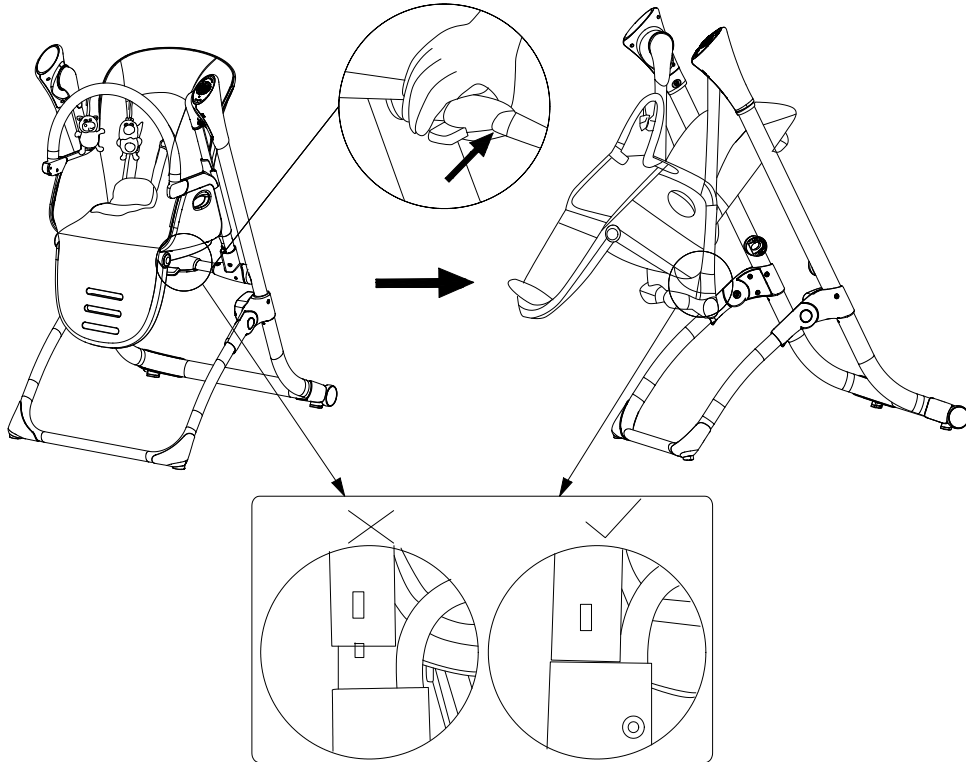


16. Press both sides of the footrest button at the same time to adjust the level of incline

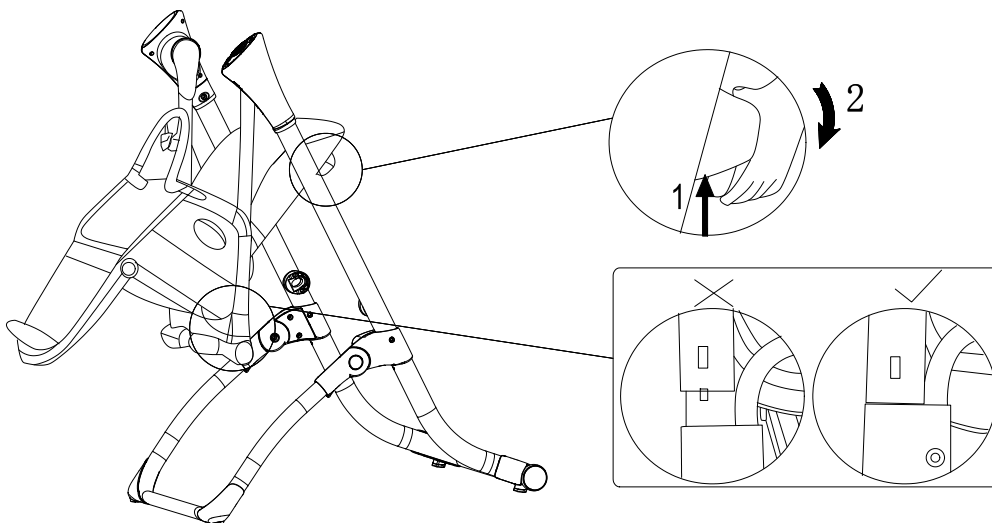


17. Only when the seat is in the lowest height position can you switch between High Chair and Swing mode. Notice: **While in Swing Mode the seat height can not be adjusted.**

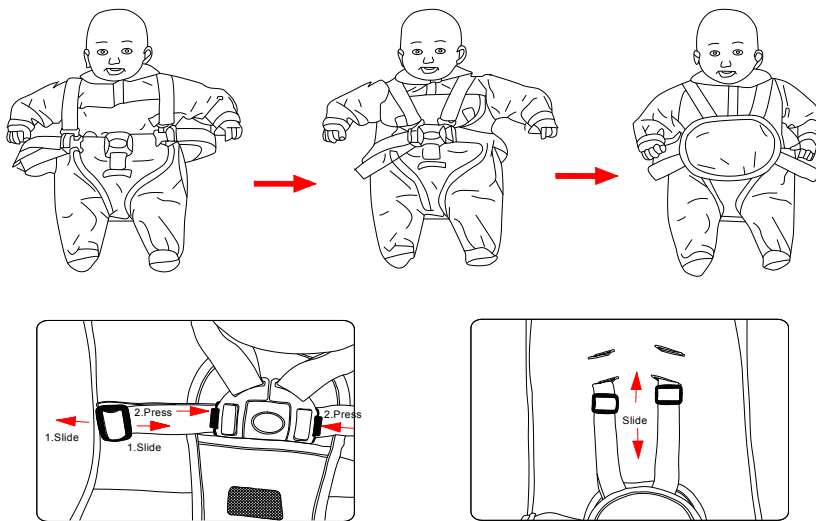
⚠ WARNING! Do not use the Voyager's swing function while in High Chair mode or it will wear out the motor and impact the function of the chair.



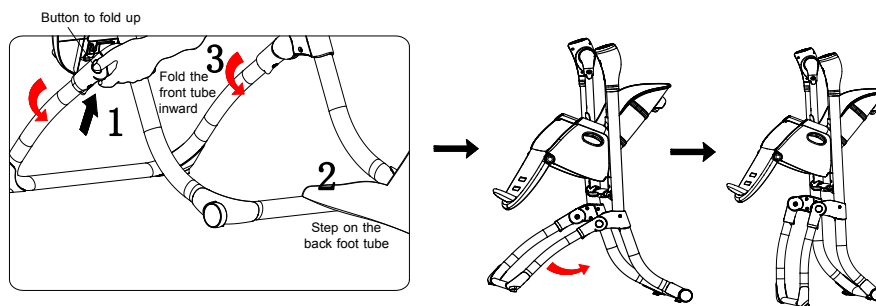
18. While in the swing position, the backrest has a maximum of two possible recline positions.



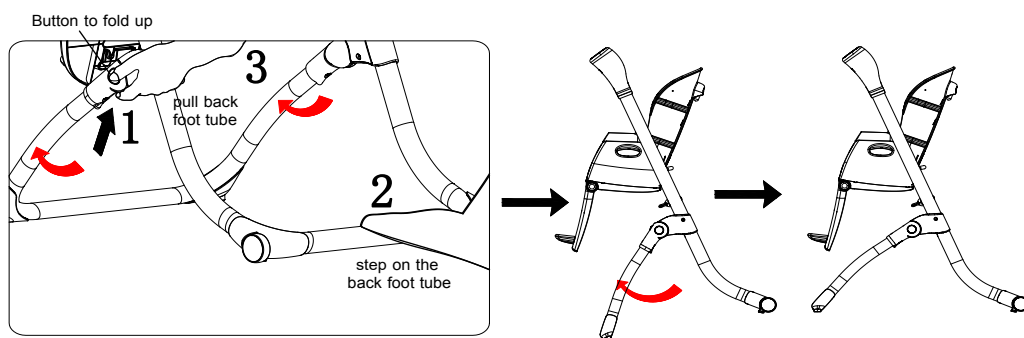
19. Baby should be safely secured by safety harness at all times while using the Voyager. Ensure that safety harness is fitted properly and that baby is held securely in place.



20. To fold the chair, press the buttons on the left and right side, and step on the back foot tube. Then fold the front tube towards the back tube.

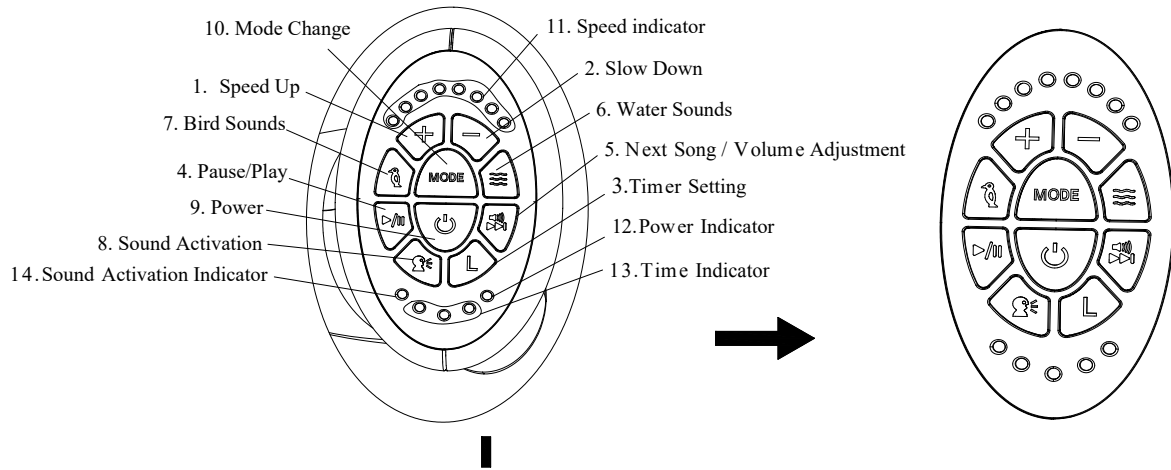


21. To unfold the chair, press the left and right side button, and step on the back foot tube. Then pull the back foot tube out until fully extended.



III. Using your Voyager 2-in-1

1. Control Panel Diagram



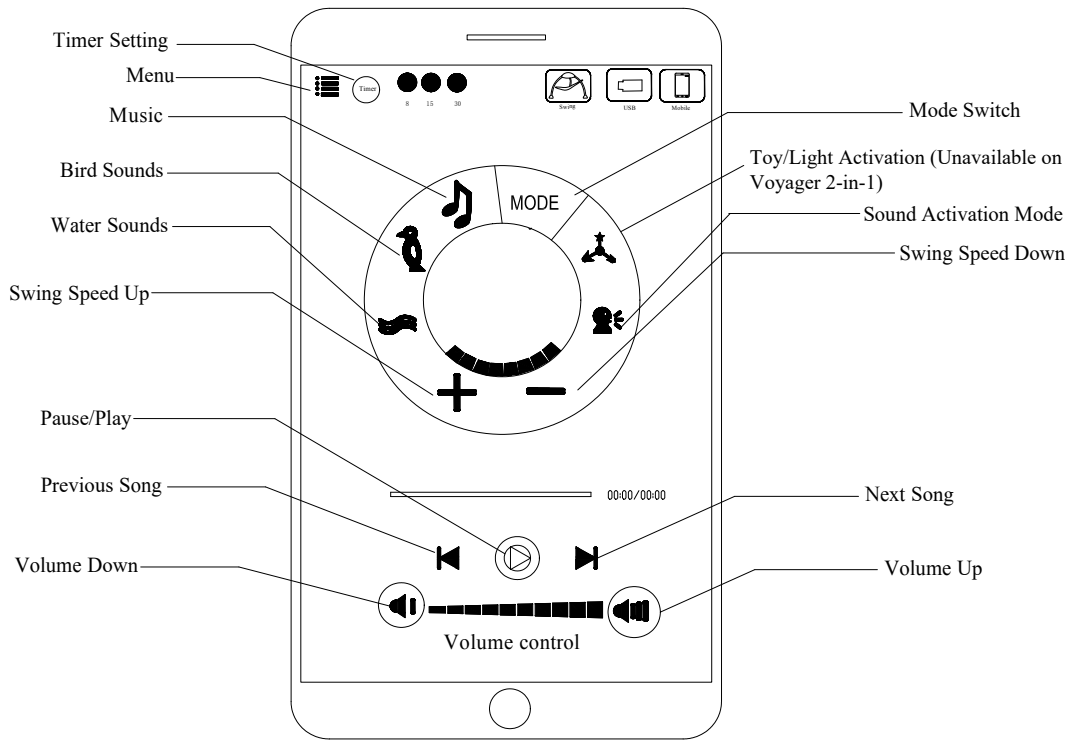
2. Control Panel Functions

- **Speed Settings:** The Voyager has 8 swing speeds. Press "+" (1) to speed up and "-" (2) to slow down.
- **Timer Settings:** Press Timer Setting (3) once for 8 minutes of use, a second time for 15 minutes of use, and a third time for 30 minutes of use. If the timer function is not used, the swing will function until powered off.
- **Play/Pause Button:** Press the Play/Pause Button (4) once to start playing music. Press it second time to stop playing music.
- **Volume/Next Song Button:** After pressing the play button (4), press the Volume/Next Song Button (5) to move to the next song. Hold the Volume/Next Song Button (5) to adjust the volume. After reaching desired volume release the button.
- **Music & Sound Options:** The Voyager comes installed with Piano Music (5), Soothing Water Sounds (6), and Ambient Bird Sounds (7). Pressing these buttons will play the corresponding sounds. Pressing these buttons again will stop sounds or music from playing.
- **Sound Activation Mode:** Press the Sound Activation Mode Button (8) to turn on responsive activation. When the Voyager detects sound (like baby crying) the swing will engage on the lowest setting and low volume. Pressing any button after enabling this mode will cancel it.
- **Power Button:** Turn the Voyager On/Off (9)
- **Mode Button:** Press the Mode Button (10) to switch between app and default music.

3. Mobile App Download

- 1) Download the "Swing Control" app by "xiaomei su" (our production partner) on the Apple or Android Store. You can also find the correct app by following instructions on the Voyager's product page at <https://www.primobaby.com/products/2-in-1-smart-voyager-swing-and-high-chair>

4. "Swing Control" app layout

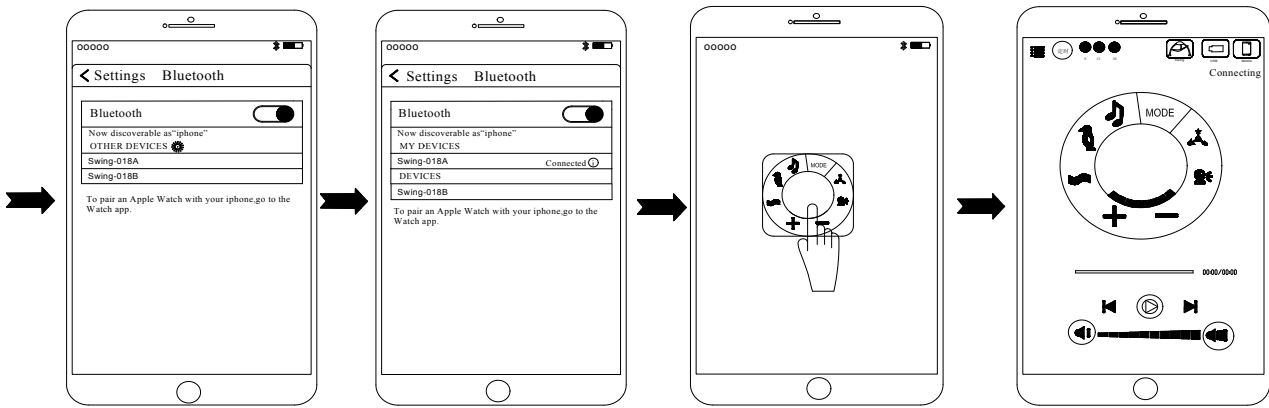


- 1) **Previous Song/Next Song:** Go back to prior song or move to the next song.
- 2) **Play/Pause:** Start or stop playing music.
- 3) **Sound Activation Mode:** Enable or disable the Voyager's Sound Activation function.
- 4) **Speed Adjustment:** "+" will increase and "-" will decrease swing speed.
- 5) **Mode Switch:** Press Mode to switch between using the manual and mobile controls.
- 6) **Timer Adjustment:** Sets the Voyager to swing for 8, 15, or 30 minutes - after the timer runs out the Voyager will stop swinging.
- 7) **Water/Bird Sounds:** Chair will play relaxing aquatic sounds or chirping birds.
- 8) **Music:** Plays pre-recorded music options.
- 9) **Menu:** Displays connected phone.

5. App Download Instructions (iOS 8.3.0 and up or Android 4.3.0 and up)

Go to the App Store and search for "SwingControl" by "xiaomei su" (our production partner) or go to www.primobaby.com/products/2-in-1-smart-voyager-swing-and-high-chair

6. Connecting to the Voyager (Note: Pair with Swing-018A)

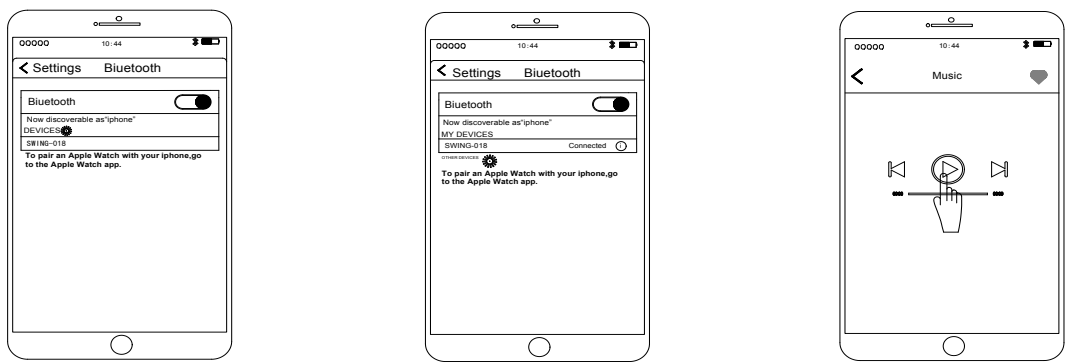


1. Go to Settings -> Bluetooth -> Connect to Swing-018A (Note: Make sure the Voyager is on)
2. Ensure that Swing-018A is marked as Connected
3. Load the Swing Control App
4. If you were successful the top right corner will show "Connected" (Note: If not connected repeat Steps 1-3)

7. Playing Personal Music via Voyager Speakers

The 2-in-1 Smart Voyager is able help introduce your child to your favorite music at an early age. To do this, connect your Smart Voyager to your phone via Bluetooth. Then, in your favorite music app, direct the "Speaker" to the connected Swing. Once the music app and Swing are connected, the music should begin playing through the chair once you press the "Mode" button. Control the music in app, or through the control panel on the Smart Voyager itself.

8. Playing music via Bluetooth with your Voyager



1. Enable Bluetooth
2. Connect to SWING-018
3. Press "Mode" on the Voyager or the app. Open your music app of choice and ensure that the Swing is listed as the speaker

IV. Care & Maintenance Instructions

1. Voyager Seat Cushion
 - a. Wash in cold water.
 - b. Use mild soap or upholstery shampoo.
 - c. Wash separately.
 - d. Do not bleach, soak, tumble dry, or dry clean.
 - e. Dry flat in the shade thoroughly before reuse and avoid direct heat.
2. Voyager Plastic/Metal Components
 - a. Wipe down with damp cloth and soap.
 - b. Dry thoroughly.
 - c. Do not use water on or near electric components.

WARNING!

1. Always use this product with the safety harness.
2. Discontinue use of Toy Bar once child can reach or grab the toys to prevent choking or injury.
3. Do not use the Smart Voyager unless all parts are properly installed and assembled or if any parts are loose.
4. Make sure that all locking mechanisms are in use before using the Smart Voyager.
5. Do not leave children unattended in the Smart Voyager.
6. The 2-in-1 Smart Voyager's Infant Swing function is intended for 0-6 months or under 20lbs.
7. The 2-in-1 Smart Voyager's High Chair function is intended for 6-36 months or up to 40lbs.
8. Do not lift the Smart Voyager by the toy bar or feeding tray.
9. Do not lift, move, or carry the Smart Voyager while a child is in the chair.
10. Do not use the Smart Voyager on any surface but a level floor.
11. Do not use the Smart Voyager on counters, tables, uneven surfaces, etc.
12. Do not let a child stand in the Smart Voyager's seat while in use.
13. Do not attempt to fold or store the Smart Voyager while a child in the chair.
14. Do not use the Smart Voyager if any parts are damaged, missing, or malfunctioning.
15. Do not use substitute parts from third parties to replace parts that may become damaged by use.
16. Keep away from extreme heat and cold (fire, space heaters, gas heaters, baseboards, windows, outdoors, etc.).
17. Do not hang anything from Smart Voyager while in use.
18. Allow up to 3-5 seconds after powering on to use electronic functions of the Smart Voyager.
19. Keep swing seat fully reclined until child is at least 4 months old AND can hold up head without help. Young infants have limited head and neck control. If seat is too upright, infant's head can drop forward, compress the airway, and result in DEATH.
20. The child should be secured in the high chair at all times by the restraining system. The tray is not designed to hold the child in the chair. It is recommended that the high chair be used only by children capable of sitting upright unassisted.
21. The child should be secured in the high chair at all times by the restraining system, either in the reclining or upright position. The tray is not designed to hold the child in the chair. It is recommended that the high chair be used in the upright position only by children capable of sitting upright unassisted.

WARNING

Do not adjust height or recline while child is in infant swing or high chair position.
Stay near and watch child during use.

INFANT SWING POSITION

1) To prevent serious injury or death from infants falling or being strangled in straps:

- a) **ALWAYS** secure infant in the restraint system provided.
- b) Never leave infant unattended in swing.
- c) Discontinue use of swing position when infant attempts to climb out (approximately 9 months).

2) Keep swing seat fully reclined until the child is at least 4 months old **AND** can hold up head without help. If seat is too upright, infant's head can drop forward, compress the airway, and result in **DEATH**.

3) Remove toy bar if infant can touch toys.

HIGH CHAIR POSITION

FALL HAZARD: Children have suffered severe head injuries including skull fractures when falling from high chairs. Falls can happen suddenly if child is not restrained properly.

- 1) Always use restraints, and adjust to fit snugly.
- 2) Tray is not designed to hold child in chair.

2-In-1 Smart Voyager

Infant Swing Transitions to High Chair

Model #: 450G UPC #: 7 34970 00450 7
Serial #: 02-2018 Made in China

PRIMO

149 Shaw Avenue Irvington, NJ 07111 USA
www.primobaby.com Tel: (973) 926-5900

Cushion Care Instructions

100% Polyester Fabric

Care Instructions:

*Wash in cold water.

*Use mild soap or upholstery shampoo.

*Wash separately.

*Do not use bleach.

*Do not soak.

*Do not tumble dry.

*Do not dry clean.

*Dry flat in the shade thoroughly before reuse and avoid direct heat and sunlight.



LIMITED WARRANTY POLICY

PRIMO® warrants that the PRIMO® 2-in-1 Smart Voyager Swing and High Chair is accompanied with a limited warranty and is free from defects resulting from material, missing parts or workmanship for a period of 6 months from the date of original purchase. This warranty only applies to the original purchaser of the product. This LIMITED WARRANTY does not apply to defects from normal wear and tear, product misuse, product abuse, after market alterations or failure to follow instructions supplied for assembly, use, maintenance and care of the product.

If any defect is discovered during the 6 month warranty period, please call (973) 926-5900 or e-mail info@primobaby.com with a description of the problem and a request for return authorization of parts or replacement. If PRIMO® determines that a defect is covered by this limited warranty, PRIMO® will, at its option, either repair, send new parts or replace product. The Limited Warranty extends to repaired and replacement products and components only through the end of the original 6 month limited warranty period from the original date of purchase. When authorization is issued for replacement or parts, send (postage prepaid and insured) to:

PRIMO
149 Shaw Avenue
Irvington, NJ 07111 USA

The warranty details above shall be in lieu of any and all other warranties.

ALL OTHER WARRANTIES, INCLUDING IMPLIED WARRANTIES OF MERCHANTABILITY AND FITNESS FOR A PARTICULAR PURPOSE ARE HEREBY EXPRESSLY DISCLAIMED.

This warranty is valid only with an original dated receipt.

Your remedies under this warranty are limited to repair or replacement of the product or components of the product as determined by PRIMO®. In no event will PRIMO® or any of its retailers, dealers, distributors or resellers be liable for incidental, indirect or consequential damages relating to the product (including any repaired or replacement products or replacement components) or its use.

To activate this limited warranty, the purchaser must complete the enclosed product registration card and have returned it to the PRIMO® address on the enclosed warranty registration card within thirty (30) days of the original purchase date.

(PRIMO® 2-in-1 Smart Voyager Swing and High Chair PRI-450G)



2-in-1 Smart Voyager Infant Swing and High Chair Instruction Addendum

Battery Power

The Smart Voyager can operate on battery or AC/Outlet power. To use battery power, unscrew the battery enclosure's outer plate, and insert 4 AA batteries exactly as shown inside the battery enclosure. Screw the outer plate back into place. Refer to Step 11 in the instructions for more details and images.

With the battery pack filled and closed, take the short black cord and insert it into the corresponding power input (Fig. 1) on the underside of the back left leg.



Fig. 1

USB / MP3 Mode

The Smart Voyager can play MP3 files stored on a USB stick. Music files must NOT be in a folder, and must be in MP3 format (Fig. 2).

Insert the USB stick into the Control Arm, right under the keypad (Fig. 3).

Press the Mode button on the keypad or App to select USB Mode. Your stored MP3 music will start to play through the Smart Voyager's speakers.



Fig. 3

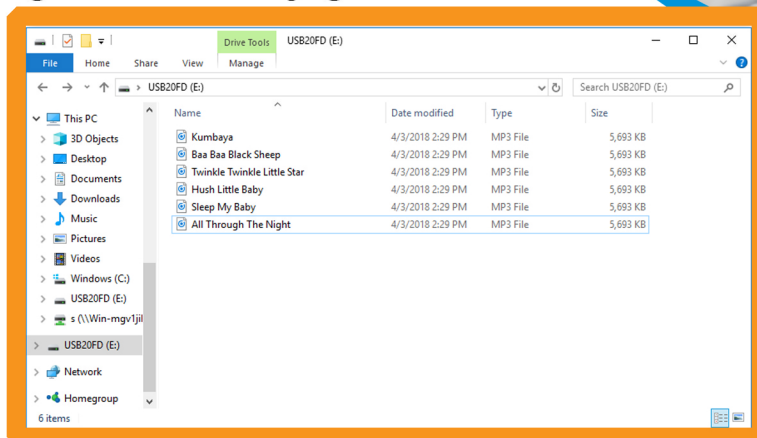


Fig. 2