

Vino Series

Vino Series Rails Mag (VR-MAG) Installation Instructions



Parts List

- (2) Rails
- (2) Wood Lags
- (1) Hex Key or (2) Nuts
- (1) Bridge
- Optional: M6 Drill Bit (recommended for installs of 10 or more)

Important Note: These installation instructions are only for attaching Vino Rail for Magnums to solid wood or plywood surface with a minimum thickness of 1/2 inches (12.7mm).

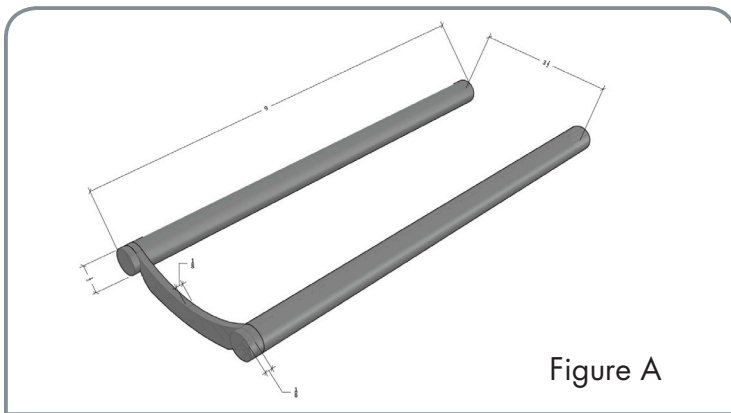


Figure A

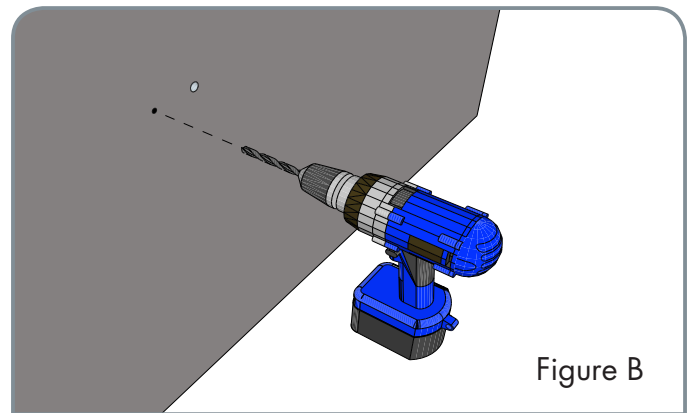


Figure B

1. Mark the mounting hole locations

Using the Bridge as a template, mark the center-point of the first rail and, using a level to ensure the marks are on the same horizontal plane, mark the center-point of the second rail (3.5 inches or 64.5mm away).

2a. Install the Wood Lag using M6 Drill Bit or Hex Key

Using either the provided hex key or optional M6 drill bit, drive the wood lag into the pilot holes until the coarse threads are no longer visible.

If using a hex key and the wood is too knotty or hard to drive the wood lag, see step 2b.

2b. Install the Wood Lag using Nuts

Thread the 2 nuts provided onto the fine threaded end of each wood lag. Using two 10mm wrenches, tighten the nuts against one another (Figure C), essentially creating a screw head. Then use one wrench on the outer nut and screw the wood lag into the pilot holes until the coarse threads are no longer visible.

Pro tip: Go slowly and ensure the wood lags remain level and straight.

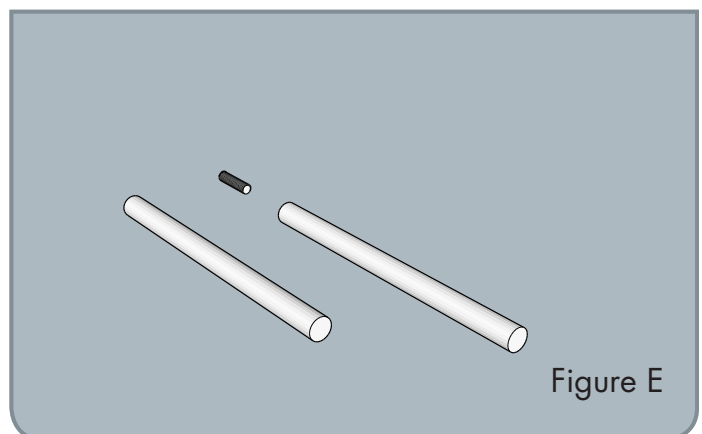
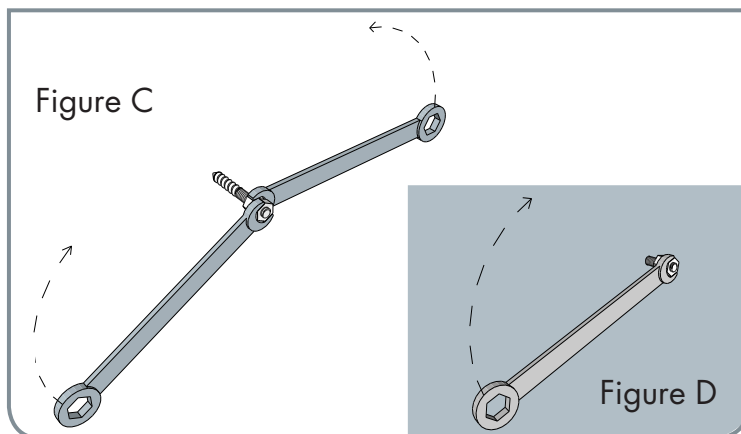
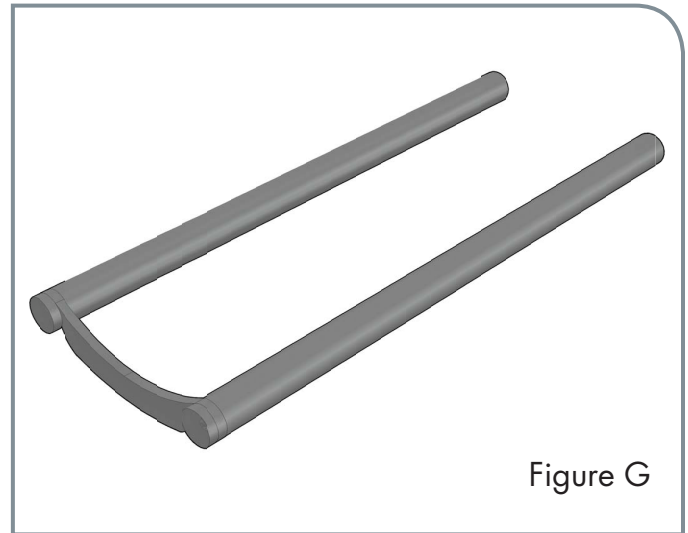
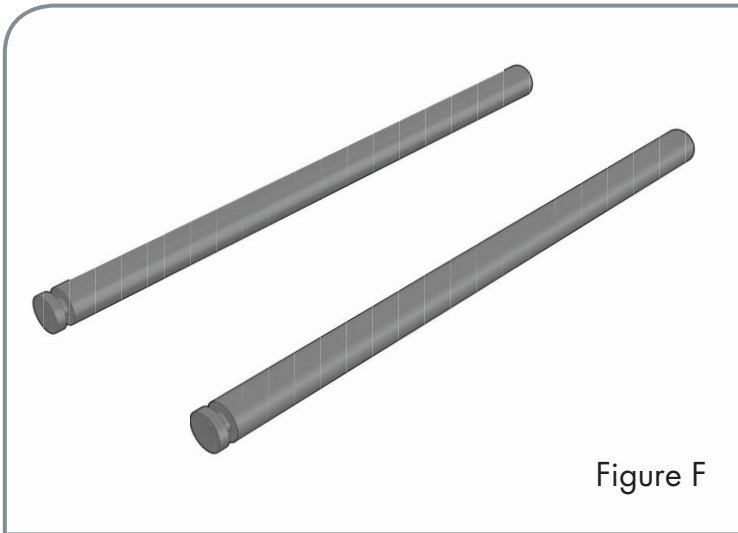


Figure E



3. Install Rails

Screw a Vino Rail Mag clockwise onto an anchor and firmly hand-tighten in place (Figure E). Repeat the process for the second Vino Rail.

4. Attach Bridge

Place metal bridge on the front of Vino Rail Mag for stability (Figure F and G).

5. Add wine.

Only the good stuff. This is a magnum wine rack, after all.

Additional Notes:

All installations into drywall require the use of collars and alternate fasteners to properly support the Vino Rails. This specific design is meant to hold Champagne and Magnum bottles. Any application outside of these parameters is not warranted by VintageView and may result in product and/or installation failure, property damage and/or bodily injury.

Maintenance and Care:

Vino Rail Mags should be regularly checked for tightness. Should any party to be found to be loose, tighten by hand until secure. If the face of the wall surface shows signs of breakage, discontinue use immediately until the wall may be adequately repaired. Vino Rail Mags may be cleaned with a damp cloth and mild dish soap - abrasive pads or steel wool should NOT be used as they will damage the finished surfaces of the parts.

