

Vino Pins (VP-MS & VP-X) Installation Instructions for Masonry Surfaces

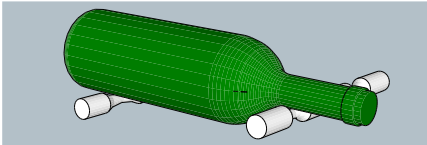
Starter Kit Included Parts: •1 Vino Pins Neck •1 Vino Pins Base •2 Wedge Anchor Bolts

Extension Kit Included Parts: •1 Vino Pins Neck Extension •1 Vino Pins Base Extension •2 Studs

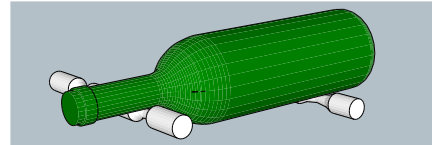
Required tools: •Level •Drill •1/4 inch (6.4mm) masonry drill bit •Hammer

Critical Note: These installation instructions are for attaching Vino Pins only to solid masonry or concrete surfaces. If your wall surface does not meet this minimum requirement, please contact your VintageView supplier to obtain appropriate mounting hardware for your wall surface. Installing Vino Pins on wall surfaces that do not meet this minimum criteria may result in failure of the installation and serious damage or injury.

Before you begin, choose the direction the bottle necks should point



If the bottle necks are to point to the right, the base pin must be installed to the left of the neck pin.



If the bottle necks are to point to the left, the base pin must be installed to the right of the neck pin.

1. Mark the mounting hole locations - Reference Figure A below to verify appropriate minimum clearances around the Vino Pins in the desired installation area. Pierce the template through the 2 marks corresponding with the bottle direction chosen earlier. Use a level to ensure the printed template is horizontal along the long edge and mark the hole locations a marker or pencil (Figure B).

2. Install the anchors - Drill a 1/4 inch (6.4mm) hole 1-1/2 inches (38mm) deep at the marked locations (Figure C). Remove as much of the dust from the holes as possible and push the Wedge Anchors into the holes. Gently tap the anchors into the holes with a hammer leaving approximately 7/8 inch (22mm) of the anchor exposed (Figure D).

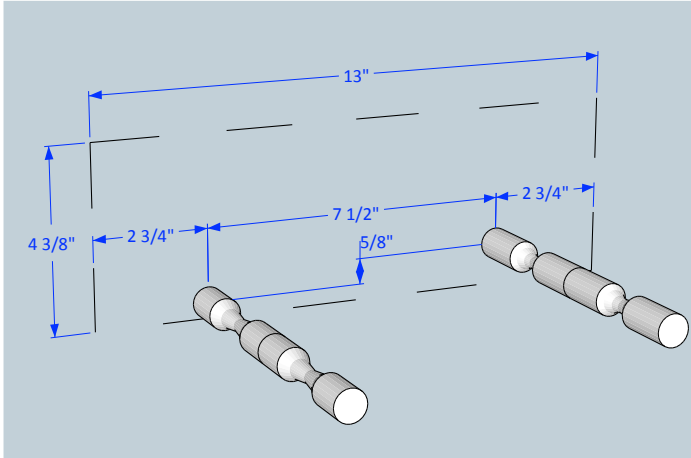


Figure A

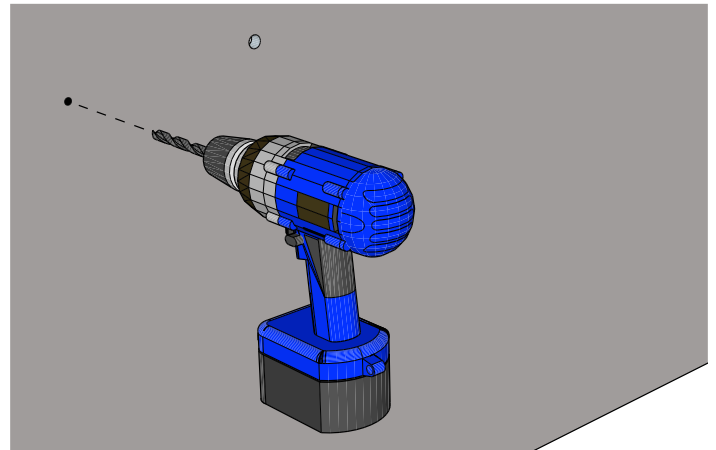


Figure C

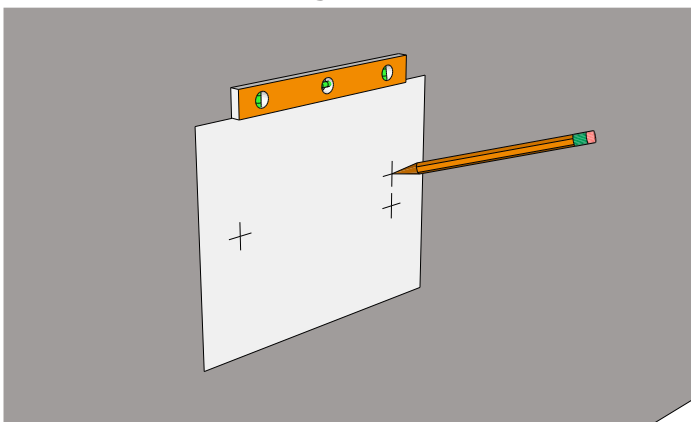


Figure B

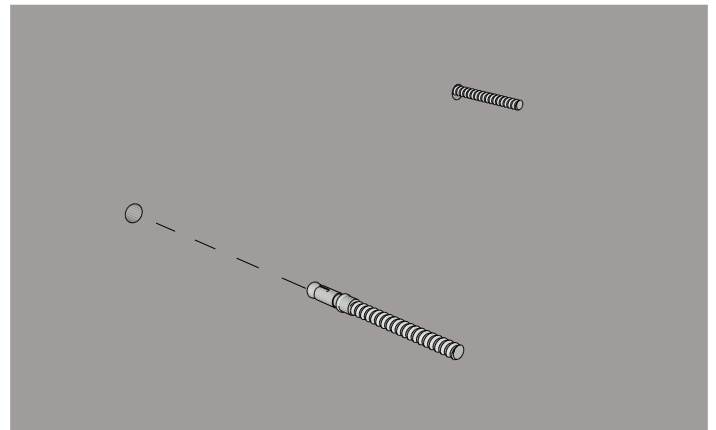
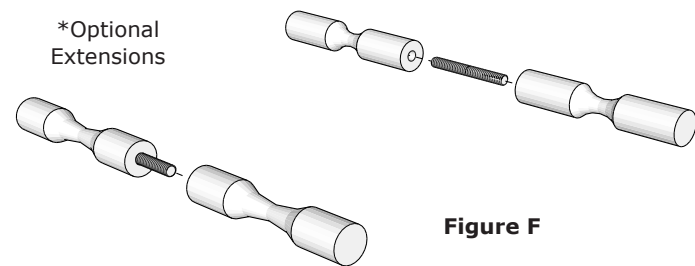
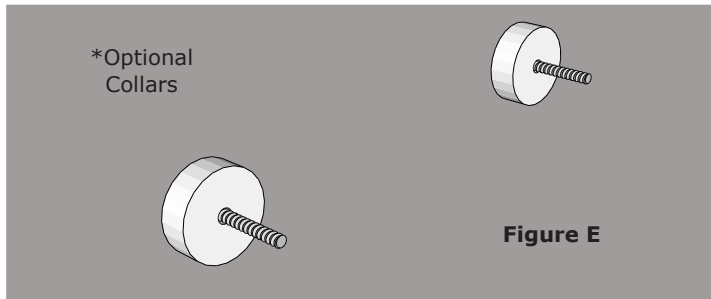


Figure D

4. **Assemble the Vino Pins** - If using Vino Pins Collar, place the collars over the bolts extending from the wall with the cavity facing the wall (Figure E). If using extensions*, thread a stud into one end of the base extension pin and screw the starter base Pin onto the remaining exposed end and firmly hand tighten (Figure F). Connect any additional extensions in a similar fashion and repeat this process for the neck pins.



***IMPORTANT NOTICE:** The Vino Pins are designed to accommodate a maximum of 3 bottles deep - 1 starter plus 2 extensions. Any application outside of these parameters is not warranted by VintageView and may result in product and/or installation failure, property damage and/or bodily injury.

5. **Install Pins** - Locate the lower of the 2 anchors in your wall and ensure that you have the base side Vino Pin assembly (the side with the longer curve in it). Screw the Vino Pin on clockwise and firmly hand-tighten in place (Figure G). Repeat the process for the neck pin in the higher anchor hole (Figure H).

