



VINTAGEVIEW®

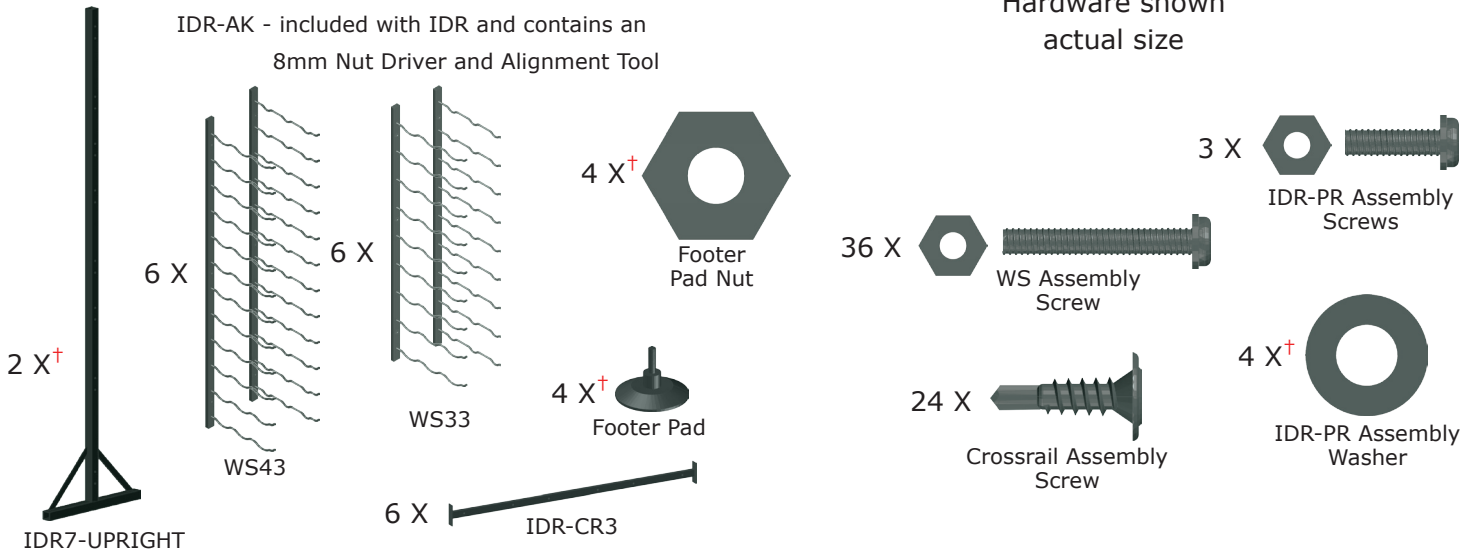
MOVING WINE STORAGE FORWARD

Wine Master Cellars, LLLP • 10645 E 47th Ave, Denver, CO 80239 • phone: 866.650.1500 • fax: 866.650.1501 • VintageView.com

7' X 3 Deep Island Display Rack (IDR73) Assembly Instructions

Required tools: 2 X 14mm (or adjustable) Wrench
Electric Screw Driver with #2 Phillips Bit
IDR-AK - included with IDR and contains an 8mm Nut Driver and Alignment Tool

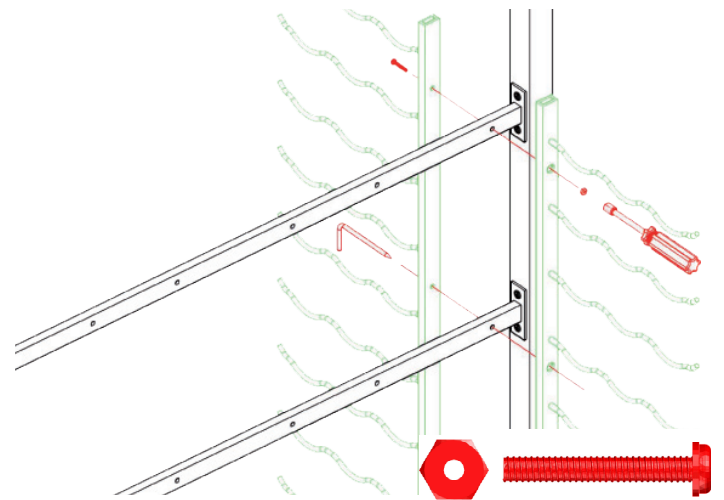
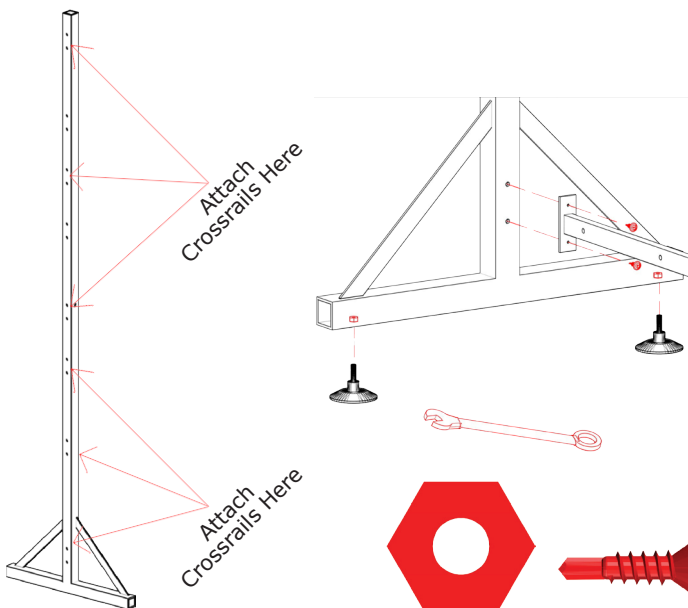
Hardware shown actual size



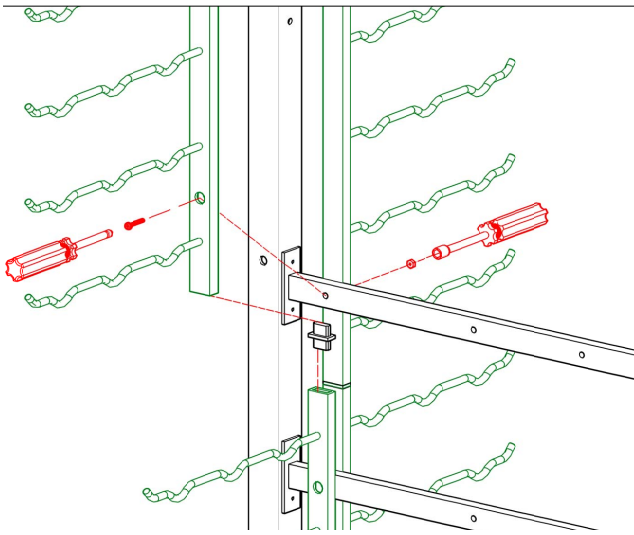
[†]IDR Extension packages contain only 1/2 the quantity of noted items.

1. Assemble frame - Insert and hold a footer pad nut inside the tube, aligned with the pre-drilled hole, and thread the footer pad into the nut. Tighten all of the footer pads with a 14mm wrench. Lay down one upright and attach all six crossrails using the provided crossrail assembly screws in the predrilled mounting holes noted below. Do not fully tighten at this point to allow for adjustments during assembly. Stand up the first upright and attach the second upright to crossrails.

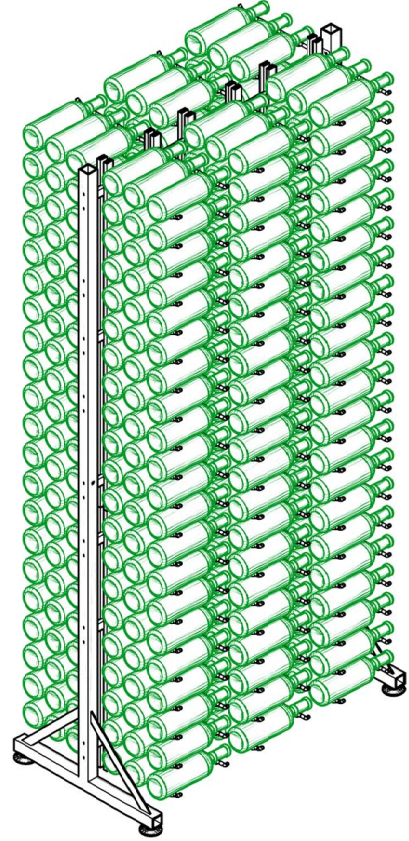
2. Attach lower racks to frame - Using two WS33 base cradling racks, and starting with the bottom three cross rails at the left side of the assembled frame, align the mounting holes in the racks with the holes on crossrails. Temporarily place alignment tool through center hole in first rack, crossrail and the center hole in second rack, as shown. Attach racks to crossrails as shown. After securing top and bottom of racks, remove alignment tool and replace with assembly screw. Repeat for each rack set, alternating between base and neck sets.



3. **Attach upper racks to frame** – Remove the plastic end plugs from the tops of the WS33 racks that are now attached to the frame. Remove the end plugs from the bottoms of the WS43 racks and replace with the provided couplers as shown. Using two WS43 base cradling racks, and starting with the bottom three cross rails at the left side of the assembled frame, align the mounting holes in the racks with the holes on crossrails. Temporarily place alignment tool through center hole in first rack, crossrail and the center hole in second rack, as shown. Attach racks to crossrails as shown. After securing top and bottom of racks, remove alignment tool and replace with assembly screw. Repeat for each rack set, alternating between base and neck sets.



4. **Finishing steps** – Fully tighten all screws (especially Crossrail Assembly Screws) and snap mounting hole covers in place. Fill with wine and enjoy!



Lifetime Warranty

Wine Master Cellars, LLLP (WMC) warrants to the original consumer-purchaser that this product shall be free from defects in workmanship and materials under normal and reasonable use for the lifetime of the product. WMC will, at its option, refinish or replace any product or part found to be defective during the warranty period and excludes installation charges, shipping costs, and the cost of removal and reinstallation. WMC may require you to return the part(s) claimed to be defective, for its inspection - freight or postage prepaid.

This warranty does not include the cost of any inconvenience or property damage due to the failure of the product and does not cover damage due to Devine Act, third party act out of the control of WMC, misuse, abuse, accident, or damage arising out of transportation of this product. THIS WARRANTY IS EXCLUSIVE AND IN LIEU OF ALL OTHER OBLIGATIONS, LIABILITIES OR WARRANTIES AND THERE IS NO WARRANTY OF MERCHANTABILITY OR FITNESS FOR A PARTICULAR PURPOSE.

In no event shall WMC be liable or responsible for INCIDENTAL OR CONSEQUENTIAL DAMAGES or for any other direct or indirect damage, loss, cost, expense, or fee. Neither the WMC distributor nor the retail establishment selling this product has any authority to make any warranties or to promise remedies in addition to or inconsistent with those stated above. WMC's maximum liability, in any event, shall not exceed the purchase price of the product paid by the original consumer-purchaser.

All matters regarding the sale of the product or this warranty shall be governed by the laws of the state of Colorado and the exclusive jurisdiction of and venue for any warranty claims or claims directly or indirectly related to the sale of the product shall be Colorado. Any claim, or action relating the purchase of the product or this warranty must be filed no more than six (6) months after the date the claim arose. All statute of limitations to the contrary are waived.

Some states do not allow the exclusion or limitation of incidental or consequential damages. In such case, the above limitations or exclusions may not be applicable. This warranty gives you specific legal rights and you may also have other rights which vary from state to state.

Please call us toll free at 866-650-1500 for assembly assistance or to request replacement parts.

VintageView.com