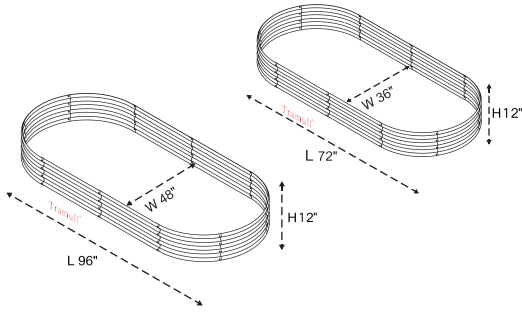


Oval Raised Garden Bed

Instructions for Assembly

Dimensions

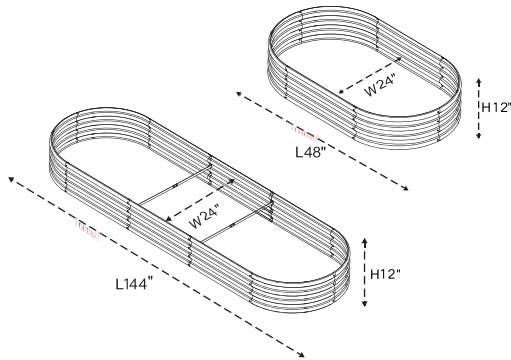
L96" x W48" x H12"
L72" x W36" x H12"



DUE TO THE MANUFACTURING PROCESS BED SIZING MAY VARY +/-2"(50MM)

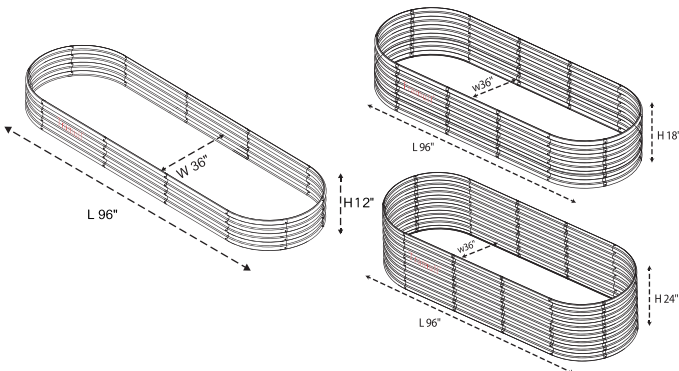
Dimensions

L48" x W24" x H12"
L144" x W24" x H12"



Dimensions

L96" x W36" x H12"
L96" x W36" x H18"
L96" x W36" x H24"



Tip: If possible, an **electric drill** could be recommended for shortening your installing time.

Tramull® provides different sizes, different colors, and different combinations of accessories, unleash your green thumb with Raised Garden Bed – where gardening dreams blossom into reality!

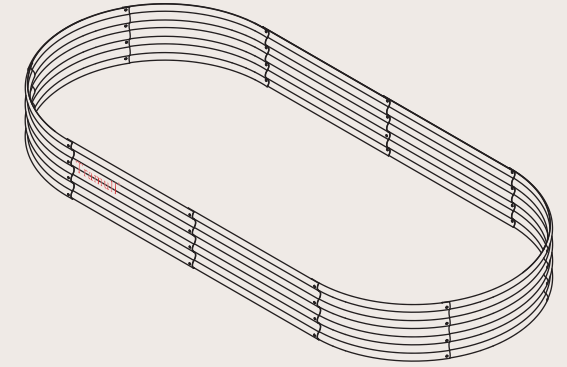
	LJL001	LJL002	LJL003	LJL004
Shape	Oval	Oval	Oval	Oval
Dimension	48"x24"x12"H	48"x24"x12"H	72"x36"x12"H	72"x36"x12"H
Capacity	60 Gal.	60 Gal.	135 Gal.	135 Gal.
Color	Grey	Green	Grey	Green
Material	Galvanized Steel	Galvanized Steel	Galvanized Steel	Galvanized Steel
Open Bottom	✓	✓	✓	✓
Weatherproof	✓	✓	✓	✓
Anti-Rust	✓	✓	✓	✓
Greenhouse	X	✓	X	✓
Plant Support	X	X	X	X
Gopher Proof Net	X	X	X	X
Package	2 Pack	1 Pack	2 Pack	1 Pack

	LJL005	LJL006	LJL007	LJL008
Shape	Oval	Oval	Oval	Oval
Dimension	96"x48"x12"H	96"x48"x12"H	144"x24"x12"H	144"x24"x12"H
Capacity	239 Gal.	239 Gal.	179 Gal.	179 Gal.
Color	Grey	Green	Grey	Green
Material	Galvanized Steel	Galvanized Steel	Galvanized Steel	Galvanized Steel
Open Bottom	✓	✓	✓	✓
Weatherproof	✓	✓	✓	✓
Anti-Rust	✓	✓	✓	✓
Greenhouse	X	X	X	X
Plant Support	X	✓	X	X
Gopher Proof Net	X	X	X	✓
Package	2 Pack	1 Pack	1 Pack	1 Pack

	LJL009	LJL010	LJL011
Shape	Oval	Oval	Oval
Dimension	96"x36"x12"H	96"x36"x12"H	96"x36"x18"H
Capacity	179 Gal.	179 Gal.	269 Gal.
Color	Grey	Green	Grey
Material	Galvanized Steel	Galvanized Steel	Galvanized Steel
Open Bottom	✓	✓	✓
Weatherproof	✓	✓	✓
Anti-Rust	✓	✓	✓
Package	2 Pack	2 Pack	1 Pack

	LJL012	LJL013	LJL014
Shape	Oval	Oval	Oval
Dimension	96"x36"x18"H	96"x36"x24"H	96"x36"x24"H
Capacity	269 Gal.	358 Gal.	358 Gal.
Color	Green	Grey	Green
Material	Galvanized Steel	Galvanized Steel	Galvanized Steel
Open Bottom	✓	✓	✓
Weatherproof	✓	✓	✓
Anti-Rust	✓	✓	✓
Package	1 Pack	1 Pack	1 Pack

Tramull®



Sturdy



Permeability



Protection



Weather Resistant



Rust Resistant



Easy Assembly

INSTRUCTION MANUAL

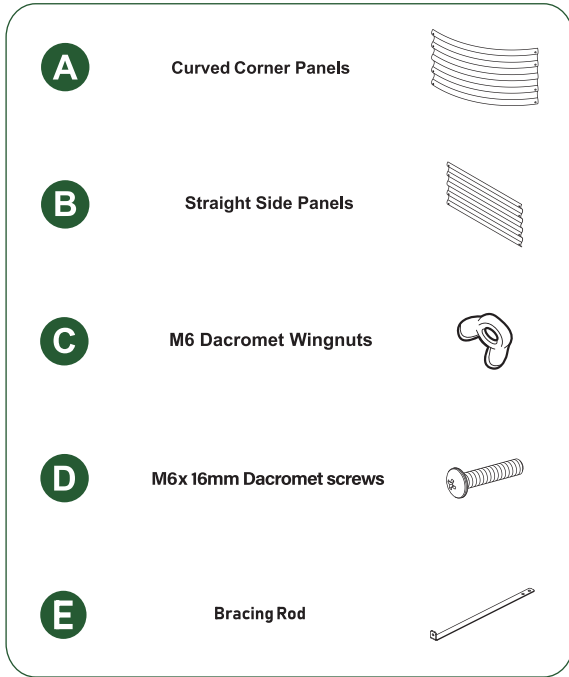
Galvanized Raised Garden Bed

LJL001 / LJL002 / LJL003 / LJL004

LJL005 / LJL006 / LJL007 / LJL008 / LJL009

LJL010 / LJL011 / LJL012 / LJL013 / LJL014

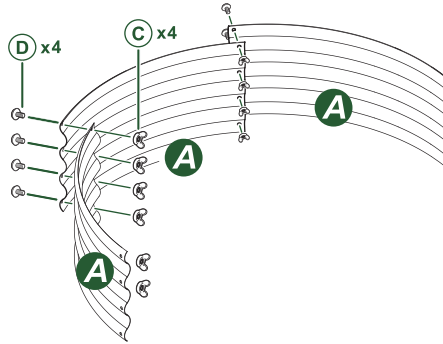
PACKING LIST



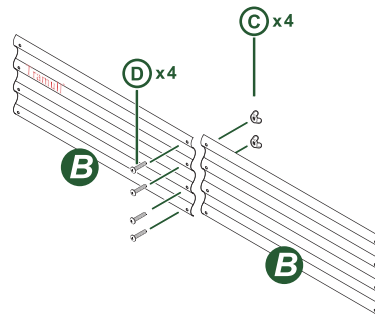
	Panel A	Panel B	Screws	Wingnuts	Bracing Rod
LJL001	8	4	48	48	0
LJL002	4	2	24	24	0
LJL003	12	8	80	80	0
LJL004	6	4	40	40	0
LJL005	12	8	80	80	0
LJL006	6	4	40	40	0
LJL007	4	6	44	44	4
LJL008	4	6	44	44	4
LJL009	12	12	96	96	0
LJL010	12	12	96	96	0
LJL011	6	6	72	72	0
LJL012	6	6	72	72	0
LJL013	6	6	72	72	0
LJL014	6	6	72	72	0

ASSEMBLY STEPS:

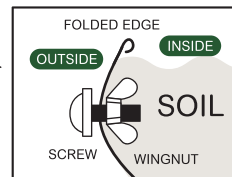
1 Tighten three A curved corner panels with four C wingnuts and four D screws. Repeat to assemble another three A curved corner panels.



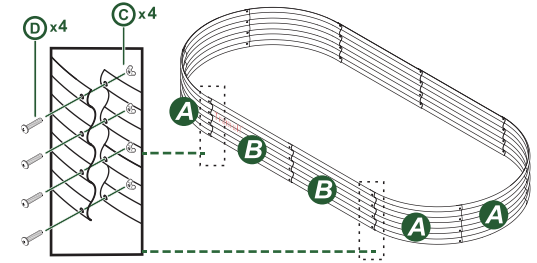
2 Tighten two B straight side panels with four C wingnuts and four D screws. Repeat to assemble another two B straight side panels.



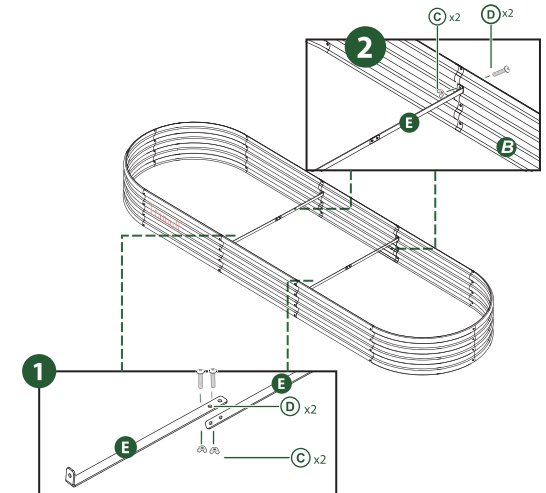
Make sure to keep the wingnuts inside and the screws outside, tighten them for reinforcement. Failure to tighten the wingnuts and screws to its maximum may cause failure



3 Interlock all the three A curved corner panels and two B straight side panels, tighten all the screws.



4 Secure four bracing rods in the 2nd connector holes.



NOTICE

- Do not stand on or use any part of this item as a step ladder.
- Firmly secure all bolts, screws before use.
- Reconfirm that all bolts, screws, and knobs are secure every 90 days.
- Be aware that some parts are heavy, the protective equipment such as closed toe shoes is recommended, a pair of gloves is provided.
- If any parts are missing, broken, damaged, or worn, stop using this product until repairs are made and/or factory replacement parts are installed.
- Do not use this item in a way inconsistent with the manufacturer's instructions.