

**X** ***XPEDITION***

**Owner's Manual**

---

***REFLEXION 32***



## ***Congratulations!***

*You have just purchased an Xpedition  
Reflexion 32.*

**Before setting up and operating your bow it is essential  
that you read the entirety of the Owner's manual.**

*Reflexion 32*



## **SAFETY & MAINTENANCE**

All models of Xpedition Archery bows should only be put in bow presses that compress by limb tip contact only.

- The strings have factory installed speed nocks. Changing or removing these will reduce the performance of your bow
- Avoid storing your bow in an environment where it is subject to high heat and always make sure the bow is dry when storing
- Never dry fire your bow. This will cause damage to your bow and make it unsafe to shoot. A dry fire will also void warranty
- Before shooting, inspect arrows to insure there are no defects or damages such as cracks in the shaft or nock
- Never attempt to shoot your bow without a nock set
- Never reduce the draw weight of the bow more than 10 pounds below the specified peak weight
- Never draw bow without cable stops installed properly.
- Anytime a mod screw is removed, a dab of blue locktight should be applied for reinstall

### **LIMITATION OF LIABILITY**

Xpedition Archery shall not be liable for any special or consequential damages that result from the performance and use of the products, even if Xpedition Archery has been advised of the possibility of such damages. Applicable law may not allow the limitations of exclusion or liability or incidental or consequential damages, so the above limitations or exclusions may not apply to you. Furthermore the buyer agrees to hold harmless Xpedition Archery and all associated parties from liability for any and all damage to persons or property, for any reason, from the use of this product.

### **REFLEXION 32 SPEC SHEET**

	<b>Reflexion 32</b>
<b>Axle to Axle (+/- .0625")</b>	32.625"
<b>Brace Height (+/- .0625")</b>	6.3125"
<b>Draw Lengths</b>	24.5-30"
<b>Draw Weights</b>	50, 60, 65, 70
<b>String</b>	57.125"
<b>Control Cable</b>	38"

# ADJUSTMENTS/TUNING

It is important that your new bow is adjusted to fit you properly. Your authorized Xpedition Archery retailer will be able to aid in properly fitting your bow to you to achieve maximum performance.

## XB2 Cam Draw Length Adjustments (refer to Figures 1-3)

- The XB2 cams have rotating modules that achieve a large range of draw lengths and cable stops to provide a solid back wall at full draw. These draw lengths are designated by the lettering system that is charted below (Figure 1). The top and bottom cams must be in the same settings for the bow to function properly.
- Each XB2 cam has a set of cable stops. The cable stops must be in the matching position as the mod position (mods in position A, cable stops in position A).
- ***Never draw the bow without the cable stops installed.*** The XB2 cam is designed with an anti lock up feature to prevent injury or damage, but always err on the side of safety and reinstall the cable stops.

Figure 1

Reflexion 32 XB2 Draw Length Chart		
Mod & Stop Position	Draw Length	Mod
A	30	A1/B1
B	29.5	
C	29	
D	28.5	A2/B2
E	28	
F	27.5	
G	27	
H	26.5	A3/B3
I	26	
J	25.5	
K	25	
L	24.5	

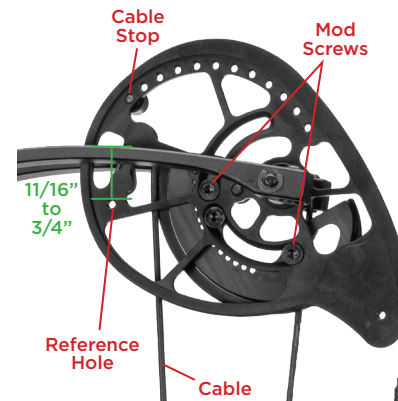
# ADJUSTMENTS/TUNING

To change draw lengths on the XB2 Cam, complete the following steps for both top and bottom cams:

1. Using a T-20 Torx wrench, loosen up the two mod screws that secure the mod to the cam (Figure 2).
2. Rotate the mod to the desired draw length setting. Setting is indicated by the mod position screw sitting in the lettered draw length position hole (Figure 3).
3. Tighten the two mod screws using a T-20 Torx wrench. Do not over tighten.
4. Using a T-10 Torx wrench, loosen and remove the cable stops from the cam.
5. Reinstall the cable stop in the position that matches the mod setting and tighten using a T-10 Torx wrench. Do not over tighten.

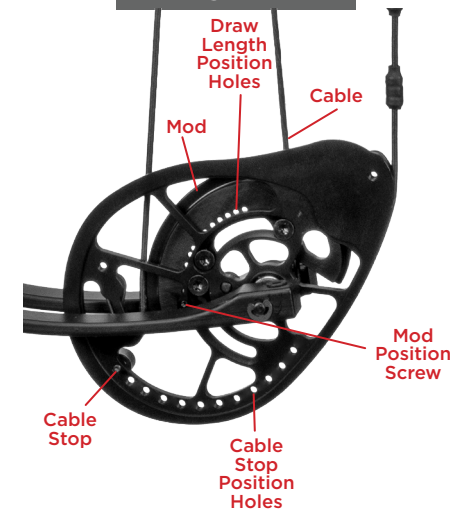
TOP CAM

Figure 2



BOTTOM CAM

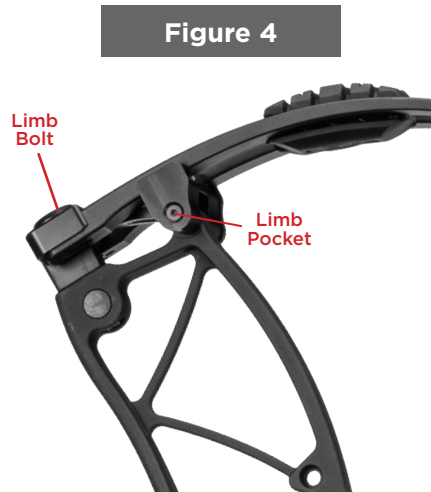
Figure 3



# ADJUSTMENTS/TUNING

## Adjusting Draw Weight

- The Reflexion 32 has ten pounds of draw weight adjustment. Bows will come set at peak weight from factory, but if you need to adjust the draw weight for a more comfortable shooting experience the limb bolts can be backed out up to four turns (2.5 lbs per turn). Do not take more than four turns out of the limb bolts and always adjust top and bottom limb bolts equal amounts.
- To adjust draw weight on the Reflexion 32 do the following:
  1. Insert a 3/16" allen wrench into the limb bolt and turn it clockwise to increase draw weight (unless already at peak weight) or counter clockwise to decrease draw weight.



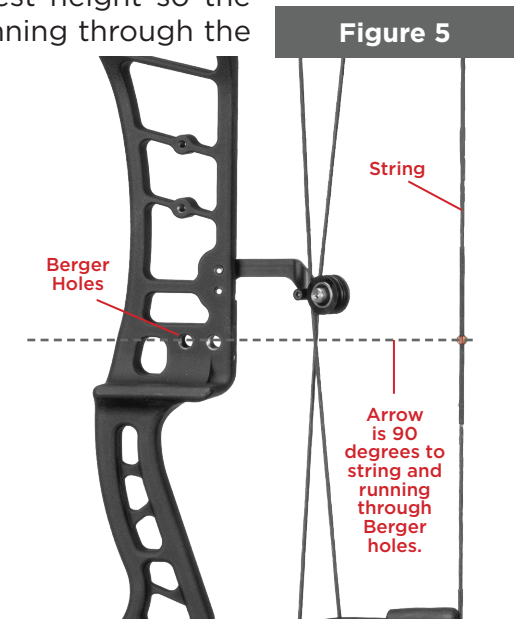
# ADJUSTMENTS/TUNING

## Cam Sync and Timing

- The XB2 cam is designed to be slaved to each other using two control cables.
- The cable stops on the top and bottom cams should come in contact with the cables at the same time when the bow reaches full draw. The best way to check this is with a draw board.
- If any adjustments are needed to get the cable stops to contact the cables at the same time, we suggest using a linear bow press that compresses the bow from the limb tips (Last Chance Archery style press)
- For peak performance, Reference hole measurement should be 11/16" - 3/4" from the outside of the limb to the edge of the reference hole. (Figure 2)

## Arrow Rest and Nocking Point Setup

- Set nocking point and rest height so the center of the arrow is running through the center of the berger holes or the center of the arrow is running through the top edge of the berger holes.
- Make sure the arrow is 90 degrees to the string when the bow is at brace and on the arrow rest
- Set rest center shot at 13/16" from the front of the riser. *Center shot is the measurement from the inside of the sight window to the center of the arrow, when the arrow is nocked and resting on the arrow rest.*



# ADJUSTMENTS/TUNING

## Paper Tuning

- When the arrow rest is installed correctly and a properly spined arrow is selected, it's time to paper tune
- Paper tuning allows the archer to see the flight characteristics of the arrow when it's coming out of the bow and correct them if needed

### Follow these steps to paper tune:

1. Stand minimum 3-7 ft from a paper tuning rack with a target behind it
2. Shoot an arrow through the paper
3. Make the following adjustments if needed based on the tear through paper
  - a. **Nock High Tear:** Move rest up, Move nocking point down, Take twists out of control cable at top cam, Add twists to control cable at bottom cam
  - b. **Nock Low Tear:** Move rest down, Move nocking point up, Add twists to control cable at top cam, Remove twists from control cable at bottom cam
  - c. **Nock Right Tear:** Move rest out (away from riser), use a weaker arrow spine, Increase peak weight, Shim cams to the right (last resort)
  - d. **Nock Left Tear:** Move rest in (toward riser), Use a stiffer arrow spine, Decrease peak weight, Shim cams to the left (last resort)

Scan code to view  
our tuning page!



# WARRANTY INFORMATION

This Xpedition Archery bow has a limited lifetime warranty against defects in materials and workmanship to the original registered owner when purchased at an authorized Xpedition Archery retailer or directly from Xpedition Archery, for the life of the bow. This warranty includes all bow parts, except the string, cables, decals, rubber string suppressors, rubber dampeners, cable guard, speed nocks, and cosmetic appearance (chips, dings, scratches) caused by normal use and wear.

Each bow has a serial number found on the riser, below grip, which will be required along with the original owner's full name to obtain this warranty service. If you experience the need for repairs you need to consult your local authorized Xpedition Archery retailer or Xpedition Archery directly to determine if repairs are necessary. The authorized Xpedition Archery retailer or Xpedition Archery may charge for service work that accompanies warranty fulfillment.

**NOTE:** *Xpedition Archery reserves the right to make substitutions on warranty coverage for any reason, including but not limited to availability of parts and/or decorating finishes.*

**Contact Xpedition Archery Customer Service Department at 844-263-3665 or [warranty@xpeditionarchery.com](mailto:warranty@xpeditionarchery.com).**

Warranty registration must be completed within 30 days of purchase to validate the warranty. Registration can be mailed or completed electronically here:



Purchaser's Name: \_\_\_\_\_

Model Number/Name: \_\_\_\_\_

Serial Number: \_\_\_\_\_

Price Paid: \_\_\_\_\_

Date of Purchase: \_\_\_\_\_

Address: \_\_\_\_\_

City: \_\_\_\_\_

State: \_\_\_\_\_

Zip Code: \_\_\_\_\_

Email: \_\_\_\_\_

Phone: \_\_\_\_\_

**Mail to:**  
*Xpedition Archery, P.O. Box 260, Decorah, IA 52101*

# NOTES

---

---

---

---

---

---

---

---

---

---

---

---

---

---

---

---

---

---

---

---

---

---

---

---



*Thank you for  
purchasing from  
Xpedition Archery!*