

SMART, SECURE, AND  
**UNBREAKABLE**

**NOKĒ HD AND HD+ SMART PADLOCKS**

The HD and HD+ Padlocks are keyless, heavy-duty locks with an industrial strength body and intelligent core. Together with the Nokē mobile app and software platform you gain complete visibility and control over who, when, and where, your locks are being used, from anywhere in the world. These powerful locks are tamper-resistant, work in harsh environmental conditions, and are available with a shrouded shackle for extra protection.



**SPECS**



**SHACKLE THICKNESS**  
6.35mm, 8mm, or 10mm



**WEIGHT**  
HD: 555g / 19.5oz / 1.2lbs  
HD+: 670g / 23.6oz / 1.5lbs



**OPERATING TEMPERATURE**  
-40°f to 165°f / 40°c to 74°c



**PLASTIC COVER**  
Can be added for extra layer of protection against heavy and continuous impact



**SHACKLE MATERIAL**  
Boron-hardened steel



**BATTERY LIFE**  
3+ years



**BODY**  
Hardened steel with electroless nickel plating



**COMPATIBILITY**  
iOS: iPhone 4S or newer  
Android: Devices with BT 4.0, Android 4.4 or newer



**STRENGTH TEST RATING**  
CEN grade 4



**BATTERY TYPE**  
1/2 AA or CR2



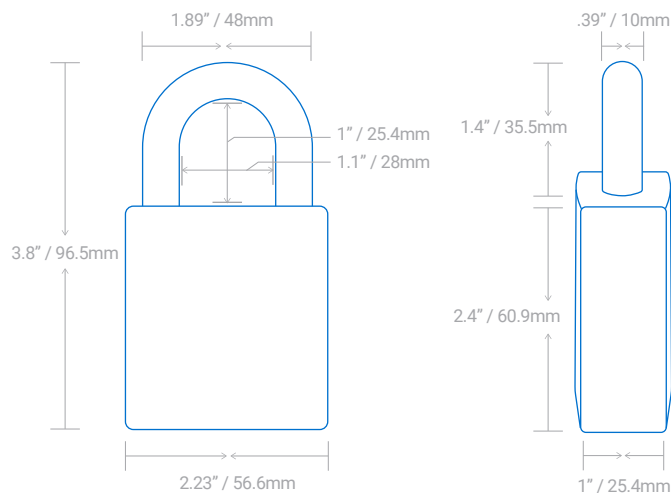
**WEATHER RESISTANCE RATING**  
IP67



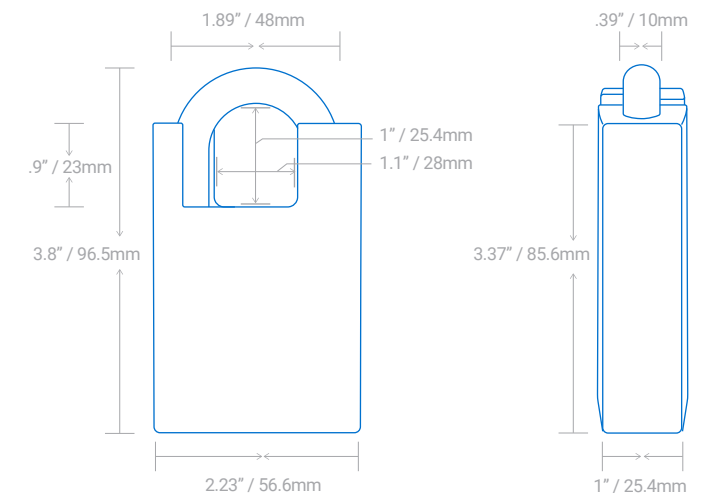
**CERTIFICATIONS**  
CE FC RoHS REACH

**DIMENSIONS**

**HD SMART PADLOCK**



**HD+ SMART PADLOCK**



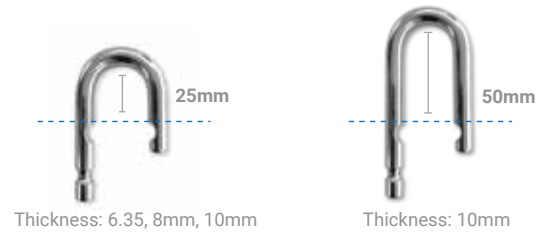
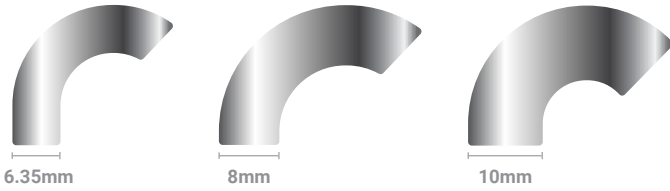
## SHACKLE OPTIONS

### REMOVABLE SHACKLE WITH A VARIETY OF SHACKLE SIZES

Choose your shackle thickness and height

- ALL THICKNESSES AVAILABLE IN 25MM HEIGHT
- 10MM ALSO AVAILABLE IN 50MM HEIGHT

**SHACKLE AVAILABLE IN 3 THICKNESSES:** (Shown in actual thickness)



## NOKĒ SMART SECURITY PLATFORM

Through an easy to use mobile app and a cloud-based web portal, access-control management is fast, simple and secure.



### TRACK DATA

- View lock activity in real-time
- View lock and user history
- Track locks and create geofences
- Monitor and manage audit trails
- See all active locks
- See lock activity according to time



### MANAGE USERS

- Create users and groups
- Customize access permissions
- Send notifications
- See and manage user and group activity

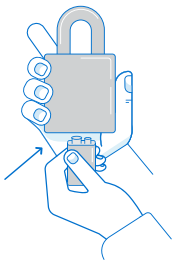


### CONTROL LOCKS & FOBs

- Open some Nokē lock types
- Add and manage all locks
- Issue Bluetooth enabled fobs

## JUST IN-CASE... WE'VE GOT YOU COVERED

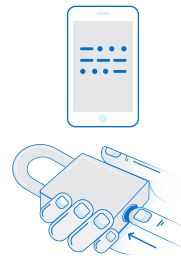
We've designed some clever features to not only provide you with one smart lock, but to give you some extra peace of mind, if needed.



### WITHOUT LOCK POWER?

#### Nokē Jump-Start Feature:

In the rare event that you lose lock power, this allows you to touch an external 9V battery to the base of the lock to give your lock a jump-start. Once you're jumped, open the lock with the app or Quick-Click code.



### PHONE DIE OR WITHOUT ONE?

#### Nokē Quick-Click Feature:

Any user who may not have a smart device can simply key in a series of short and long clicks using a custom code.

## SECURITY, COMPLIANCE, AND PRIVACY STANDARDS

Nokē customers operate in nearly every industry and region across the world, including highly-regulated industries such as utilities and government applications. The privacy and safety of our customers is our top priority, so we ensure our products and services contain the highest level of security.



### BLUETOOTH 4.0

Bluetooth Smart encryption technology



### CLOUD-BASED KEY TRANSFER

Keys are stored on secure servers to prevent compromising sensitive data



### CRYPTOGRAPHIC KEY PROTOCOL

Keys assigned based on permission levels and used to encrypt all communication to and from the lock



### THIRD-PARTY TESTING

The Nokē system has passed rigorous third-party testing



### END TO END ENCRYPTION

Double-secured transmissions using end-to-end 128-bit AES encryption



### CUSTOM SECURITY LAYER

Additional custom-built encryption protocol prevents Bluetooth replay attacks