

PROLiNK®

www.prolink2u.com

Your Inspirations.
Our Innovations.

PQC1006

Qi Wireless Car Charger



Foreign Object Detection



Advanced Protection Technology



Universal Phone Compatibility

The PROLiNK® PQC1006 10W Wireless Car Charger is Qi-certified and an adjustable car-charger where you can widen the arm grips and automatically accommodate the various sizes of the phones. This also comes with detachable dashboard, windshield-mounted charger with a strong suction cup and air vent clip for quick and easy mounting. Besides, the wireless car charger allows you to rotate 360 degrees for multiple viewing. It enables users to charge the device more effectively and provide a better charging experience on-the-go.

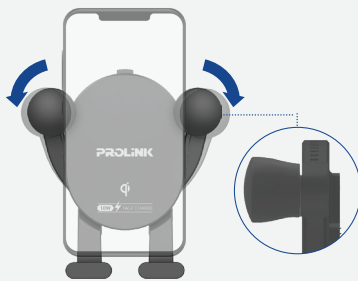
The PROLiNK PQC1006 is compatible with iPhone 11/11 Pro/11 Pro Max/ X/ XR/ XS/ XS Max/ 8 /8 Plus, Samsung S10/S9/S9+/ S8/S8+/Note 9/ 8/7/6, Xperia XZ2 and all Qi-enabled devices.

Qi-Certification No: 7483

- Qi-certified - Compatible with all Qi-enabled phones
- Up to 10W charging output
- Fast Charge
- 70% Charging Efficiency

- Advanced Protection - Over Voltage Protection, Short Circuit Protection, Over Temperature Protection and Over Current Protection

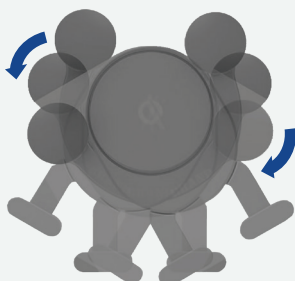
Gravity Car Phone Holder with soft rubber arms to lock in various phone sizes.



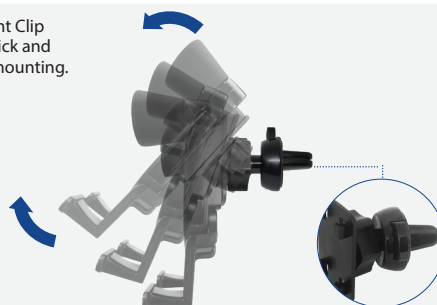
Detachable dashboard and windshield car mount with strong suction cup.



360 degree panel rotation for multi-angle viewing.



Air Vent Clip for quick and easy mounting.





PRODUCT LIABILITY INSURANCE

Insured by Singapore's NTUC Income Insurance Co-operative Ltd ("Insurer"), with a worldwide coverage (excluding the United States and Canada), and a product liability coverage of up to SG\$1,000,000

- Fida International (S) Pte Ltd shall submit all claims to the Insurer for assessment on the merits of the case
- Claimant will be notified by Fida International (S) Pte Ltd and/or the Insurer on the success of the claim in due course

Model	Input	Charging Standard	Output Power	Case Compatibility	LED	Qi Certified
PQC1006	5V/1.65A, 9V/1.75A (max)	Standard: WPC - Qi Charging Efficiency: ≈70% Frequency: 110-205 KHz	5/7.5/10W	Up to 3mm	-	✓
PQC501	5V/1.8A (max)		5W		✓	✓
PQC1001	5V/1.65A, 9V/1.75A (max)		5/7.5/10W		✓	✓
PQC1002	5V/1.65A, 9V/1.75A (max)		5/7.5/10W		✓	✓
PQC1003	5V/1.65A, 9V/1.75A (max)		5/7.5/10W		-	✓
PQC1005	5V/1.65A, 9V/1.75A (max)		5/7.5/10W		✓	✓
PQC1501	12V/1.8A (max)		5/7.5/10/15W		✓	✓
PQC1502	12V/1.8A (max)		5/7.5/10/15W		✓	✓
PQC1503	12V/4A (max)		(5/7.5/10/15W) x 2		✓	✓

* 7.5/10W fast charging mode requires a Quick Charge 2.0/3.0 USB Charger (not included).

Specifications

MODEL / PRODUCT NAME	PQC1006 Wireless Car Charger	
Charging Standard	Standard: WPC - Qi Charging Efficiency: 70% Frequency: 110-205 KHz	
Input	5V/1.65A, 9V/1.75A (Max)	
Output	5/7.5/10W	
Case Combability	Optimal performance: Up to 3mm	
Qi Certified	Yes	
LED	Yes	
Protection Requirement	Short Circuit Protection	✓
	Over Current Protection	✓
	Over Voltage Protection	✓
	Under Voltage Protection	✓
Dimension:	90.9*37*98.8mm	
Weight:	76±3g	
Packaging Content	<ul style="list-style-type: none"> • Wireless Car Charger • Air Vent Mount • Dashboard / Windshield Mount 	<ul style="list-style-type: none"> • USB Type-A to USB Type-C Cable (1000mm) • User Manual