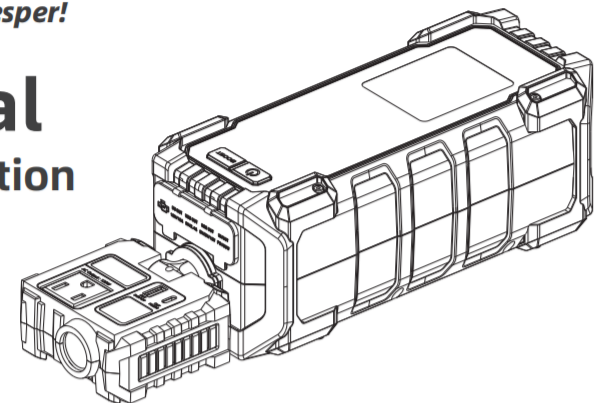


YESPER
Don't Say Desperate, Say Yesper!

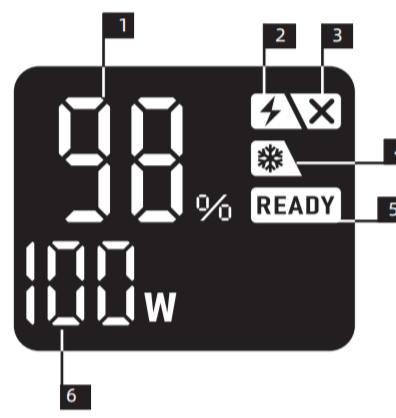
User Manual

Portable Power Station



Model: Armor Pro /Armor Pro 2

Display Screen



- Battery capacity percentage:** battery percentage of charge/discharge
- Low current mode:** support charging for the devices that need light charging current like headphone, smart watch, etc. Press POWER and BOOST button simultaneously for 2-3s to turn on this mode.
- "+" and "-" poles of battery clips reversed**
- Battery Low Temperature Reminder:** the temperature is too low, please move the host to a warm place before charging the host
- Ready to start your vehicle**
- Charge Power/Discharge Power**



Error Message

Error Message	Cause	Error Solution
X + Beeping	Reverse connection	Please correct the connection between jump clamps and battery terminals
READY (blinks)	vehicle battery dead	Press "BOOST" for 2-3s, when "READY" icon is on, start the vehicle within 30s.
"1" + Beeping	The temp of jump starter is too low or high.	Restore the temp of jump starter to 32°-113°F.
"2" + Beeping	Overcurrent protection	Stop starting your vehicle, protection mode will disappear after 30s.
"3" + Beeping	If the host starts vehicles more than 4 times within 10mins, it entered safe mode.	Stop starting your vehicle, safe mode will disappear after 10mins.

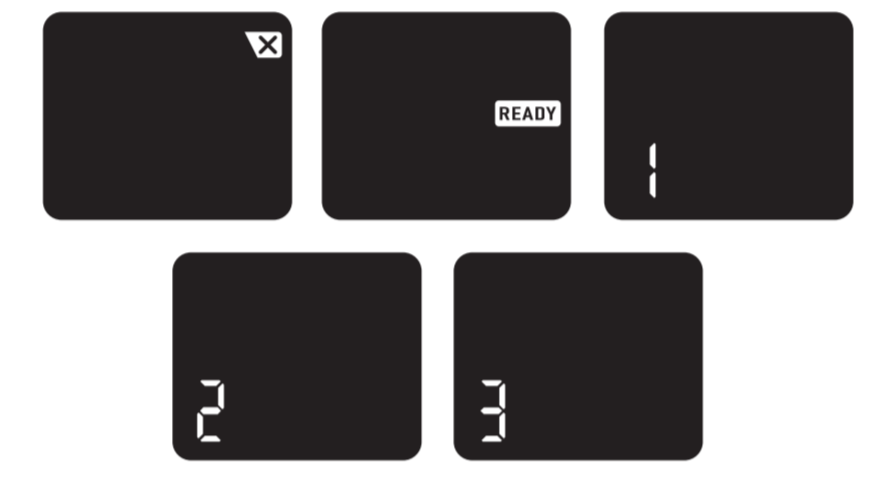
If the problem persists, stop using the jump starter and contact our customer service directly at cs@yes-per.com, we will do our best to solve the problem within 24 hours.

Charge It First !

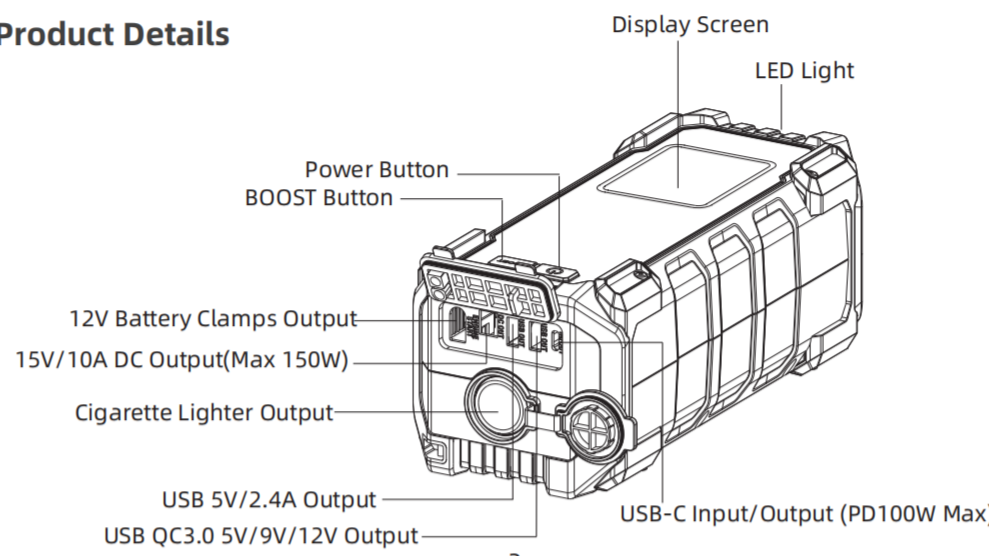
Before reading through the manual, you can begin to charge up your Armor Pro/Armor Pro 2 with the car charger provided.

Warning

This host is with 12V batteries. It may be dangerous if it is used with other types of batteries. Read and understand the safety information before using the portable power station. Failure to follow the safety information may cause damage to the jump starter, and may also result in electric shock, explosions, fire, property damage, and personal injury.




Product Details



- Power Button
- BOOST Button
- Display Screen
- LED Light
- 12V Battery Clamps Output
- 15V/10A DC Output(Max 150W)
- Cigarette Lighter Output
- USB 5V/2.4A Output
- USB QC3.0 5V/9V/12V Output
- USB-C Input/Output (PD100W Max)

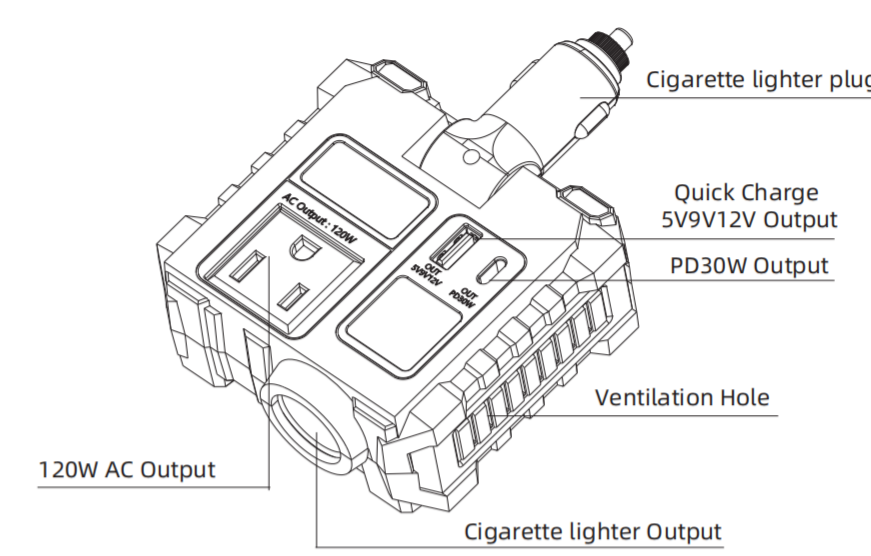
Support PD100W Max Speed Charging

This host can be charged with car charger provided or quick wall charger (Quick Speed Wall Charger not included).



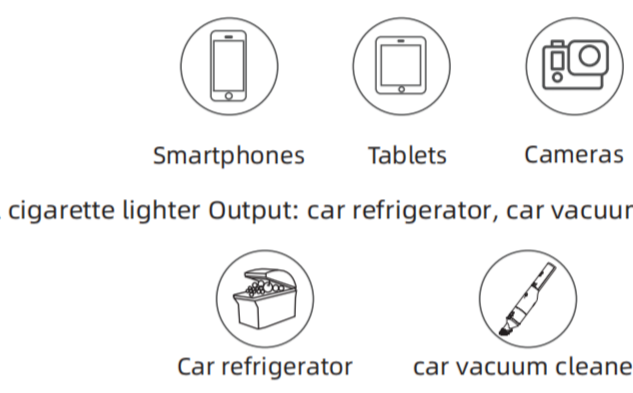
Charging Devices

Armor Pro/Armor Pro 2 is a multi-functional product with a wide variety of output. Note that it can not support appliances rated over 300W simultaneously.

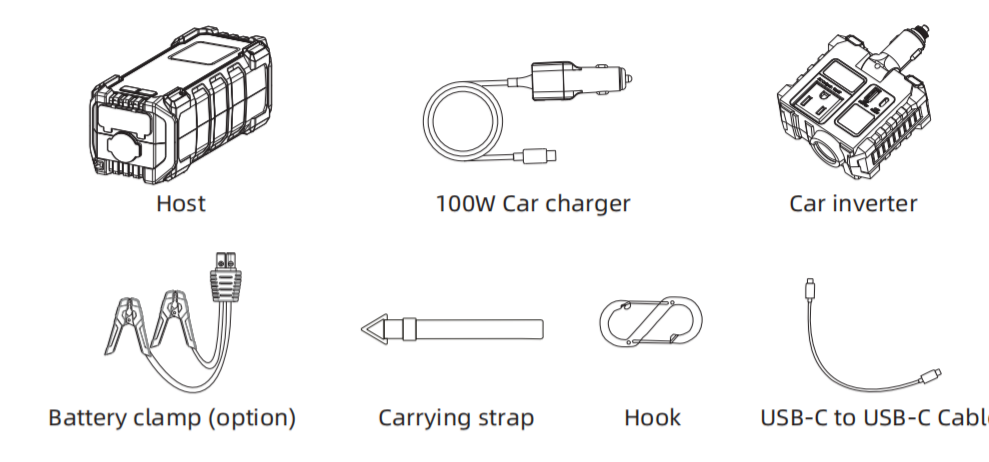


- 120W AC Output
- Cigarette lighter plug
- Quick Charge 5V9V12V Output PD30W Output
- Ventilation Hole
- Cigarette Lighter Output

- USB/USB-C Output: smartphones, tablets, smartwatches, digital cameras, e-readers and more.
- 15V/10A DC Output: Connect the optional switch cable 15V electronics product.
- 15V/10A cigarette lighter Output: car refrigerator, car vacuum cleaner and more.



What's In The Box




Car Inverter

Car inverter include can convert the DC electricity to AC electricity . It can be widely used in mobile phones,laptops, digital cameras, cameras, lighting lamps, electric shavers, CD players, game consoles, handheld computers, electric tools, car refrigerators and various low-power appliances(for equipment with maximum power of 120W).

How to Start a 12V Vehicle (Make sure battery power > 20%)

Note: Do not press the BOOST button before connecting the vehicle battery correctly.

- Connect Vehicle Battery
- READY is on
- Start Vehicle Engine



How to Turn On/Off the LED Flashlight

Press the power button turn the host on, then press the power button for 2s to turn on the Flash light. When the flashlight is on, click the power button to switch between standard, sos and strobe mode.

IP65 Water Resistant

The host can be protected against water jets from any angle, but it is not allowed to be immersed in water.

Technical Specification

Model	Armor Pro / Armor Pro 2
Size	238*103*98mm
Battery Capacity	240Wh/ 299.52Wh
Output USB-C	PD100W Max (5V/3A, 9V/3A, 12V/3A, 15V/3A, 20V/5A)
Output USB1	QC3.0 18W Max (5V/3A, 9V/2A, 12V/1.5A)
Output USB2	5V/2.4A
Output DC	15V/10A
Output AC	120W Max
Input	PD100W Max
Full charging time	3 hours
Starting current	500A(Armor Pro)/600A(Armor Pro 2)
Peak current	2500A(Armor Pro)/3000A(Armor Pro 2)
Operating temperature	-20°C - 60°C
Discharge temperature	0°C - 45°C

Toxic and Harmful Substances

Composition and amount of toxic or harmful substance in this product					
Pb	Hg	Cd	Cr(VI)	PBB	PBDE
0	0	0	0	0	0

0: Indicate that the content of harmful substances in all homogeneous materials is all lower than the prescribed limit of MCV (the standard 2002/95/EC/RoHS)

FAQ

Q1: How do I store it?
A: The Operating temperature is between -20°C(-4°F) and 60°C(140°F). If the ambient temperature is higher than 60°C/140°F, the internal construction of the battery cells may be damaged, it may become unsafe. So do not store it under direct sunlight.

Q2: How do I know if the host is connected to the vehicle correctly for a jump-start?
A: With the battery clamps connected to the vehicle battery, if the "READY" appears on the screen, it means that the connection is correct. If X appears on the screen, which means it's connected reversely.

Q3: My vehicle can not be started, what should I do ?
A: Recharge the host fully, and try to press the "BOOST" button after connecting the vehicle battery correctly. "READY" will appear on the screen, then start the vehicle within 30s. If "READY" flashes on the screen, press "BOOST" for 2-3s, when "READY" icon is on, start the vehicle within 30s. If it still does not work, contact us at: cs@yes-per.com.

Q4: What should I do if this host can not be charged?
A: If the Battery Low Temperature Reminder is on, this means the temperature is too low, please move the host to a warm place before charging the host.

Q5: Can the AC port power a fridge or air conditioner?
A: As long as your device power is lower than or equal to 120w.

Q6: Why can not my equipment (< 120W) be used?
A: The peak power of some equipments is higher than their standard power. You can restart and try several times to solve the problem.

Q7: How to turn off this host?
A: This unit will be turned off automatically in 30s when it's not in used. Or you can press POWER button for about 10s to force shutdown.

Q8: How often does this host need to be recharged?
A: It would be best to recharge it every 3 months.

Q9: Why it shuts off in 30s when charging other devices?
A: This host may shut off automatically when charging for the devices that need light charging current, such as headphone, smart watch, etc. There is minimum load current limitation(200mA) on this host, so please use low current mode when you are facing such problem.

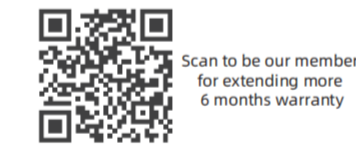
Warning

- Please read this manual carefully before use.
- Do not use it with other electronic products that exceed the requirements of product specifications to avoid electric shock and product damage.
- Do not use damaged output cables or damaged plug-in terminals with this product, so as to avoid electric shock and damage.
- Please keep the product dry and do not place it in water or wet place to avoid electric shock and product damage.
- Do not insert foreign matters into the input and output interfaces to avoid product damage.
- Please prevent the product from falling from height.
- Do not use the product in the environment of too high or too low temperature, which may lead to product function failure, short service life or damage.
- Please do not expose the product to fire or temperature higher than 60°C(140°F), otherwise it may cause fire, explosion and other safety accidents.

- Do not expose the product to rain, snow, frost, greasy and other harsh environments, which may lead to product function failure short service life or damage.
- Do not attempt to disassemble the product or allow non professional technicians to disassemble it, otherwise it may cause electric shock, fire and even explosion unknown risks such as explosion.
- When the product is not in use for a long time, please charge the product every 12 months to prevent power shortage.
- Please stay away from children to reduce possible risks.
- Under extreme conditions, battery leakage may occur. If you accidentally touch hands or exposed parts of your body, Please wash immediately with soap and water. If you accidentally enter your eyes, immediately flush your eyes with cold water for at least 1 minute, and then see a doctor immediately.
- Lithium battery products should be disposed of according to local regulations at the end of product life.

WARRANTY INFORMATION:

12+6 Months Online After-Sales Service
Within 12 months, we will provide timely and effective online after-sales service after your purchase. If you register on our official store: yes-per.com and become our member customer, you will get extra 6 months service, total 18 months.




Scan to be our member for extending more 6 months warranty

30 Days Money Back Guarantee
Within the first 30 days after your purchase, you can apply return for it through YOUR SELLER when you have any issue.

30 Days to 12 Months (18 Months for Member Customers)
We will replace the defective unit due to manufacturing issues with a new one within 12 months; if you are our member customer, within 18 months.

Attention

- Do Not Submerge in Water
- Do Not Disassemble
- Do Not Drop
- Avoid Extreme Temperatures
- Do Not Place Near or Into Fire



Customer Service

- 12+6 Months Limited Warranty Service
- Lifetime Technical Service
- Feel Free to Contact Us cs@yes-per.com
- For FAQ and More Information yes-per.com

YESPER
Don't Say Desperate, Say Yesper!

Thank You for Choosing



Made in China