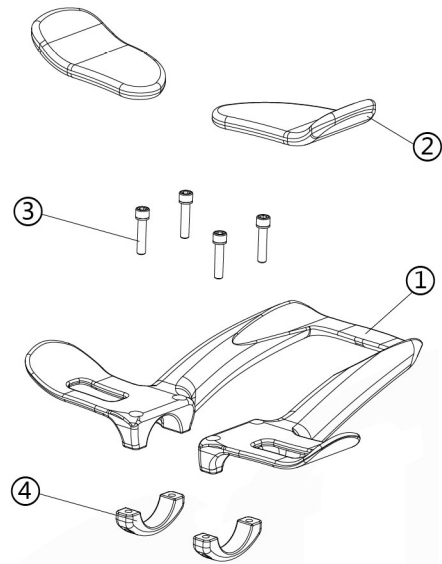


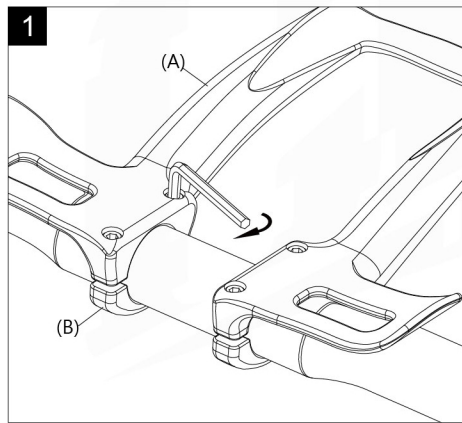


Prime Noosa Clip on Aero Handlebar Assembly Manual



Part

- ① Carbon extension x1
- ② Elbow pad x2
- ③ M5 bolts (Length 25mm) x4
- ④ Lower clamp x2



Installation Instructions:

1. Inspect the product for any defectives before installation and please contact the dealer or distributor if any.
2. Mount the (A) aerobar body on the handlebar clamping area with the (B) lower clamps by tightening the M5 bolts. (Max. torque 5Nm).
3. Assemble elbow pad.

