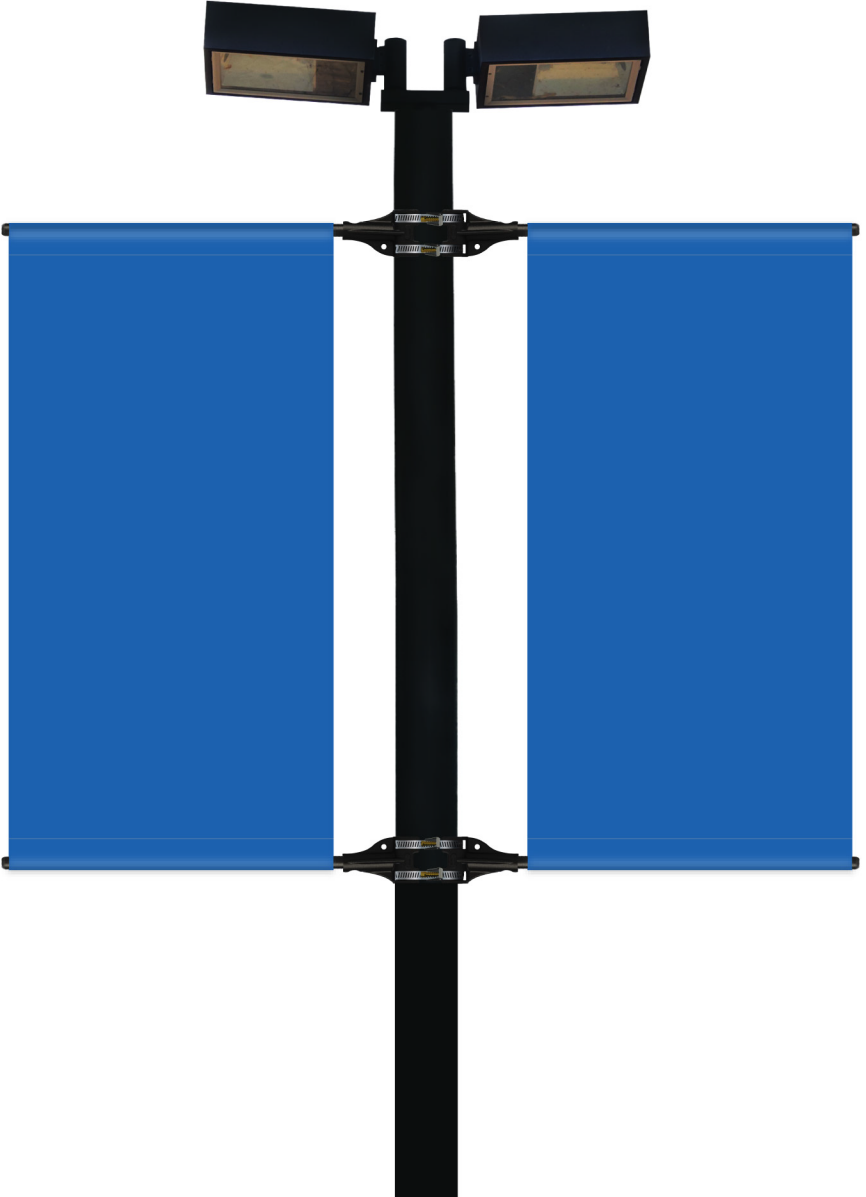
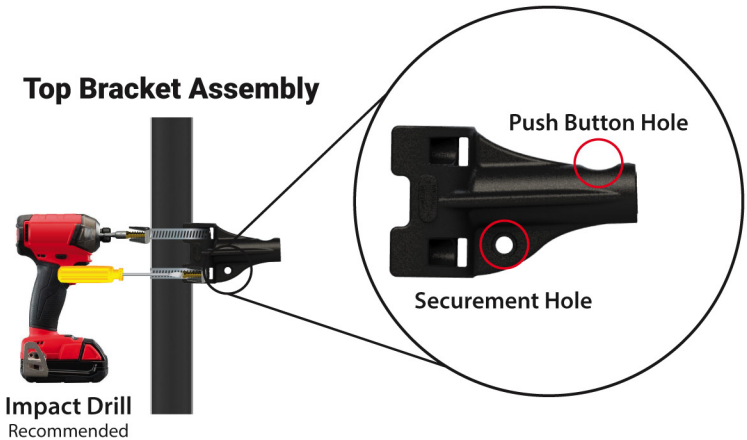


Strong Arm Bracket Kit Instructions

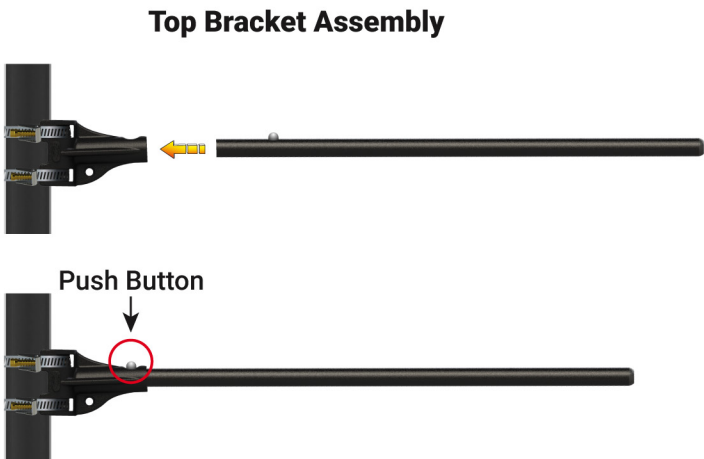


- 1 Position securement hole (shown below) on underside of top bracket. Run each band clamp through the slots in the Strong Arm Bracket (add second bracket for mounting two banners now if applicable) and around the pole. Lift the tightening screws perpendicular to the band clamp and run the end of the band clamp through the screw housing. Pull tight and push the screw down parallel to the strap to lock it in place.

With a 5/16" (or 8mm) drill nut driver bit (recommended), nut driver, or screwdriver, tighten the 2 band clamps around the pole to ensure it doesn't come loose. Leave room between band clamp screw housing and the bracket for movement while tightening. If pole is square, avoid tightening where screw housing final position is on a corner. Its final position should be on a flat section of pole.

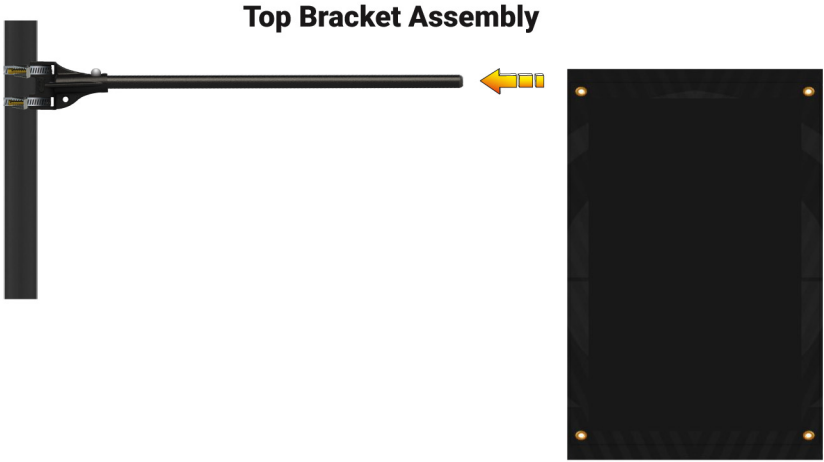


- 2 Install top banner arm into the bracket making sure the push button is engaged through the top hole in the bracket.



3

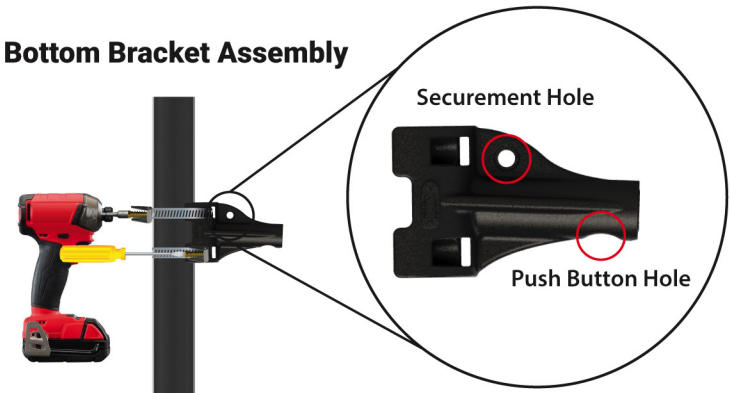
Slide banner sleeve onto the top banner arm.



4

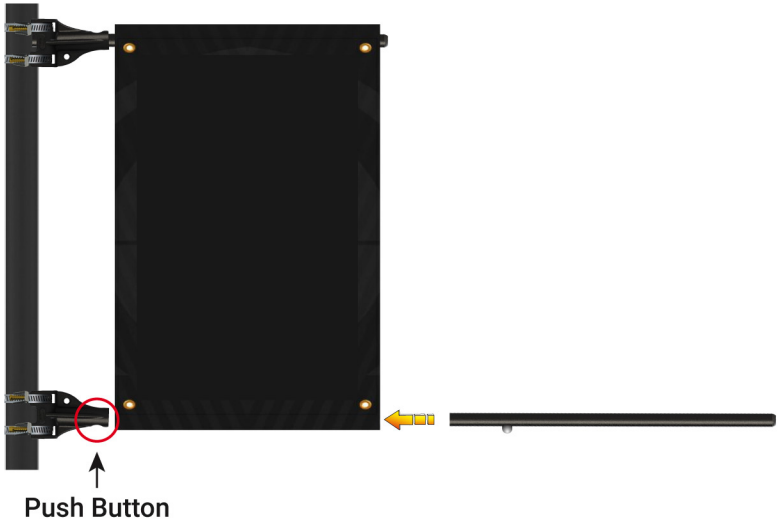
Flip other bracket so the securement hole is on the top of the bracket and push button hole is on the bottom. Repeat step 1 to install bottom bracket with the two band clamps.

DO NOT TIGHTEN. KEEP LOOSE.



5

Install bottom banner arm through bottom sleeve and into the bracket making sure the push button is engaged.



6

Slide bottom bracket assembly down the pole until the banner is taught, and fully tighten bottom band clamps. The banner feet should sit tightly against the pole surface. If there is a gap, adjust up/down accordingly and re-tighten. Next, see note below, and then attach zip ties from the securement holes to the grommets to keep banner from sliding off in the wind.



Note: Do not overtighten zip ties resulting in banner resting on top of bracket.

