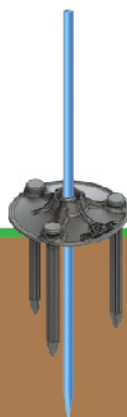
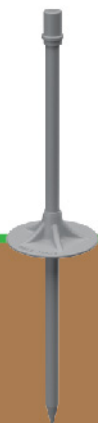


**STEP**  
**3**

# Mounting



(GREY STAKE)

# POLE PLATE GROUND KIT

RECOMMENDED TOOLS

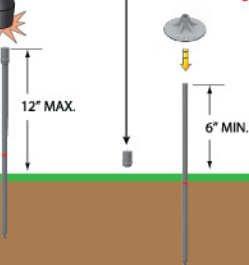


1 PLACE POUNDING CAP ON TOP OF POLE



2 POUND IN STAKE BY HITTING CAP. ALWAYS USE CAP TO PREVENT STAKE DAMAGE.

3 POLE PLATE SLIDES OVER STAKE  
(Remove Pounding Cap)



POLE SLIDES OVER STAKE RESTING ON POLE PLATE  
(Keep Pounding Cap to reuse for additional stakes, or re-mounting kit.)

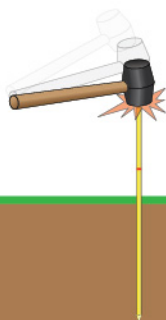
(YELLOW STAKE)

# STAKEMATE GROUND KIT

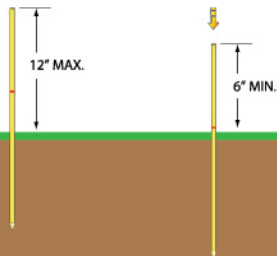
RECOMMENDED TOOLS



1 POUND STAKE INTO GROUND



2 STAKEMATE SLIDES OVER STAKE.  
(Not Included With All Kits)



POLE SLIDES OVER STAKE RESTING ON STAKEMATE

(BLUE STAKE)

# MEGAPLATE KIT

C-CLIP NOT NECESSARY OR INCLUDED



RECOMMENDED TOOLS



SILVER SPIKE

DO NOT USE MEGAPLATE BALL

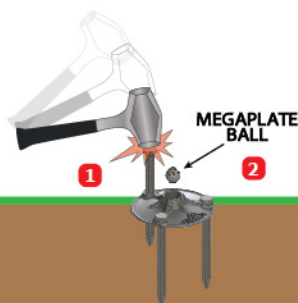
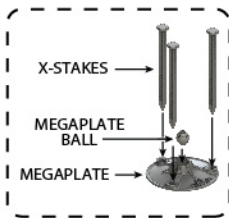


POLE

X-STAKES

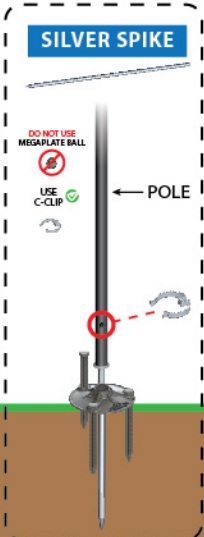
MEGAPLATE BALL

MEGAPLATE



ALUMINUM STAKE

10" MAX.  
6" MIN.



# POLE BRACKET KIT - BANDED

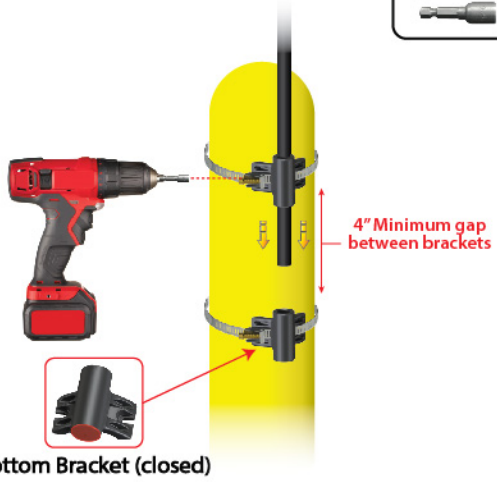
<b>RECOMMENDED TOOLS</b> 	
	5/16 drill bit 



Top Bracket  
**(OPEN)**



Bottom Bracket  
**(CLOSED)**



4" Minimum gap between brackets

Bottom Bracket (closed)

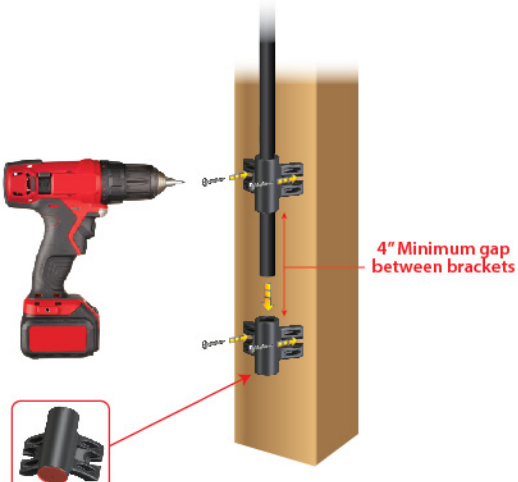
# POLE BRACKET KIT - SCREWS



Top Bracket  
**(OPEN)**



Bottom Bracket  
**(CLOSED)**

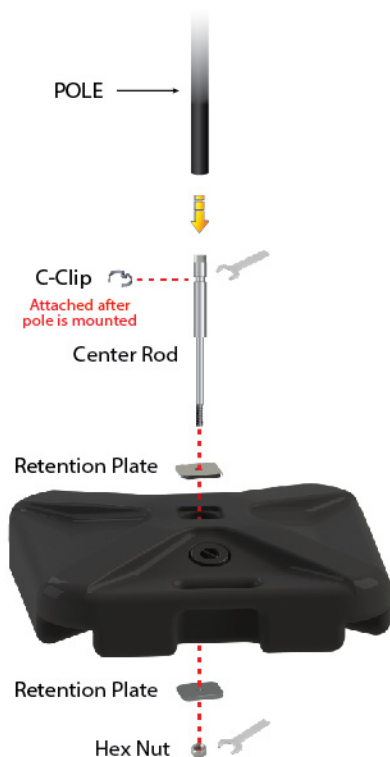


4" Minimum gap between brackets

Bottom Bracket (closed)

# WEIGHTED BASE KIT

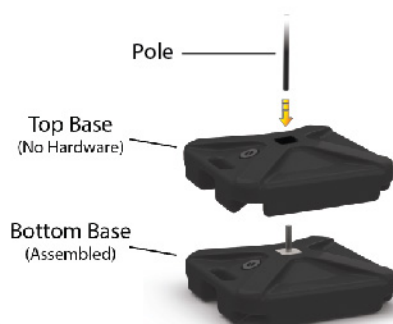
## RECOMMENDED TOOLS



## WEIGHTED BASE DOUBLE STAND

### Recommended for:

- Heavier Duty Kits
- Cluster Pole Kits



# FOLD-OUT STAND KIT

① Put pin through both arms. Hand tighten to start then use key to fully tighten.

② Rotate upper and lower arms to create + shape.

③ Place pole over pin. Add C-Clip\*.

\*NOTE: C-Clip not required for all kits.

