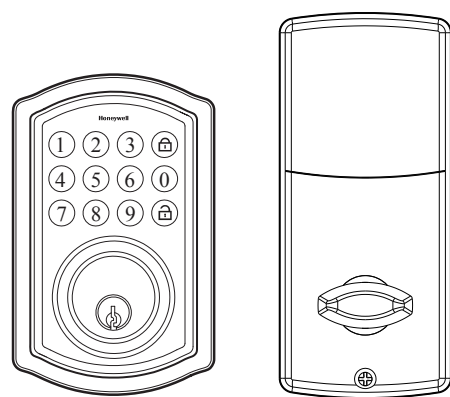
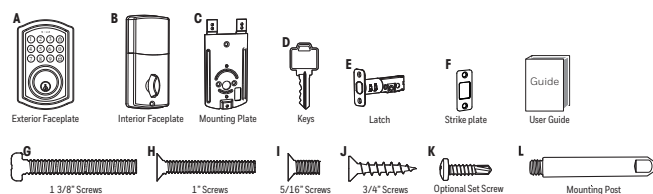


Digital Keypad Deadbolt



Package Includes:

- 1 - Exterior Faceplate
- 1 - Interior Faceplate
- 1 - User Guide
- 2 - Keys
- 1 - Strike Plate
- 1 - Mounting Plate
- 1 - Latch
- 1 - 3/8" Screws
- 2 - 5/16" Screws
- 2 - 1" Screws
- 4 - 3/4" Screws
- 2 - Mounting Post
- 1 - Optional Set Screw

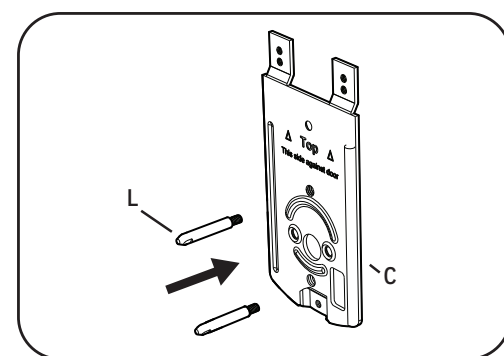
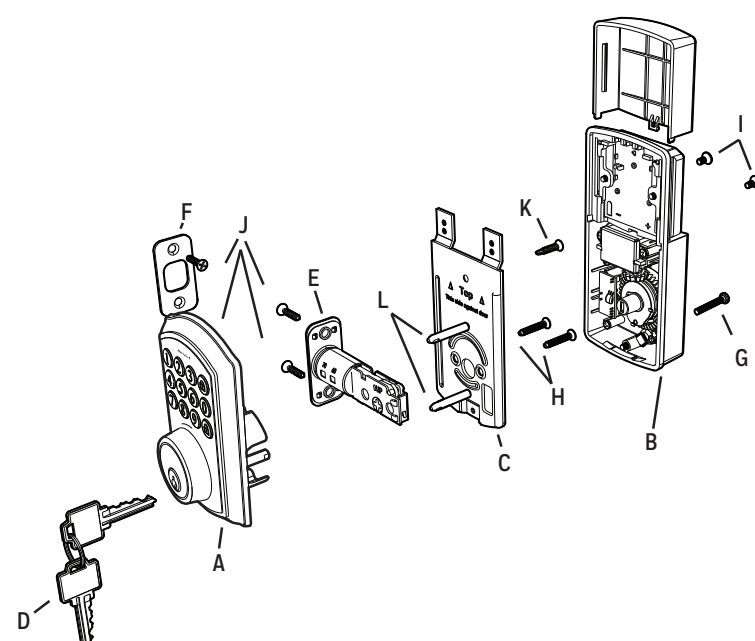


Please carefully check the above list to confirm all items have been received. If any items are missing, please contact Consumer Assistance. (See page for contact information)

Read this manual carefully before installing and operating!

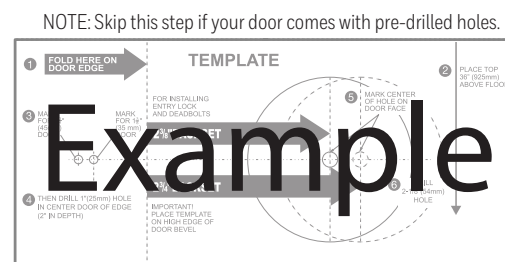
Models 8635024, 8635026, 8635028

1 Installation Overview

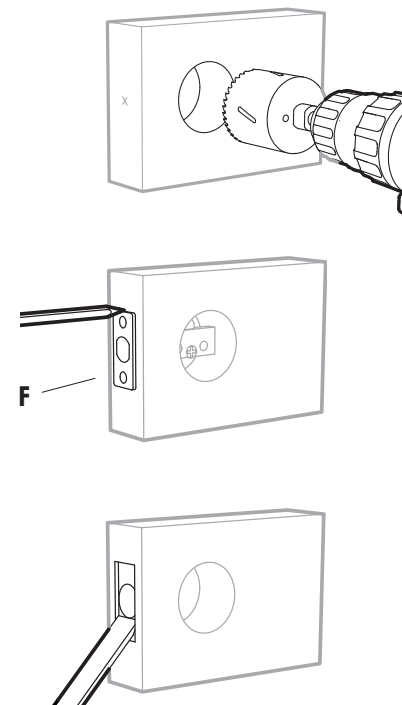


NOTE: Screw Mounting Post (L) into holes on Mounting Plate (C)

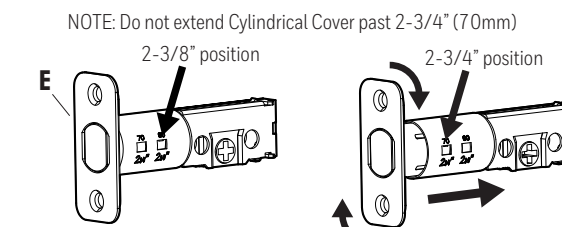
2 Preparing Door



Refer to Template included for Door Prep Instructions

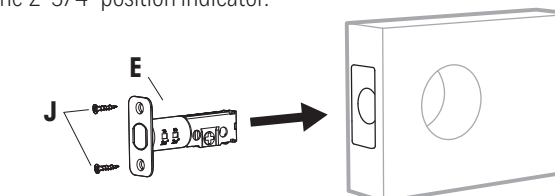


3 Install Enclosed Latch and Strike Plate



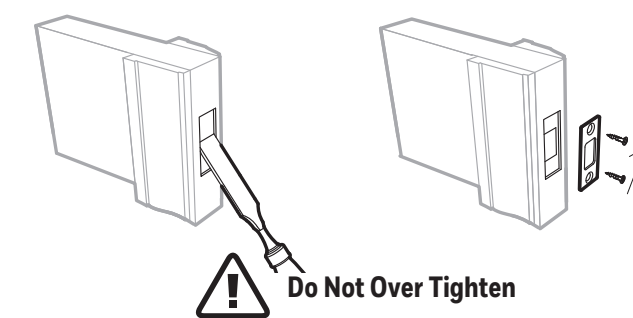
TO CONVERT FROM 2-3/8" (60mm) BACKSET TO 2-3/4" (70mm) BACKSET

1. Hold latch with numbers facing forward and thumb pressing on the bolt.
2. Rotate the cylinder cover clockwise.
3. Pull and twist the extension plate all the way out.
4. Rotate the cylinder counter clockwise so that the marking aligns with the 2-3/4" position indicator.



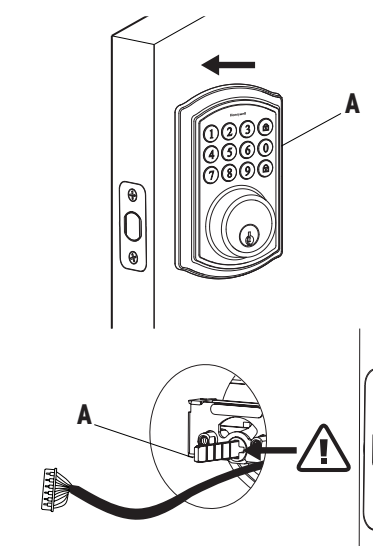
Deadbolt Latch Must Be Retracted During Installation

Strike Plate

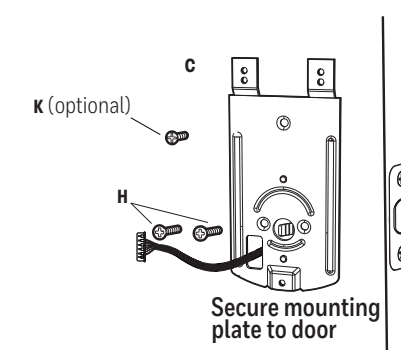


Do Not Over Tighten

4 Install Exterior Assembly

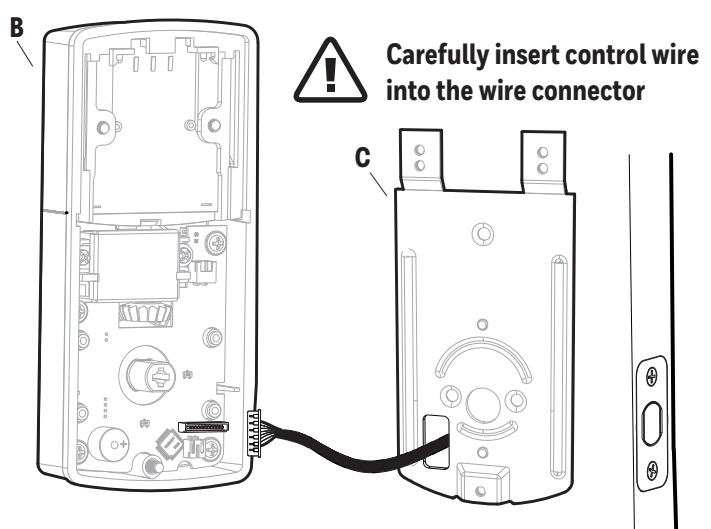


Check that the Rubber Gasket is secured on the Exterior Assembly. Insert the Exterior Assembly onto the door with the tailpiece going through the Deadbolt Latch Set in the VERTICAL POSITION. Route the Control Wire through the door under the Deadbolt Latch Set.



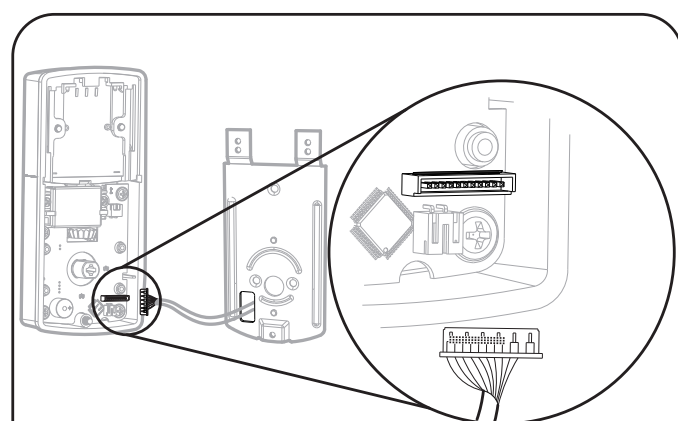
Secure mounting plate to door

5 Install Interior Assembly



Carefully insert control wire into the wire connector

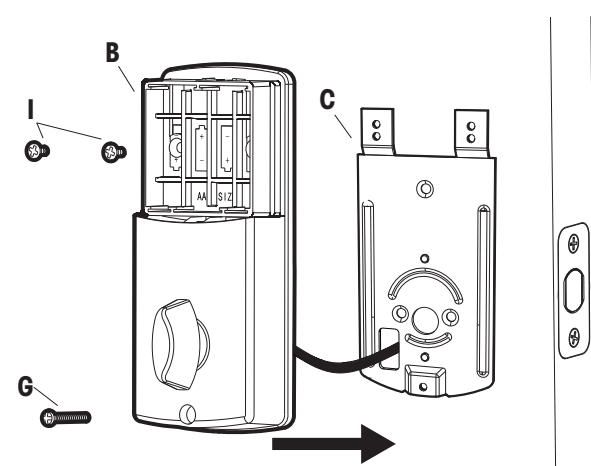
Work with the door open



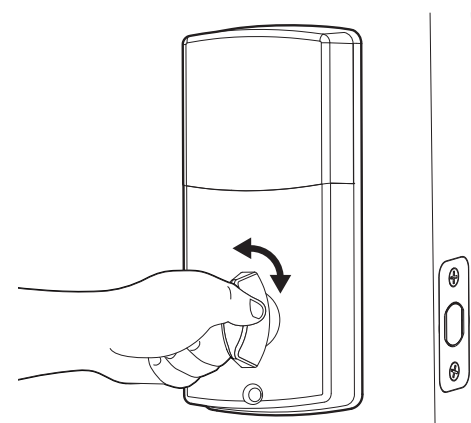
NOTE: Make sure the connector dots line up with the dots on the wire

6 Install Interior Assembly

NOTE: Make sure the Knob is in the correct position. Be careful not to pinch the control wire when assembling

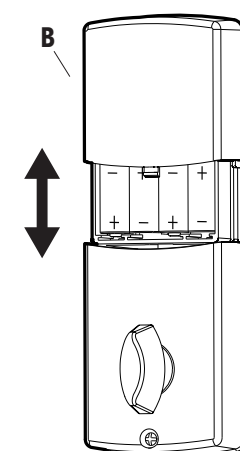


Test the lock



Lock and unlock using the knob make sure the latch is opening and closing easily. If not, go back to step 2 and ensure you followed the steps

7 Install Batteries and Cover



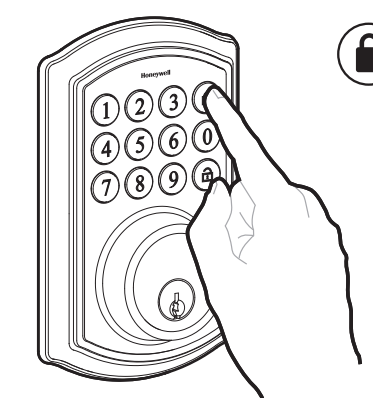
This Electronic lock requires (4) High Quality AA Alkaline batteries. When all 4 batteries are installed in the correct position, you should hear 2 beeps and the keypad will illuminate.

The Lock motor will engage and do a series of locking and unlocking motions in order to automatically determine your door "Handing" (left or right handed door). When completed the lock will beep and the keypad will flash.

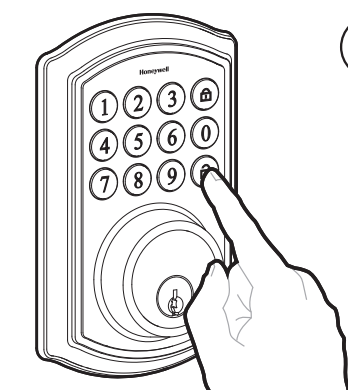
NOTE: Do not touch the Keypad until the light turns off. Do not use rechargeable batteries or non-alkaline batteries.

8 Testing Operation

Test the lock button with door open



Test unlocking Press 1-2-3-4-



Before Opening Door Let Motor Complete Cycle

Congratulations, You have Installed the Honeywell Digital Touchscreen Electronic Deadbolt (M8635000, 8635004, 8635018, 8635022, 8635024, 8635028) Turn Sheet over for Programing Instructions.

