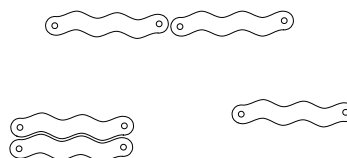
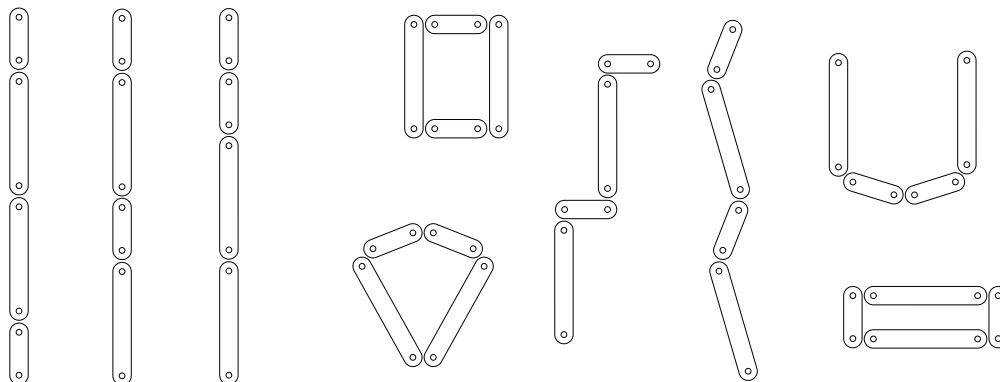


EXAMPLE TRACKS WITH DIFFERENT BALANCE BEAM SETS:

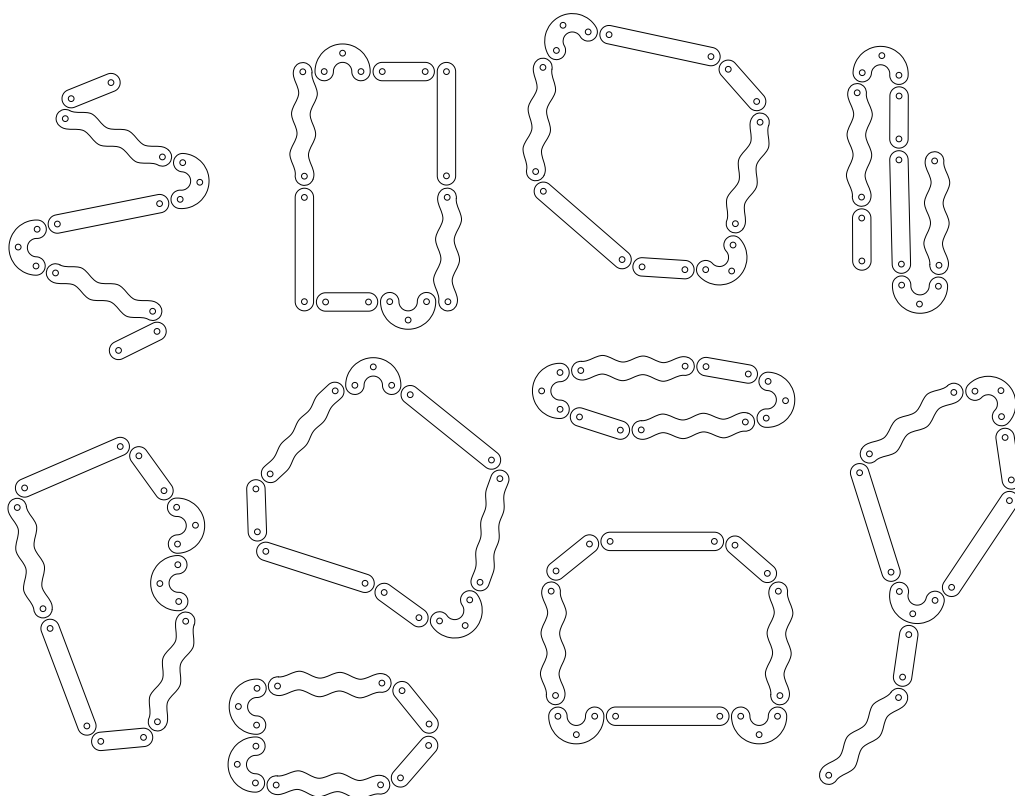
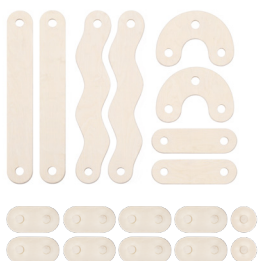
S



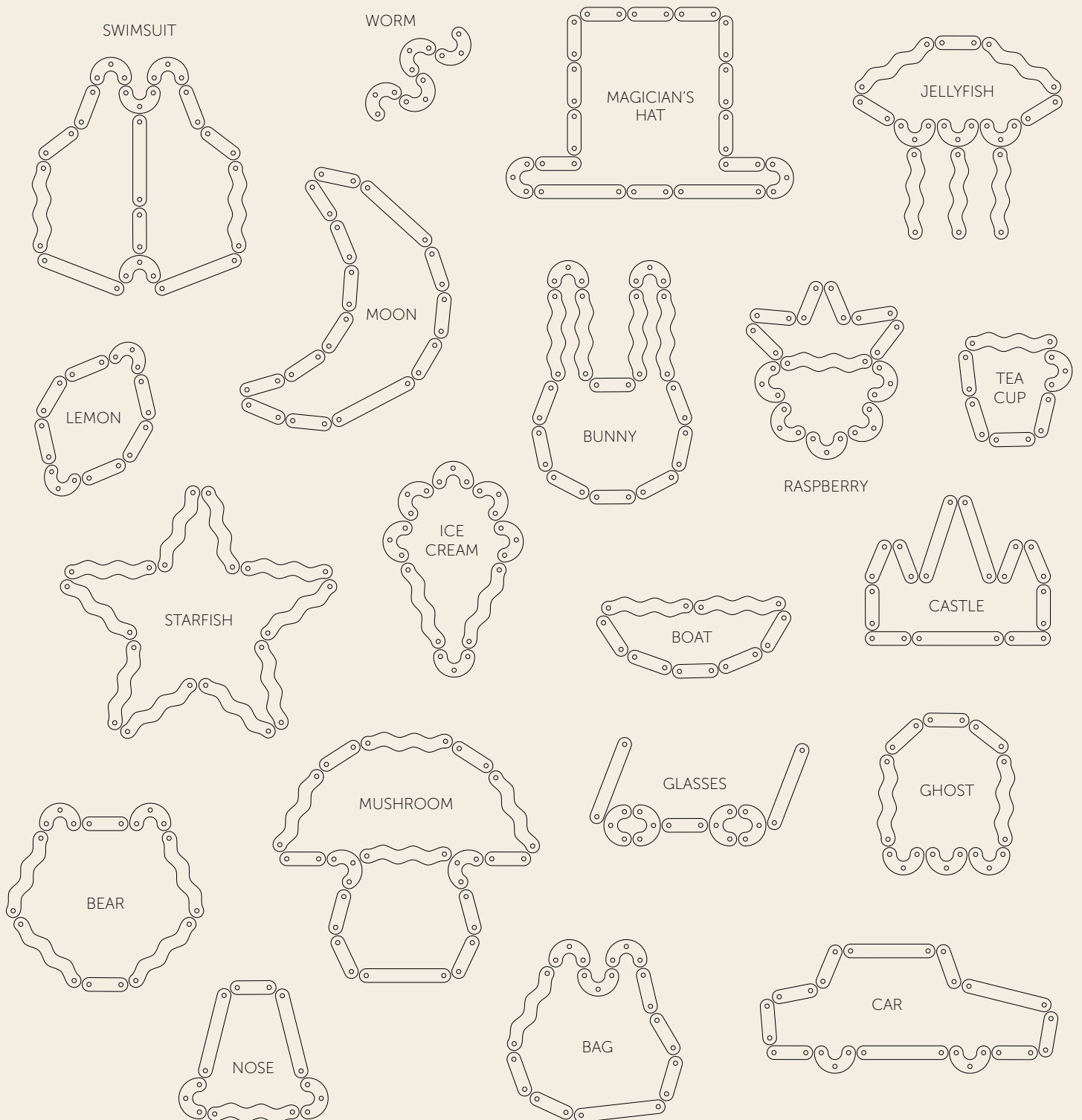
M



L



ONLY YOUR IMAGINATION IS THE LIMIT WHEN CREATING DIFFERENT TRACKS WITH **POLKU BALANCE BEAM**. HERE ARE SOME IDEAS FOR YOU!



WE WOULD LOVE TO SEE WHAT KIND OF TRACKS YOUR FAMILY'S LITTLE DESIGNERS COME UP WITH!  
POST PICTURES OF YOUR TRACKS ON INSTAGRAM WITH HASHTAGS **#FITWOODBALANCEBEAM** AND **#FITWOODPOLKU** SO WE CAN ALSO FIND THEM AND SPREAD THE INSPIRATION.

 @FITWOODCOM