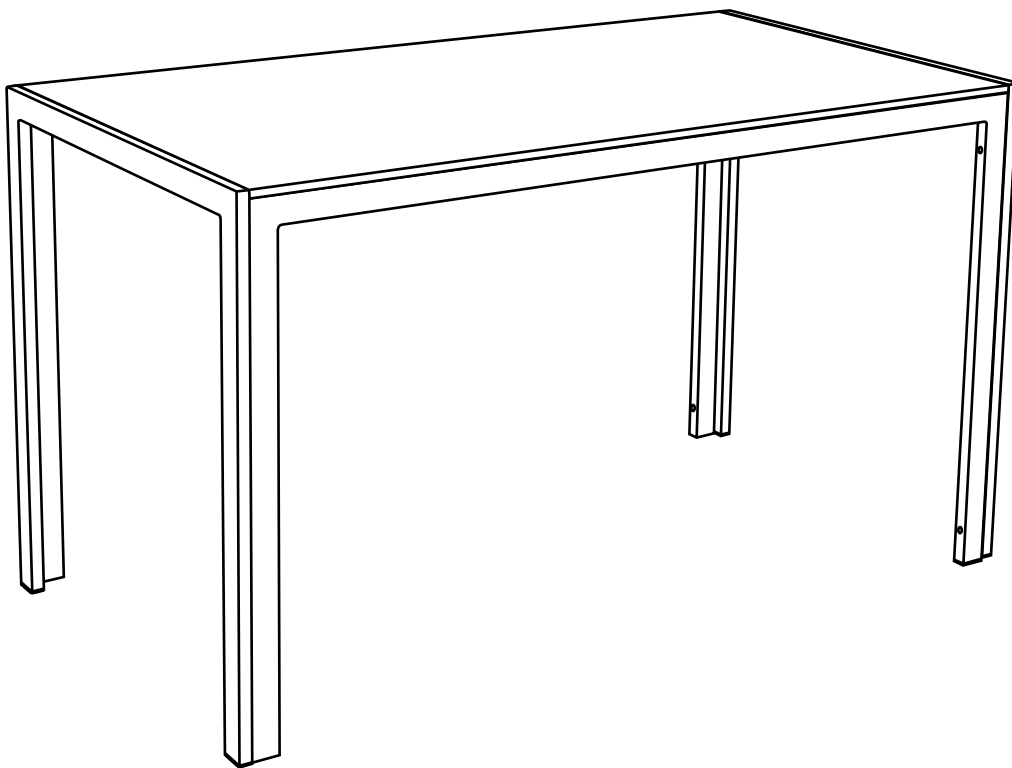


20Mins for dining table



x2



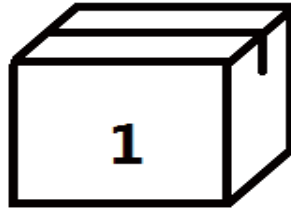
CUSTOMER FIRST, SERVICE FOREMOST!

Questions? Issues?

CONTACT US

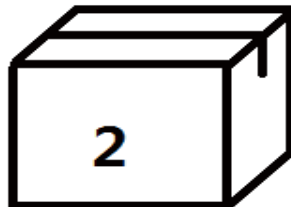
REPLY WITHIN 24 HOURS IN BUSINESS DAYS

WHAT DO YOU GET?



1 dining table

+



4 chairs

ATTENTION: THESE 2 BOXES MAY ARRIVE AT DIFFERENT TIMES, PLEASE WAIT PATIENTLY.



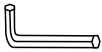







Warm Tips:

1. Please check carefully for small parts which may have come loose during shipment.
2. Please remove all components from the package and place the table upside down on a soft surface such as carpet or cloth to prevent scratching the finish.
3. Please identify and count all parts as specified below. Do not tighten the screws one by one until you are sure that all the corresponding screws are placed in the correct position and that the product remains flat.

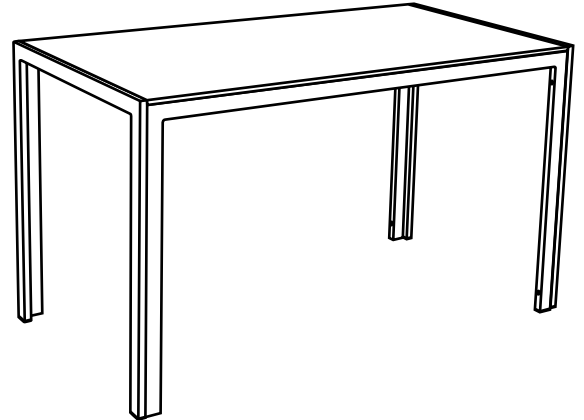
ASSEMBLY INSTRUCTION

Thank you for purchasing this item, please read the instructions below carefully before assembly.

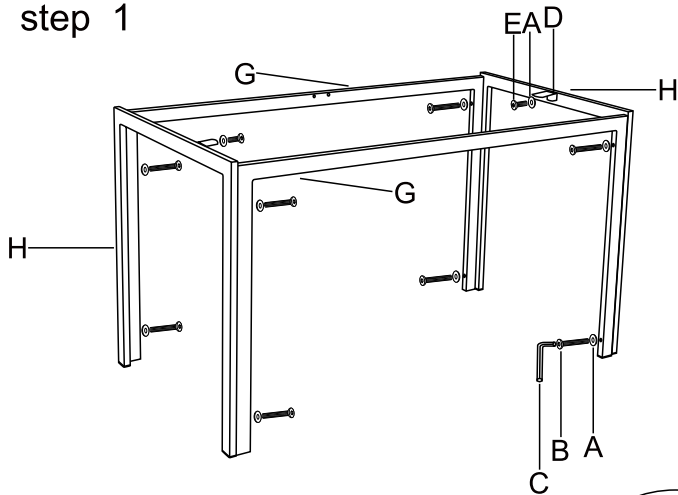
PARTS LIST

NO.	PART	DESCRIPTION	QTY
A		metal gasket	x14
B		screw	x8
C		allen key	x1
D		plate	x2
E		screw	x6
F		anti-slip parts	x6
G		front leg	x2
H		side leg	x2
I		connect bar	x1
J		glass top	x1

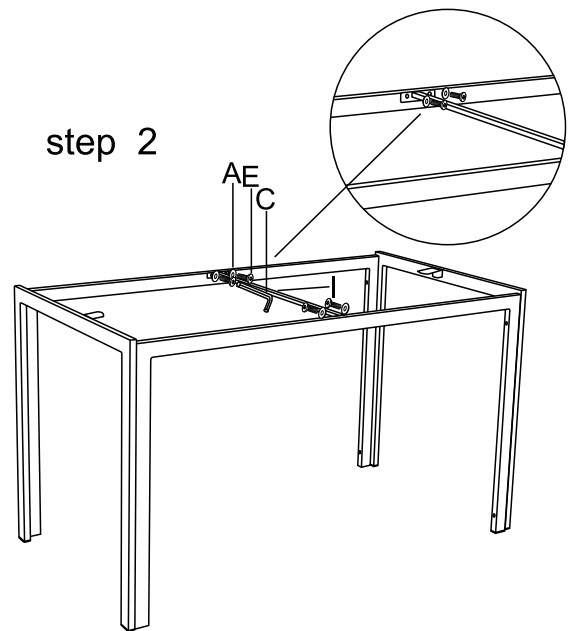
DINING TABLE



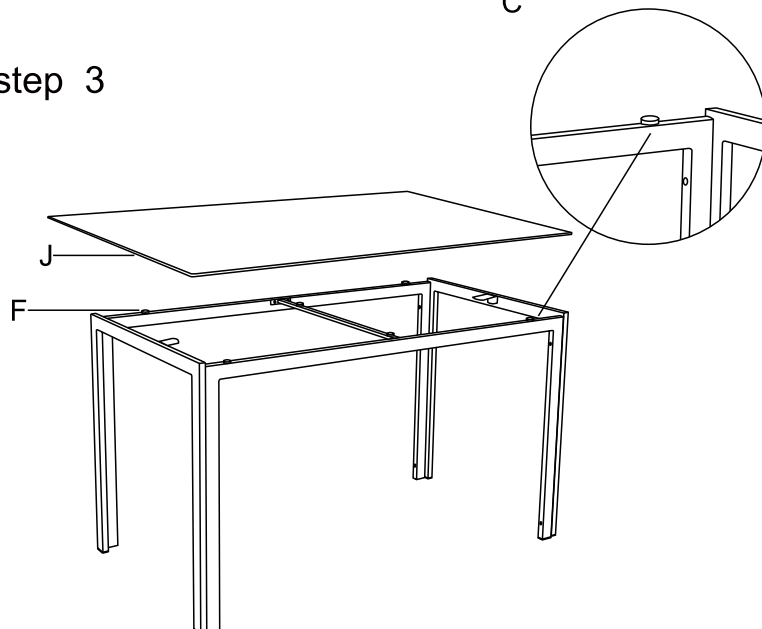
step 1



step 2



step 3



step 4

