

# SUMMIT II FIXED HEIGHT **ASSEMBLY GUIDE**

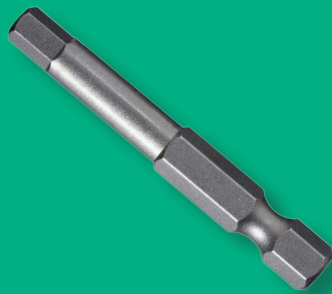




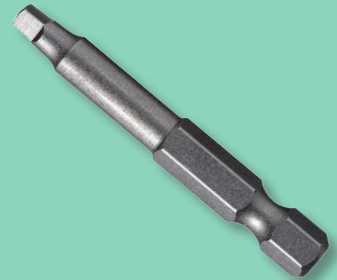
## Tools Required



Battery Drill




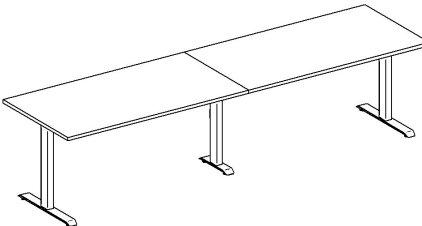
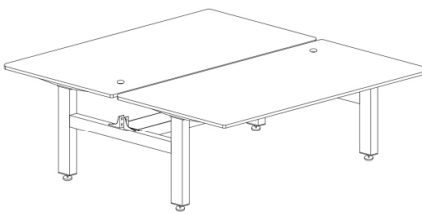
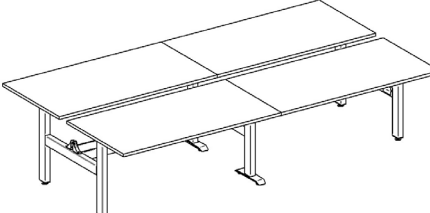
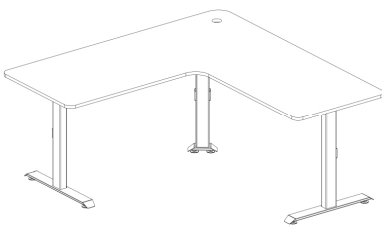
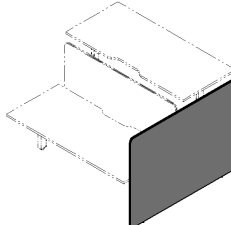

4mm Hex Bit



#2 Square Drive Bit

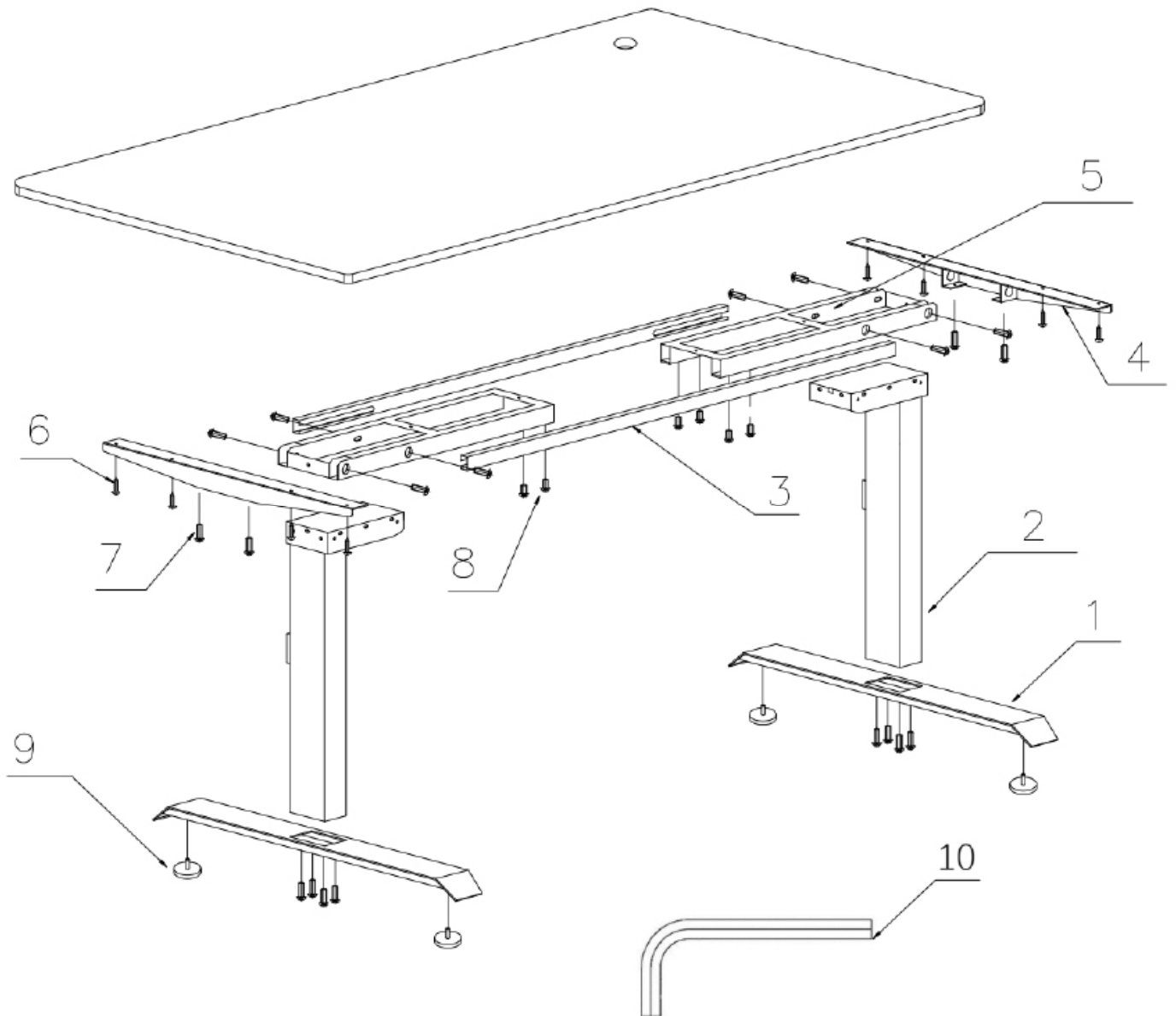
**Accent**  
workspace furniture solutions

# TABLE OF CONTENTS

CONFIGURATION	PAGE NUMBER	IMAGE
Single Desk	4-6	
Inline 2 Pod Desk	7-9	
Back-To-Back 2 Pod Desk	10-12	
Back-To-Back 4 Pod Desk	13-16	
90° Corner Workstation	17-20	
Summit II Back-to-Back End Screen		
Care and Maintenance	23	

# SUMMIT II FIXED HEIGHT SINGLE DESK

## A. ASSEMBLY DIAGRAM



# SUMMIT II FIXED HEIGHT SINGLE DESK

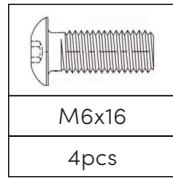
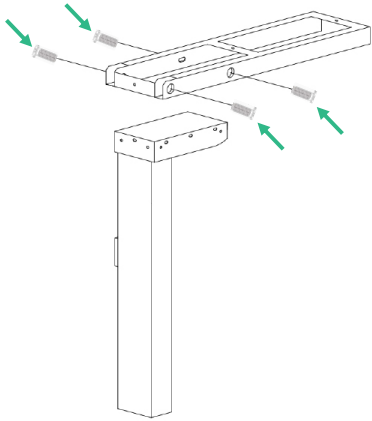
## B. PACKING LIST

NO.	HARDWARE SECTION	QUANTITY
1	Foot	2pcs
2	Height Fixed Column	2pcs
3	Extendable Tube	2pcs
4	Upper Side Support	2pcs
5	Framework	2pcs

	HARDWARE SECTION	QUANTITY
6	Screw ST6x23	12pcs
7	Bolt M6x16	20pcs
8	Bolt M6x10	8pcs
9	Leveling Glide	4pcs
10	Hex Wrench-4mm	1pc

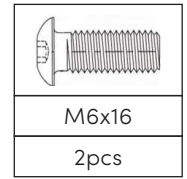
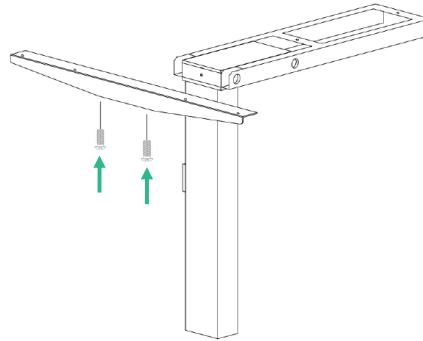
# C. HOW TO SET UP DESK FRAME

## STEP 1



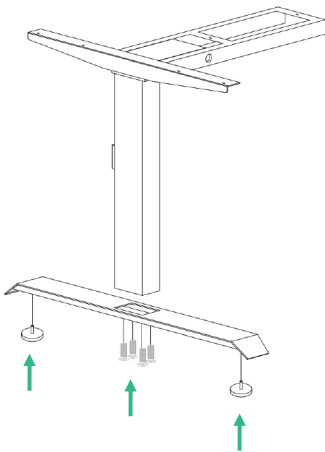
Install framework on lifting columns with Screw.

## STEP 2



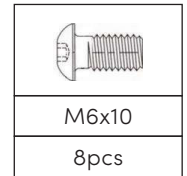
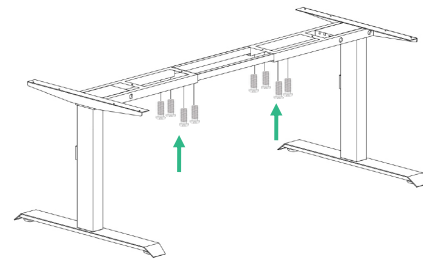
Install Upper Side Support with Screw.

## STEP 3



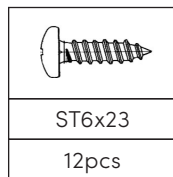
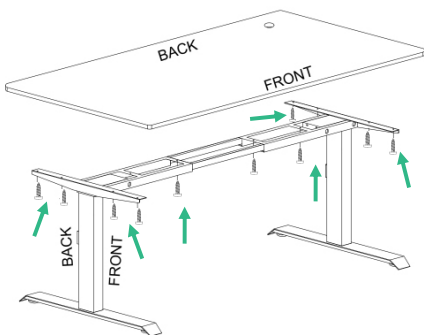
Install Foot and Leveling Glide.

## STEP 4



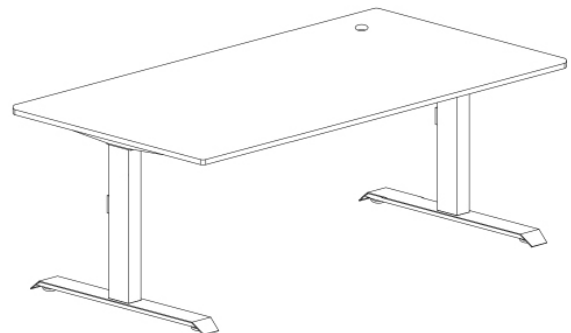
Insert extendable tube into framework open ends of framework and fix it with hex wrench.

## STEP 5



Install desktop.

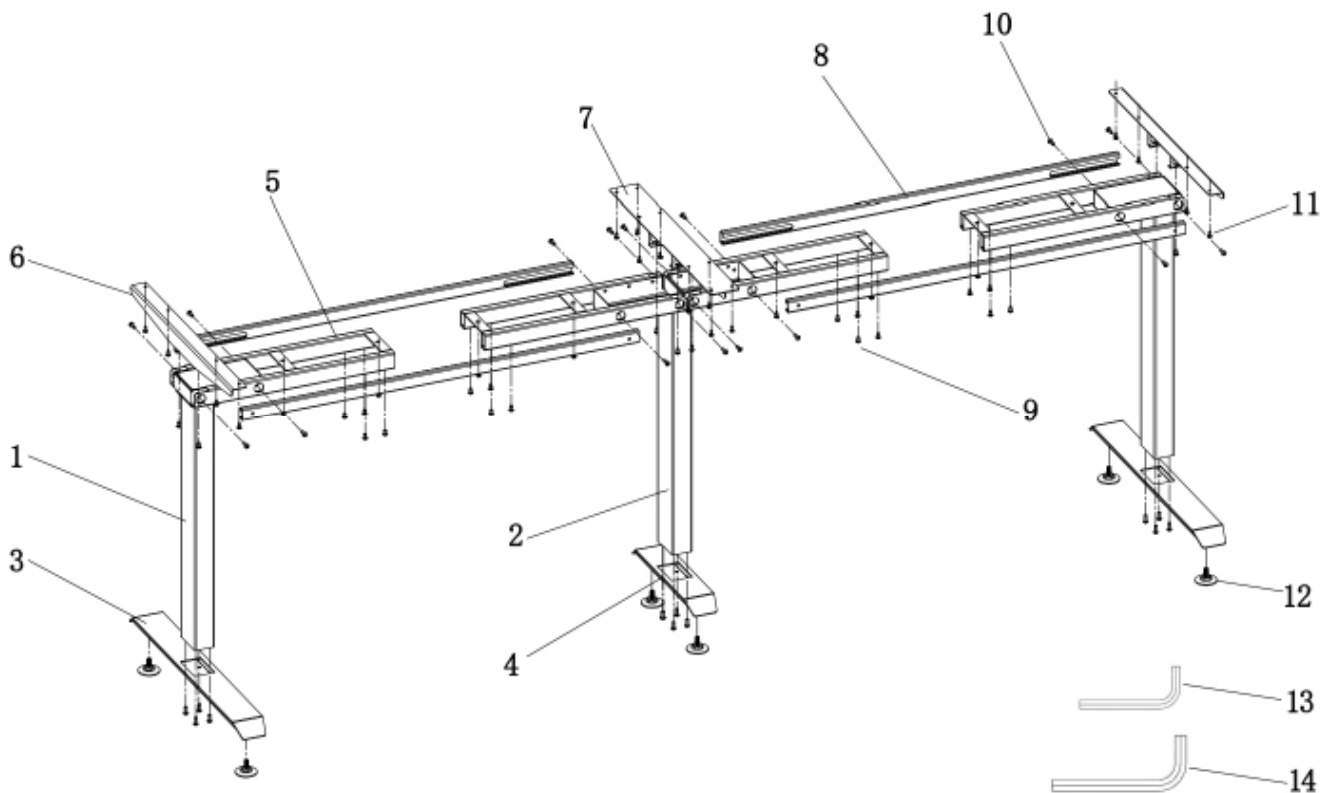
## STEP 6



Summit II Fixed Height 2 Leg.

# SUMMIT II FIXED HEIGHT INLINE 2 POD DESK

## A. ASSEMBLY DIAGRAM



# SUMMIT II FIXED HEIGHT INLINE 2 POD DESK

## B. PACKING LIST

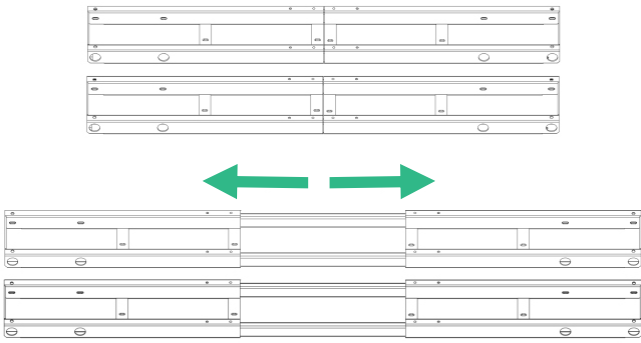
NO.	HARDWARE SECTION	QUANTITY
1	Height Fixed Column(Side)	2pcs
2	Height Fixed Column(Middle)	1pc
3	Foot(Long)	2pcs
4	Foot(Short)	1pc
5	Framework	4pcs
6	Upper Side Support	2pcs
7	Upper Middle Support	1pc
8	Extendable Tube	4pcs

	HARDWARE SECTION	QUANTITY
9	Bolt M6x10	16pcs
10	Bolt M6x16	36pcs
11	Screw ST6*23	24pcs
12	Leveling Glide	6pcs
13	Hex Wrench-4mm	1pc
14	Hex Wrench-5mm	1pc
15	Bolt M8x10	6pcs



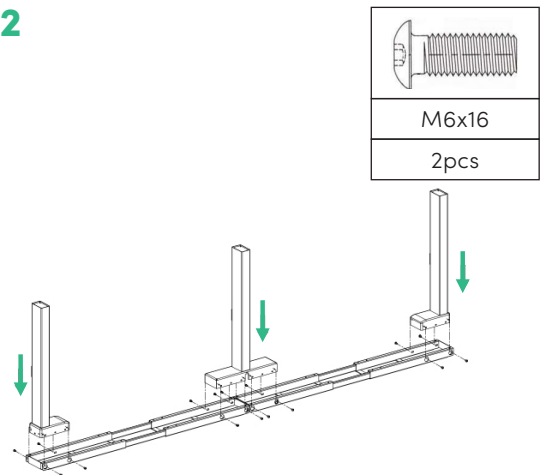
# C. HOW TO SET UP DESK FRAME

## STEP 1



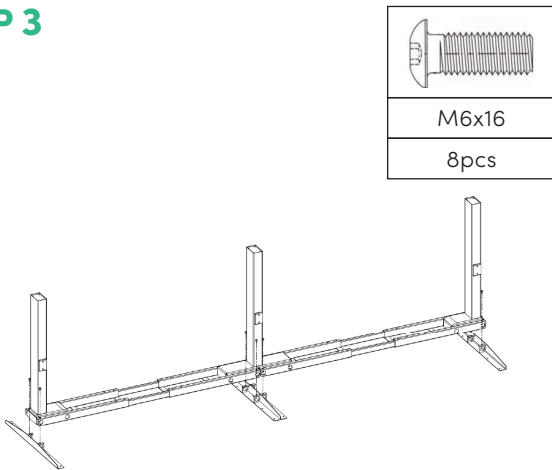
Take out the framework x4 from carton.

## STEP 2



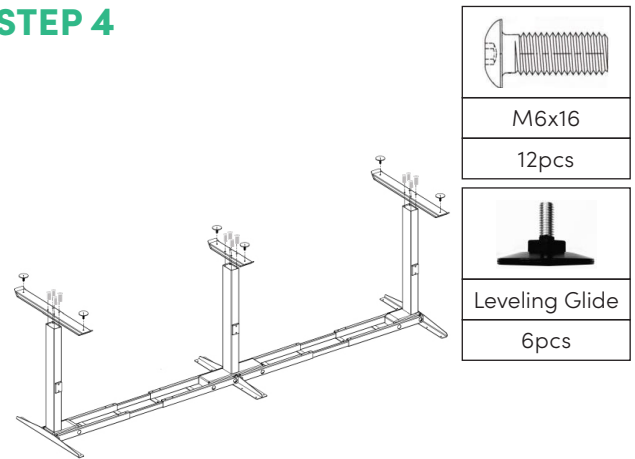
Install 2pcs side columns and 1pc middle column with bolt.

## STEP 3



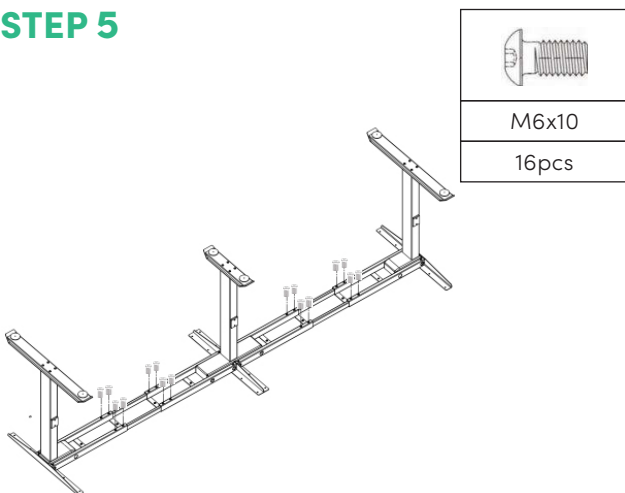
Install 2pcs upper side support and 1pc upper middle support with bolt.

## STEP 4



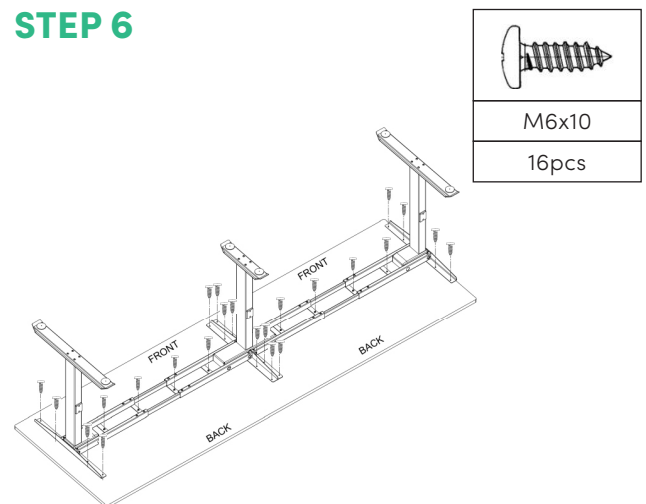
Install 2pcs foot (long), 1pc foot (short) and install leveling glide.

## STEP 5



Fix the width of desk frame according to desktop.

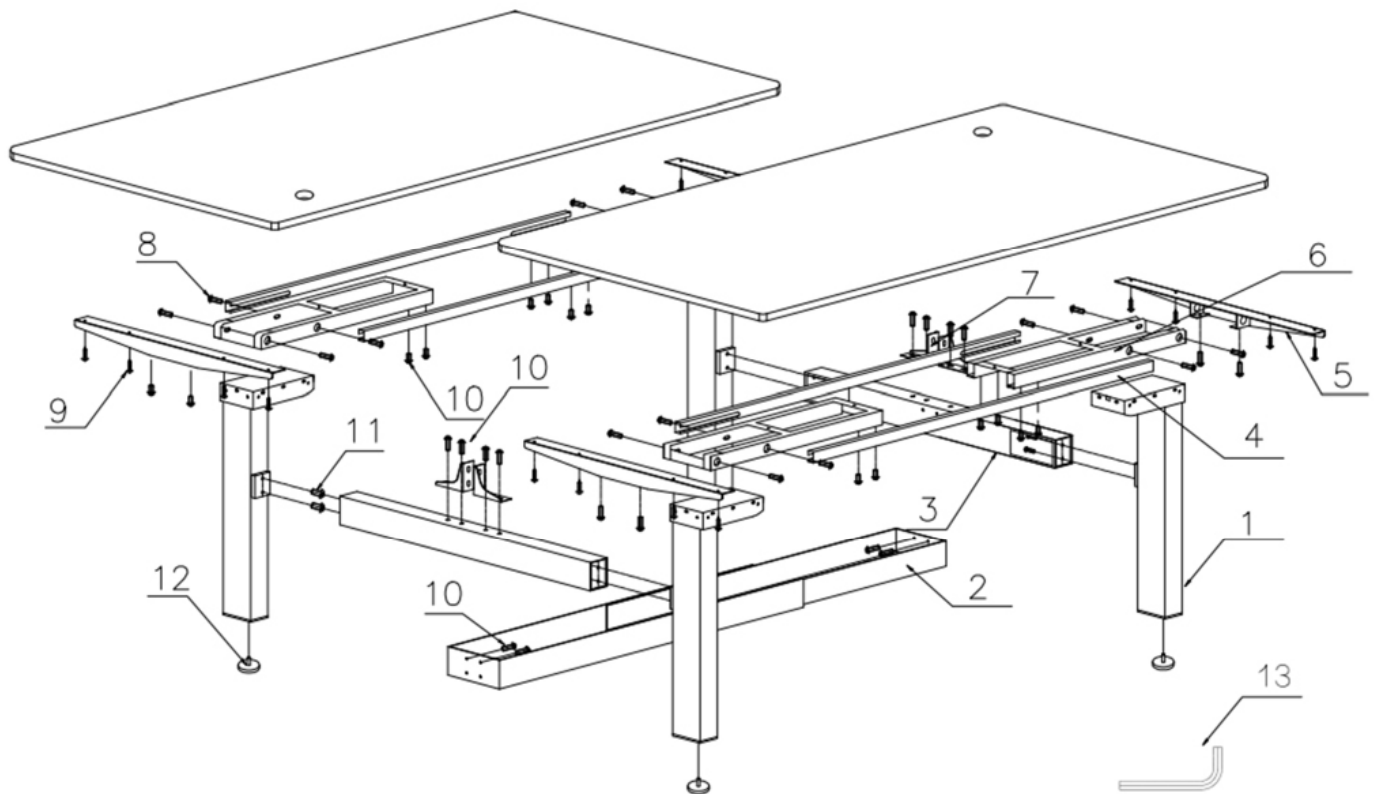
## STEP 6



Install Desktop.

# SUMMIT II FIXED HEIGHT BACK-TO-BACK 2 POD

## A. ASSEMBLY DIAGRAM



# SUMMIT II FIXED HEIGHT BACK-TO-BACK 2 POD

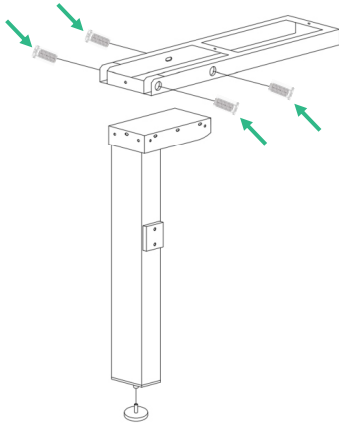
## B. PACKING LIST

NO.	HARDWARE SECTION	QUANTITY
1	Lifting Column	4pcs
2	Cable Tray	1pc
3	Cross Beam	2pcs
4	Extendable Tube	4pcs
5	Upper Side Support	4pcs
6	Framework	4pcs
7	L Bracket (Screen Fixing)	4pcs

	HARDWARE SECTION	QUANTITY
8	Bolt M6*16	24pcs
9	Screw ST6*23	24pcs
10	Bolt M6x10	32pcs
11	Bolt M8x10	9pcs
12	Leveling Glide	4pcs
13	Hex Wrench-4mm	1pc
14	Hex Wrench-5mm	1pc

# C. HOW TO SET UP DESK FRAME

## STEP 1

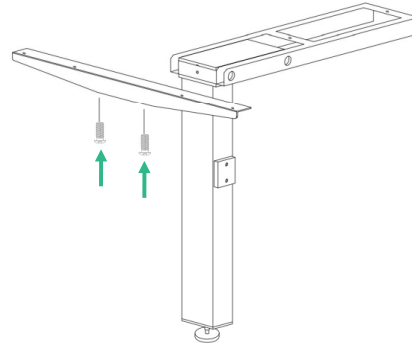


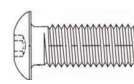

M6x16
4pcs

Leveling Glide
1pc

Install framework to lifting columns with bolt, install leveling glides.

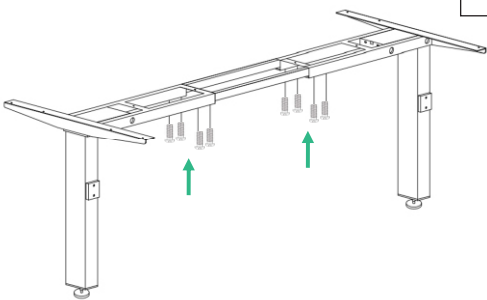
## STEP 2

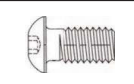



M6x16
2pcs

Install upper side support with screw.

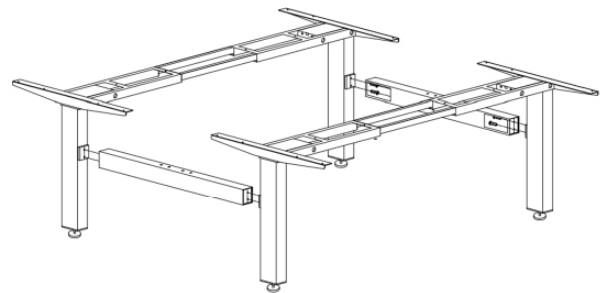
## STEP 3

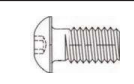



M6x10
8pcs

Insert extendable tube into framework open ends and fix it with hex wrench.

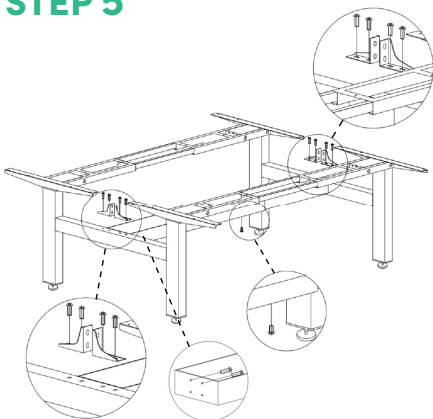
## STEP 4

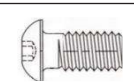
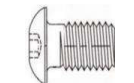



M6x10
8pcs

Install cross beam.

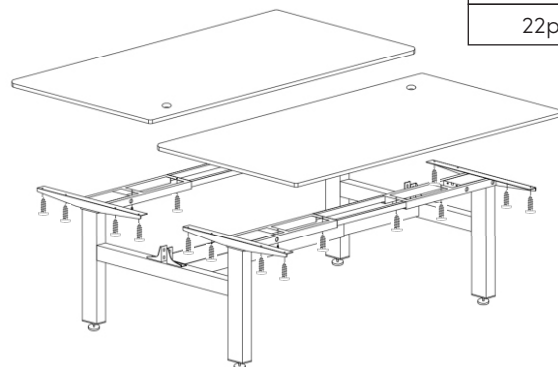
## STEP 5

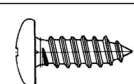



M6x10
16pcs

M8x10
1pc

Install cable tray and L bracket (screen fixing) using bolt M6x10. Fix the width of cable tray with screw M8x10 under cable tray.

## STEP 6

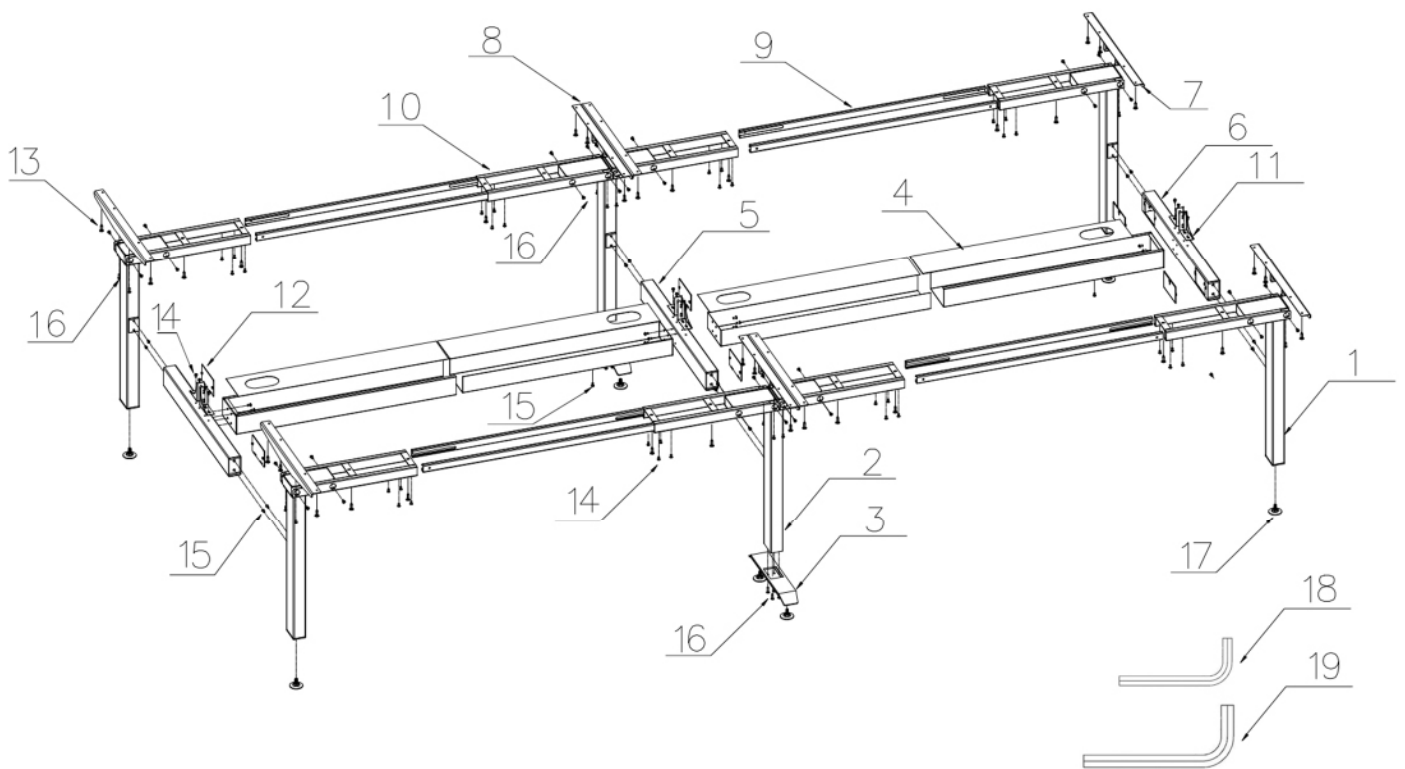



ST6x23
22pcs

Install desktop.

# SUMMIT II FIXED HEIGHT BACK-TO-BACK 4 POD

## A. ASSEMBLY DIAGRAM



# SUMMIT II FIXED HEIGHT BACK-TO-BACK 4 POD

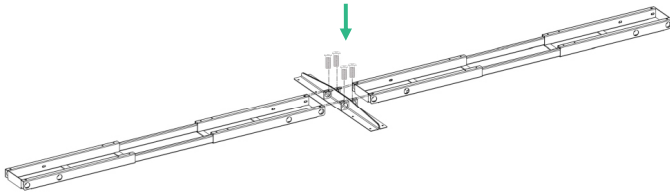
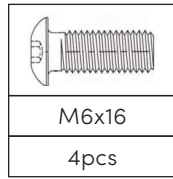
## B. PACKING LIST

NO.	HARDWARE SECTION	QUANTITY
1	Height Fixed Column(Side)	4pcs
2	Height Fixed Column(Middle)	2pcs
3	Foot	2pcs
4	Cable Tray	2pcs
5	Cross Beam(Middle)	1pc
6	Cross Beam(Side)	2pcs
7	Upper Side Support	4pcs
8	Upper Middle Support	2pcs
9	Extendable Tube	4pcs
10	Framework	8pcs
11	L Bracket(Screen Fixing)	6pcs
12	Plastic Cap	6pcs

	HARDWARE SECTION	QUANTITY
13	Screw ST6*23	48pcs
14	Bolt M6x10	56pcs
15	Bolt M8*10	14pcs
16	Bolt M6x16	56pcs
17	Leveling Glide	8pcs
18	Hex Wrench-4mm	1pc
19	Hex Wrench-5mm	1pc

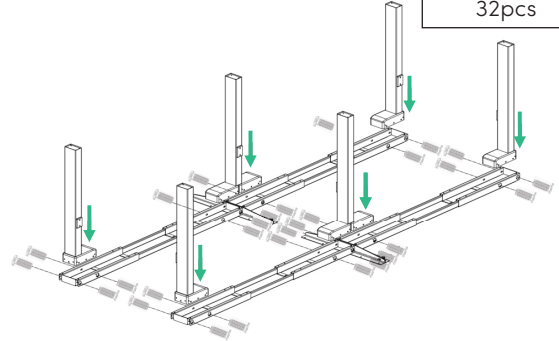
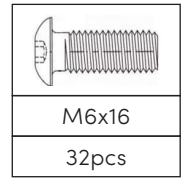
# C. HOW TO SET UP DESK FRAME

## STEP 1



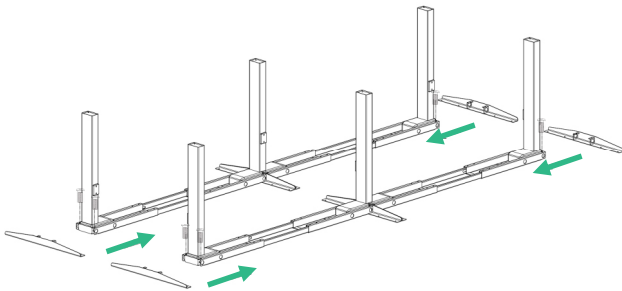
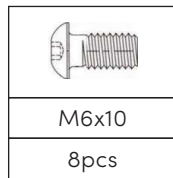
Install upper middle support to frameworks with bolts.

## STEP 2



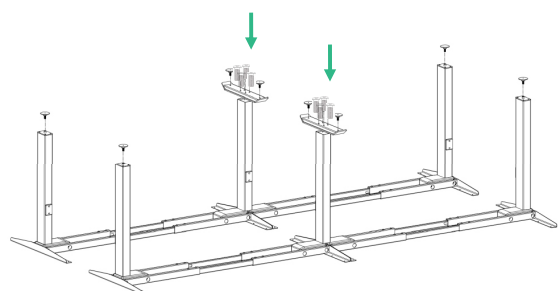
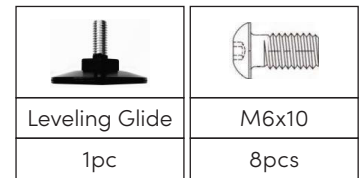
Install 4pcs side column and 2pcs middle column with bolt.

## STEP 3



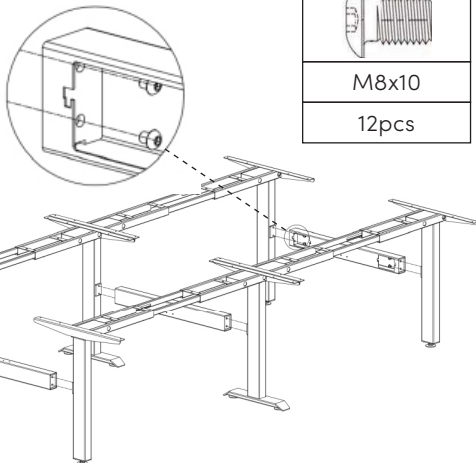
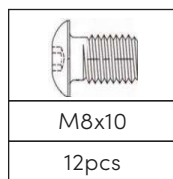
Insert 4pcs upper side support with bolt

## STEP 4



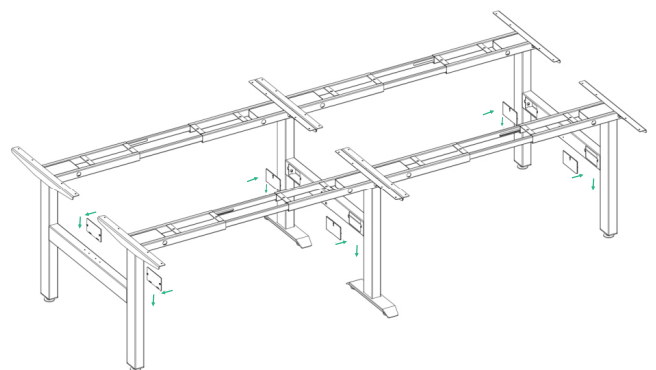
Install 2pcs foot and leveling glide.

## STEP 5



Install cross beam(side) and cross beam(middle).

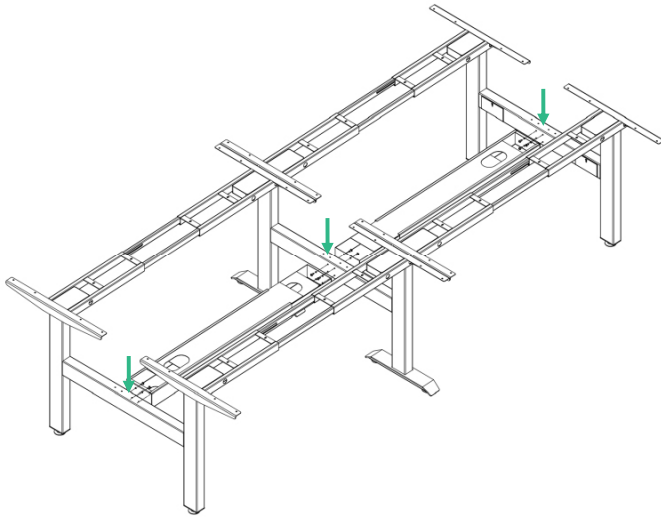
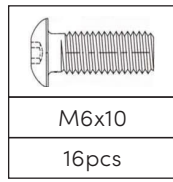
## STEP 6



Install plastic cap to cross beam.

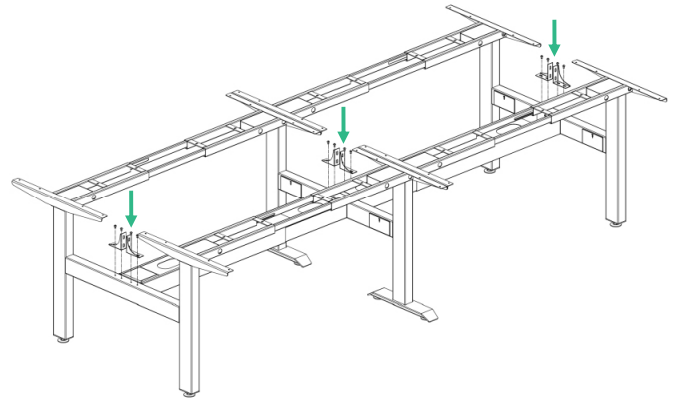
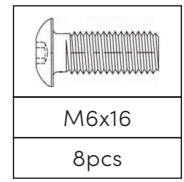
# C. HOW TO SET UP DESK FRAME

## STEP 7



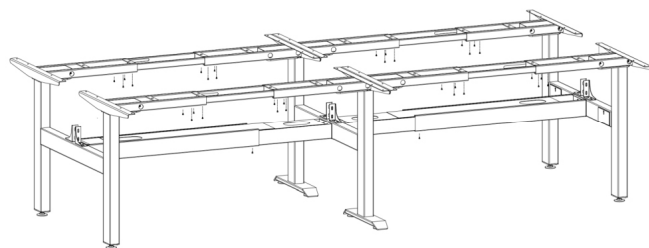
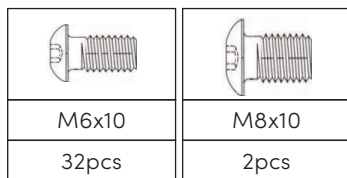
Install cable tray with bolt.

## STEP 8



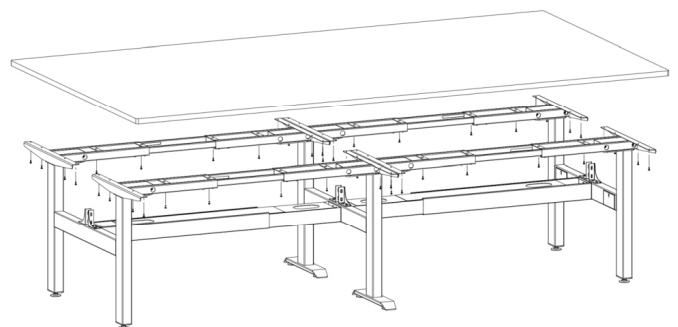
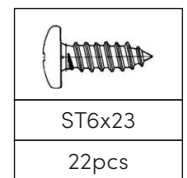
Install 3pcs L bracket(screen fixing) with bolt.

## STEP 9



Fix the width of desk frame. Fix the width of cable tray.

## STEP 10

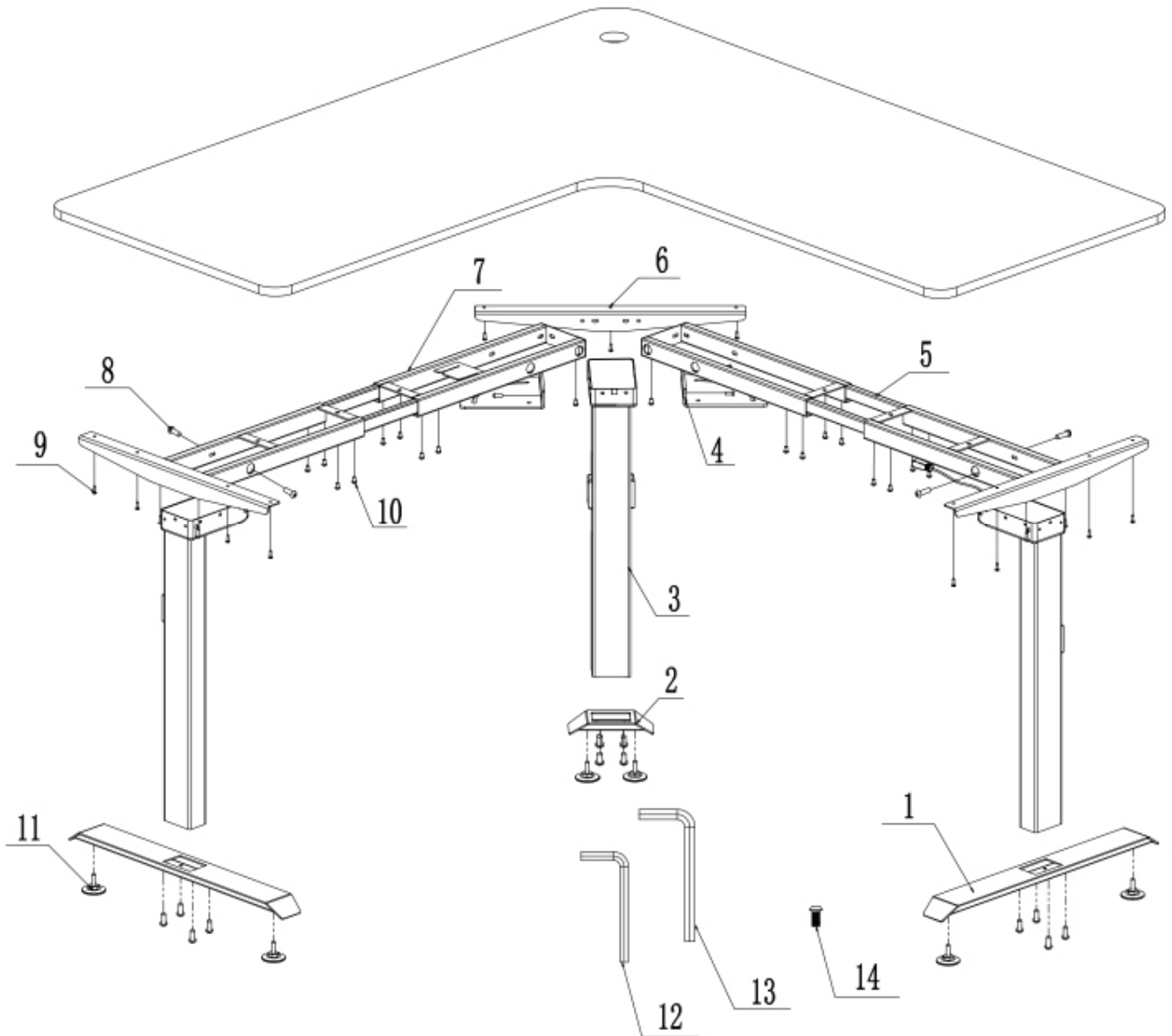


Install desktop.



# SUMMIT II FIXED HEIGHT 90° CORNER WORKSTATION

## A. ASSEMBLY DIAGRAM



# SUMMIT II FIXED HEIGHT 90° CORNER WORKSTATION

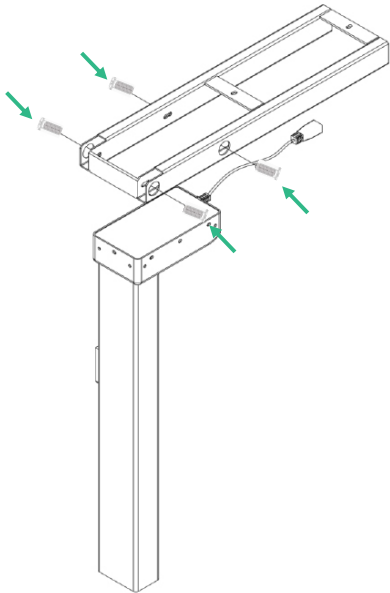
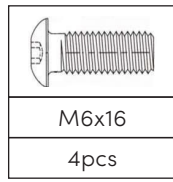
## B. PACKING LIST

NO.	HARDWARE SECTION	QUANTITY
1	Long Foot	2pcs
2	Short Foot	1pc
3	Lifting Column	3pcs
4	Rotation Joint	2pcs
5	Extendable Tube	4pcs
6	Upper Side Support	3pcs
7	Framework	4pcs

	HARDWARE SECTION	QUANTITY
8	Bolt M6x16	30pcs
9	Screw ST6x23	18pcs
10	Bolt M6x10	20pcs
11	Leveling Glide	6pcs
12	Hex Wrench-4mm	1pc
13	Hex Wrench-5mm	1pc
14	Bolt M8x10	10pcs

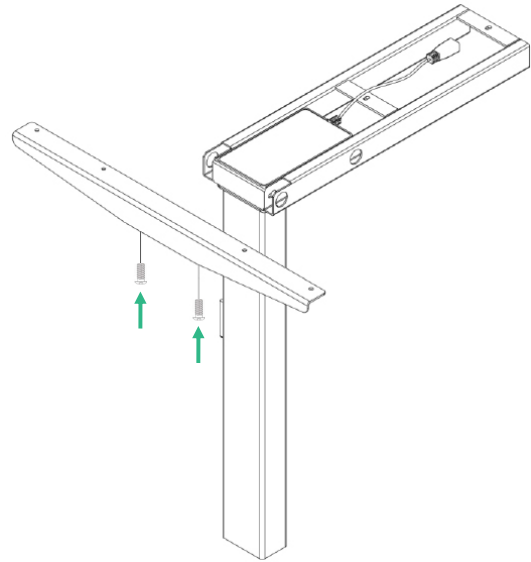
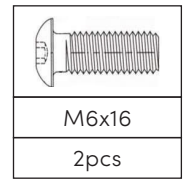
# C. HOW TO SET UP DESK FRAME

## STEP 1



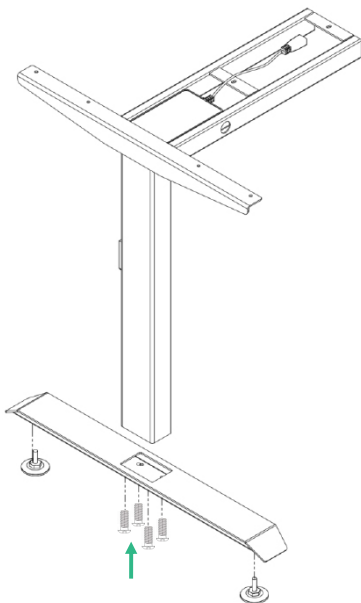
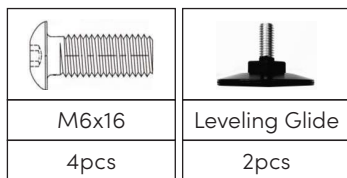
Install framework on lifting column with bolts.

## STEP 2



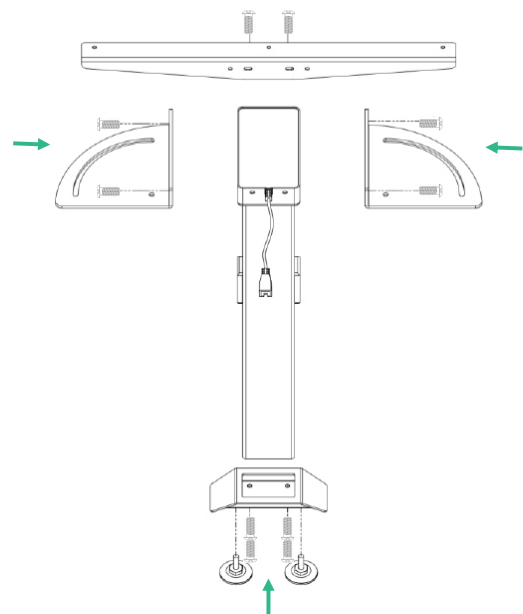
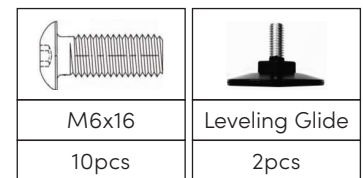
Install upper side support with bolts.

## STEP 3



Install foot and leveling glides.

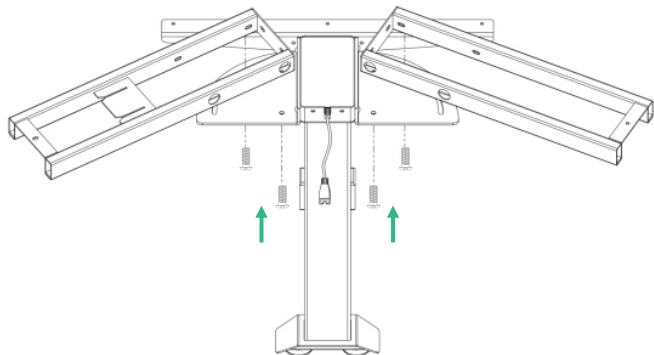
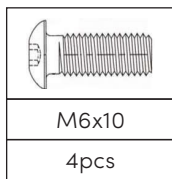
## STEP 4



Install rotation joint, upper side support.

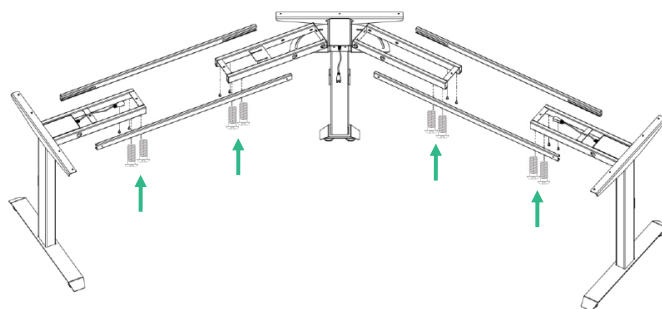
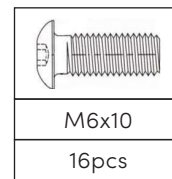
# C. HOW TO SET UP DESK FRAME

## STEP 5



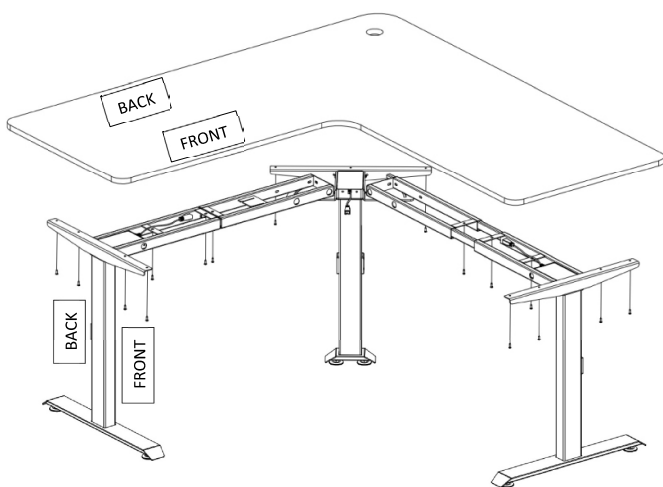
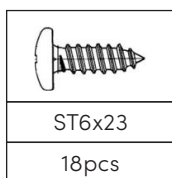
Install framework to rotation joint with bolts.

## STEP 6



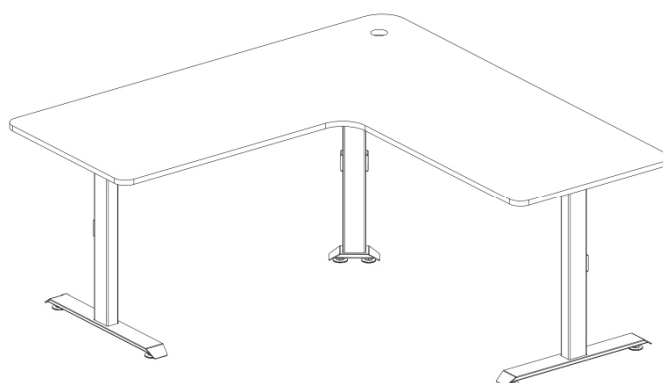
Insert extendable tube and fix with hex wrench.

## STEP 7



Install desktop.

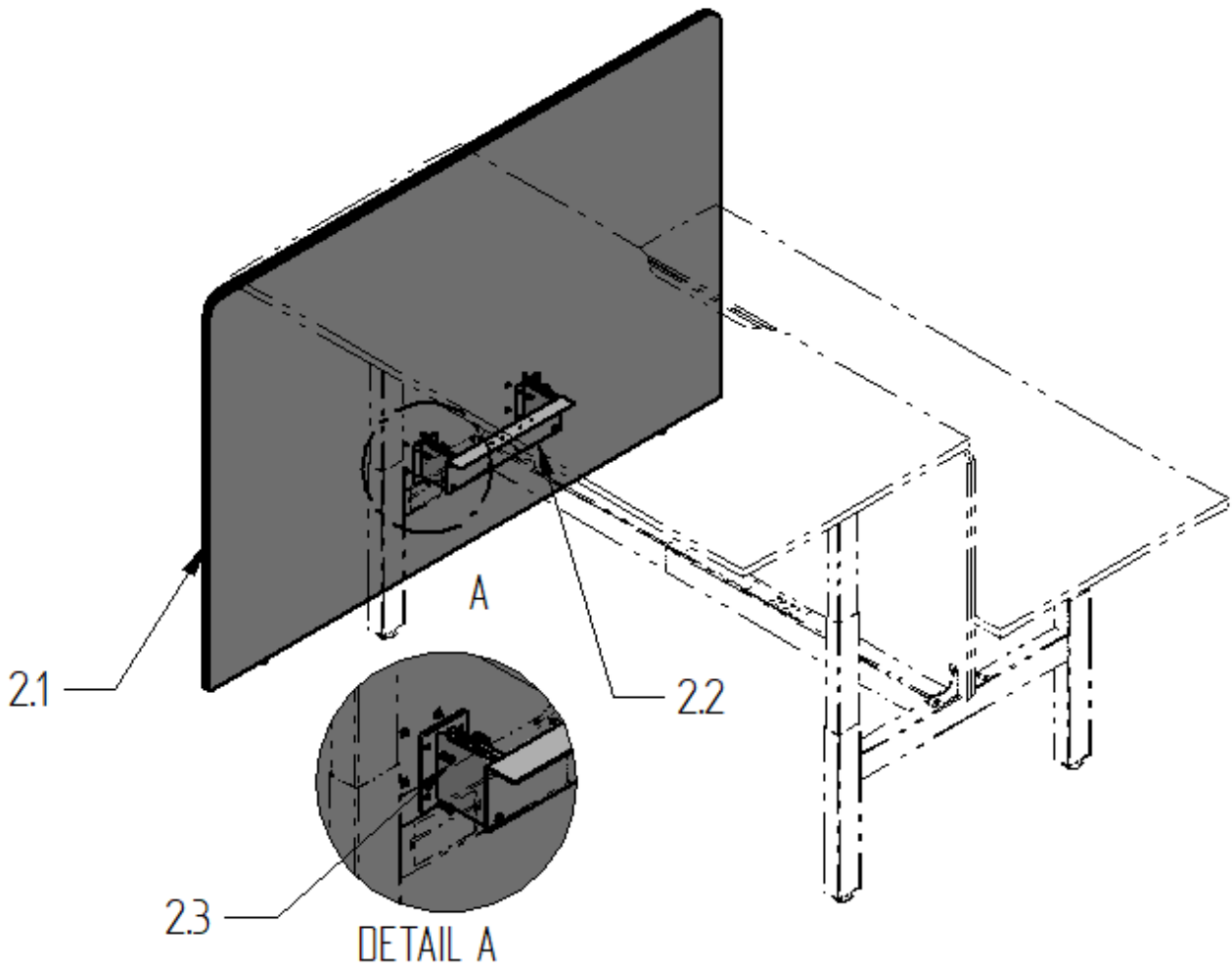
## STEP 8



Summit II Fixed Height 90° Corner Workstation.

# SUMMIT II

## BACK-TO-BACK END SCREEN

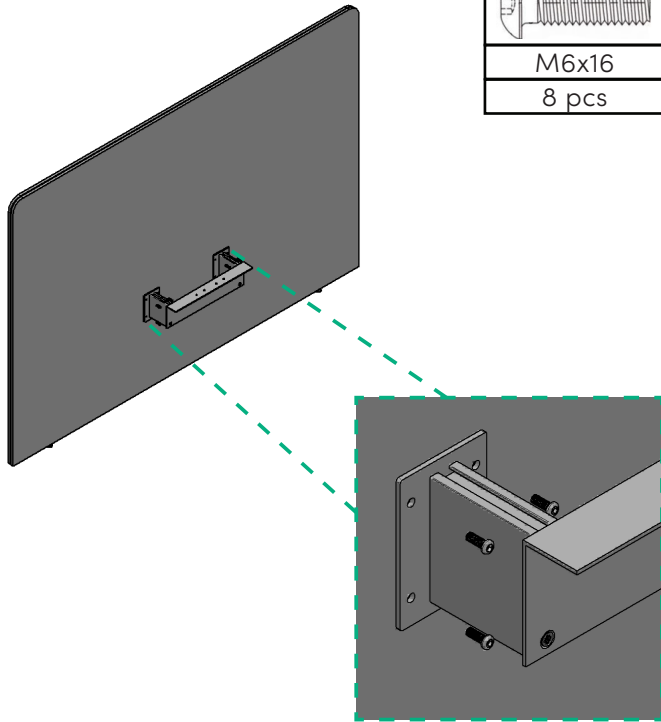


### A. PARTS LIST

PARTS NO.	NAME	QUANTITY
2.1	Screen Panel	1
2.2	Summit II Cross Beam Screen Bracket	1
2.3	Bolt M6 x 16	8

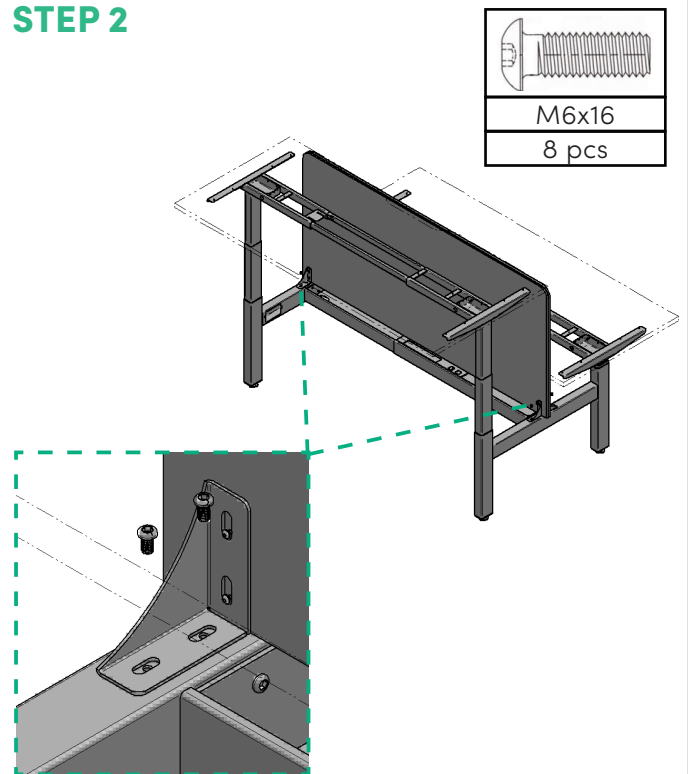
# B. ASSEMBLY INSTRUCTIONS

## STEP 1



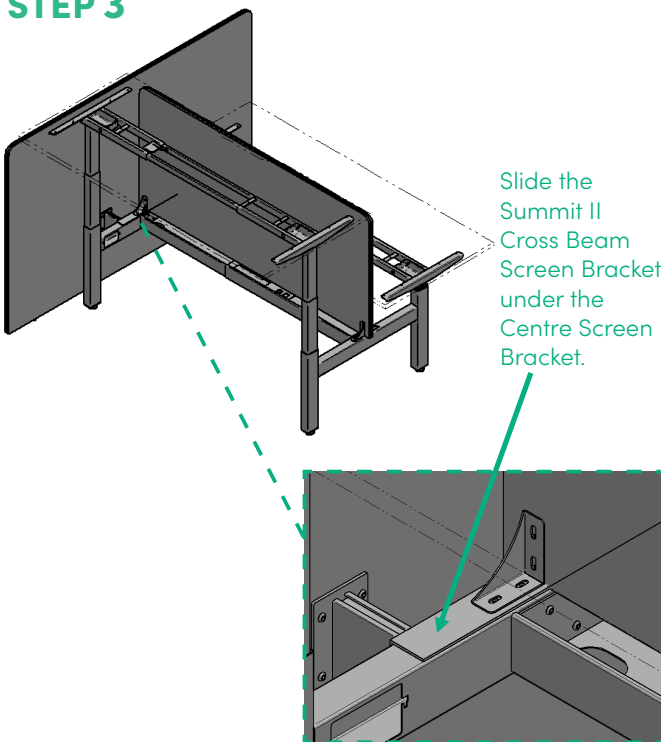
Attached the Summit II cross beam screen bracket to the screen panel, using 8 x bolt 2.3 (Bolt M6 x 16).

## STEP 2



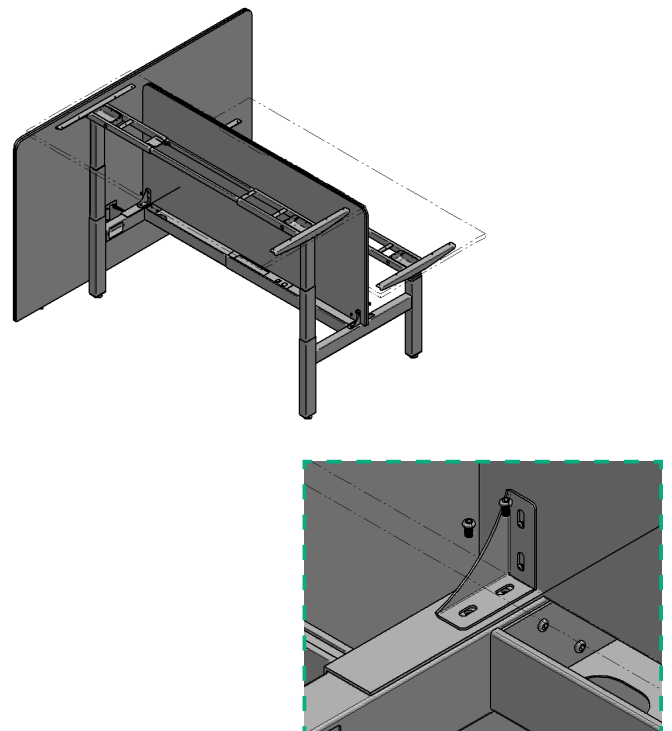
Remove 4 bolts on the top of the cross beam.

## STEP 3



Slide the Summit II cross beam screen bracket under the centre screen bracket.

## STEP 4



Re-install 4 x centre screen bolts

# FACTSHEET

## CARE & MAINTENANCE

### GENERAL CARE – INFORMATION

- Avoid scourers and abrasives as they will damage the surface.
- Don't place hot objects, electrical appliances or pots straight from the oven or cooker onto your laminate surface.
- Don't cut on the laminate surface.
- Keep waxes and polishes well away as they dull the natural shine.
- Do not use strongly acidic, alkaline cleaners or bleach for normal cleaning as these might etch the surface.

### GENERAL CARE – STREAKS

Streaky marks sometimes show on dark colours after cleaning. An all-purpose cleaner such as Mr. Muscle Surface & Glass or Ajax Spray n Wipe usually removes them.

### GENERAL CARE – GREASE

Using a mild dishwashing detergent in water will remove greasy marks. Dab, wait and wipe away. Finish with an all-purpose cleaner such as Mr. Muscle Surface & Glass or Ajax Spray n Wipe.

### GENERAL CARE – SPILLS

Laminate surfaces resist staining from most household chemicals. With some accidental spills however, prompt action is essential. Wipe off beetroot, grape and berry juices, first aid preparations, concentrated bleach, oven cleaners, dishwasher detergents, artificial dyes, hair colouring and solvent based pen ink immediately. Specialty glues such as Super Glue must also be removed straight away with acetone (nail polish remover).

### GENERAL CARE – STAINS

If the stain won't budge with Mr. Muscle Surface & Glass, try methylated spirits or dab the stain with a diluted bleach mixture (1 part bleach to 8 parts water); leave for 3 minutes then wash off with water and dry. Finish off with Mr. Muscle Surface & Glass. Only as a last resort if a stain persists try 2 or 3 rubs with a crème cleanser or white toothpaste, wash and dry. Please note that bleach or these abrasive cleaners may irreversibly damage the laminate surface.

### GENERAL CARE – SCRATCHES

Laminate surfaces will withstand normal wear and tear, but can be damaged by scratching or cutting with utensils, knives and unglazed pottery. Darker colours will show scratches more readily than lighter colours. In general, dark colours and high gloss surfaces require more care and maintenance than lighter colours or lower gloss colours. To minimise scratching, always place and lift objects from the surface – never drag or slide them across the surface.







# Accent

workspace furniture solutions



0800 126 826

[support@accentworkspaces.co.nz](mailto:support@accentworkspaces.co.nz)

22 Hood Street Wellsford, Auckland 0900 New Zealand