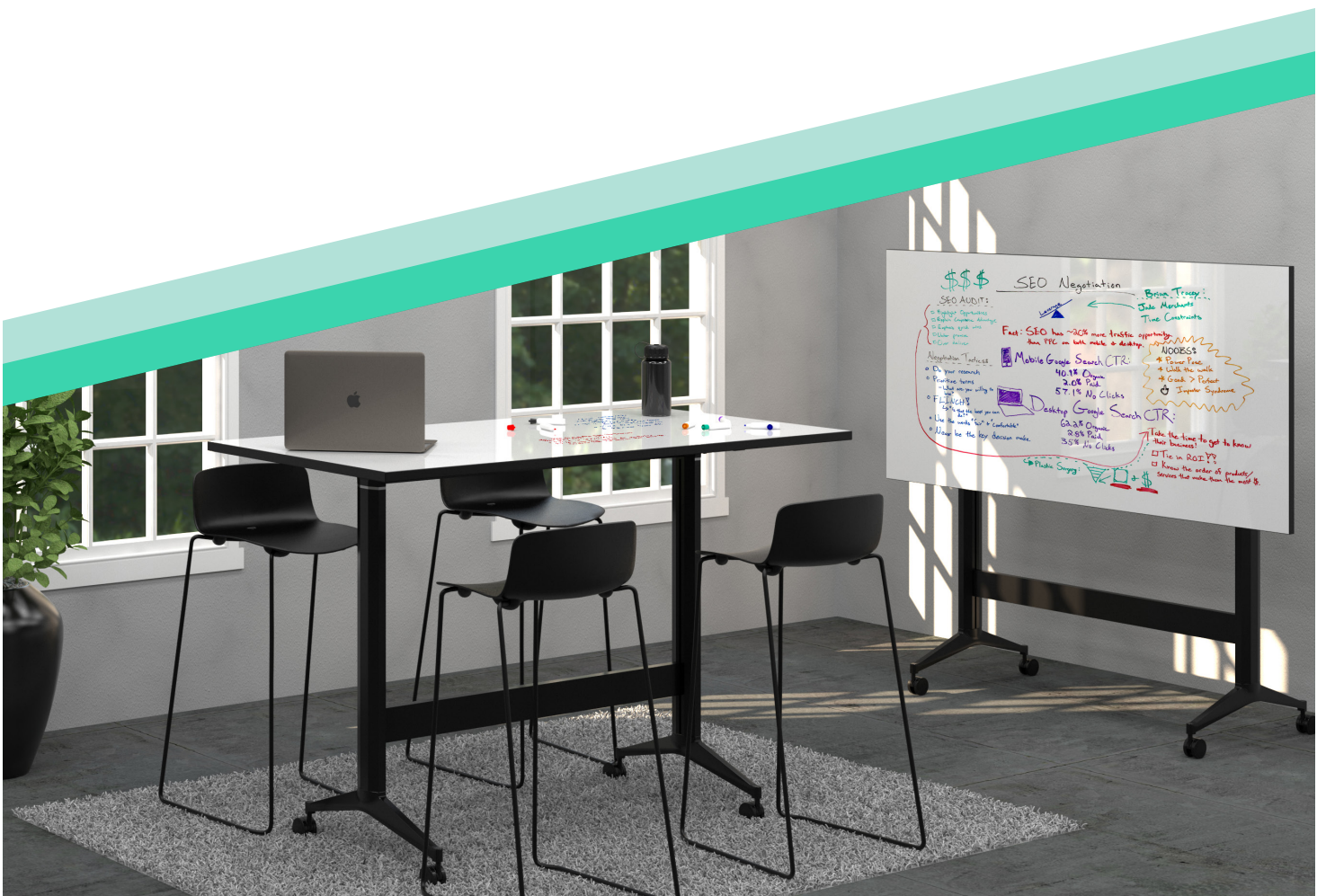


# BOOST ASSEMBLY GUIDE





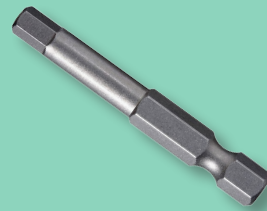
## Tools Required



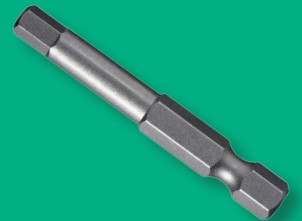
Battery Drill



#2 Phillips Driver Bit



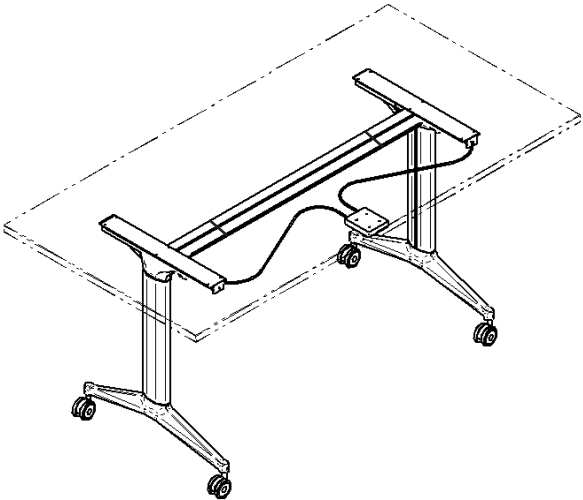
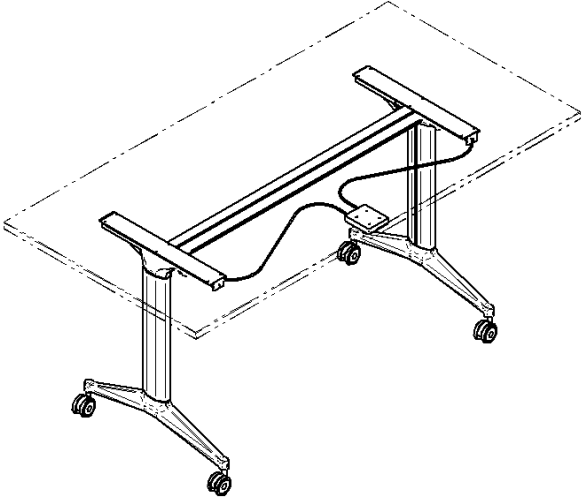
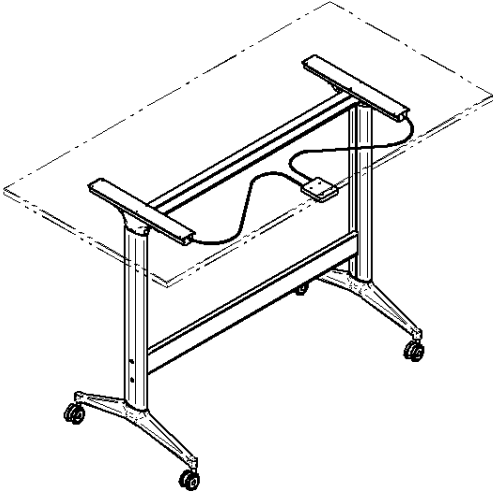
4mm Hex Bit



6mm Hex Bit



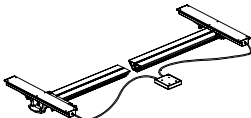
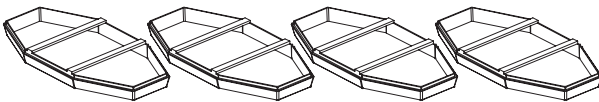
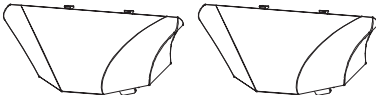
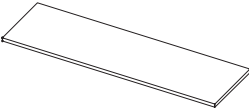
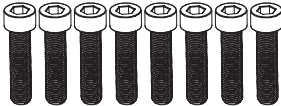
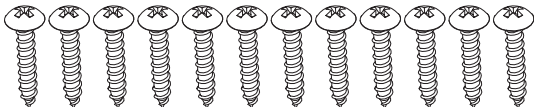
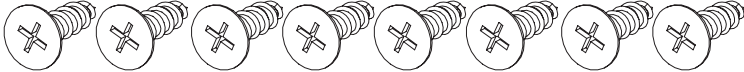


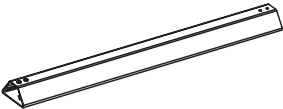
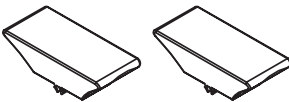
**Accent**  
workspace furniture solutions

# TABLE OF CONTENTS

CONFIGURATION	FRAME CODE	PAGE	IMAGE
Boost Flip Table With Extendable Frame	5711-1762...	4-5	
Boost Flip Table With Fixed Frame	5711-1712...	6-7	
Boost Flip Leaner With Fixed Frame	5711-1792...	8-9	

# BOOST FLIP TABLE WITH EXTENDABLE FRAME

## PARTS LIST

		QUANTITY	IMAGE
1		2pcs	
2		2pcs	
3		1pc	
4		4pcs	
5		2pcs	
6		1pc	
7	M8*30	8pcs	
8	ST4*20	8pcs	
9	ST4*14	8pcs	
10		4pcs	
11	∅8	8pcs	
12		1pc	
13		2pcs	

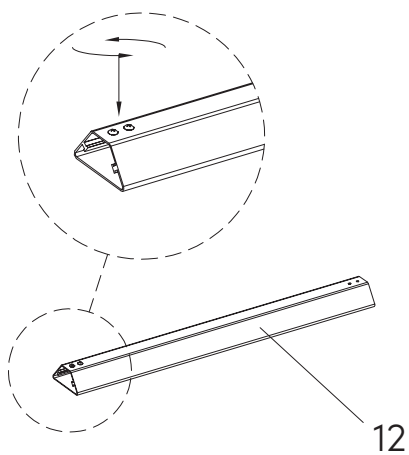


# BOOST FLIP TABLE WITH EXTENDABLE FRAME

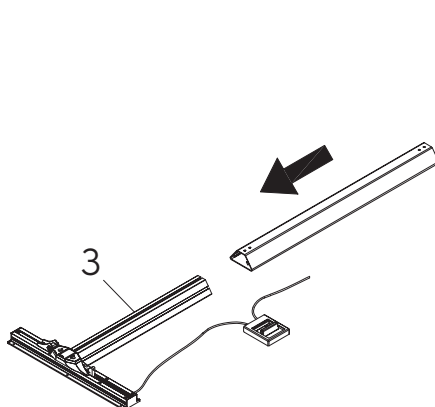
**Accent**  
workspace furniture solutions

Frame Code: 5711-1762...

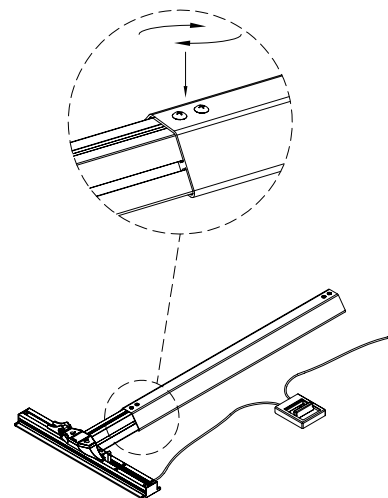
## STEP 1



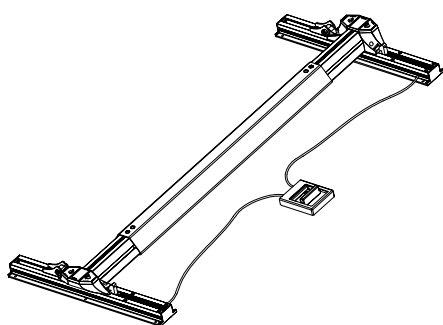
## STEP 2



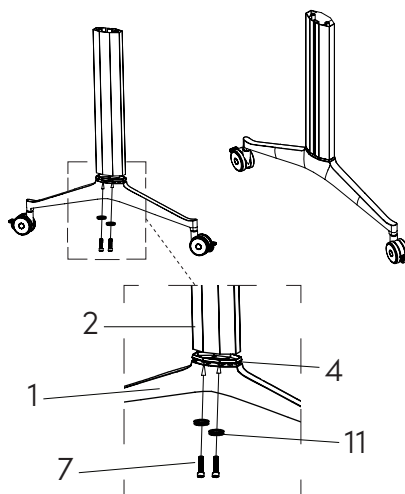
## STEP 3



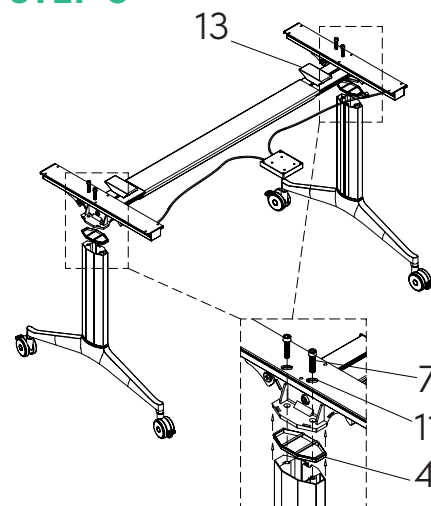
## STEP 4



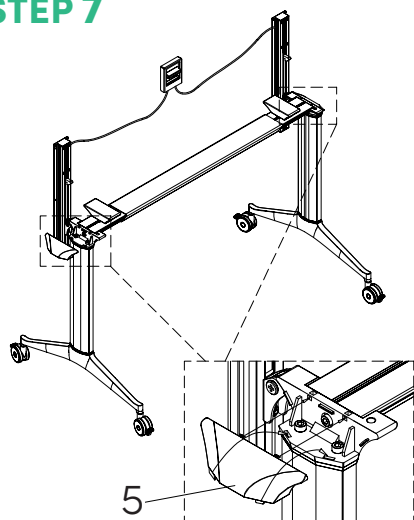
## STEP 5



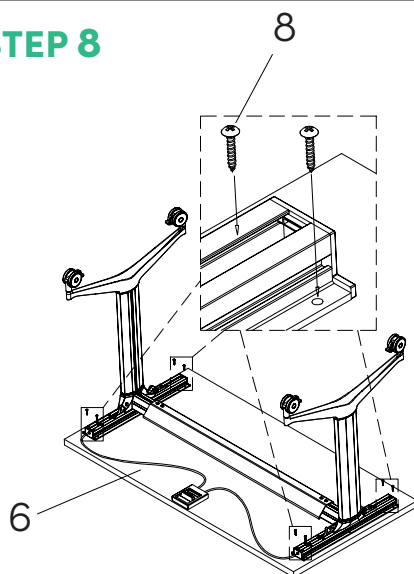
## STEP 6



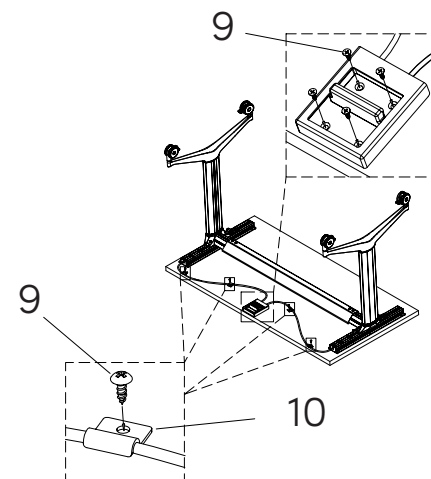
## STEP 7



## STEP 8



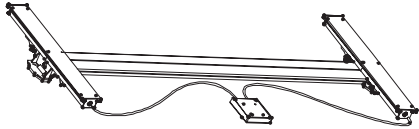
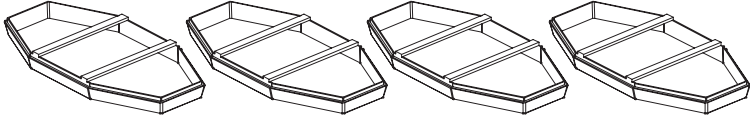
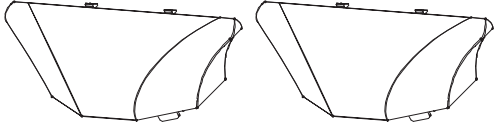
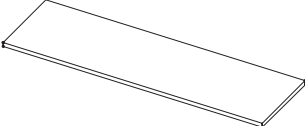
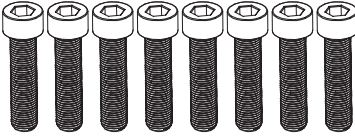
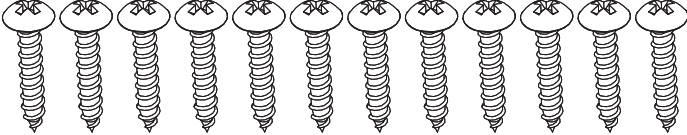
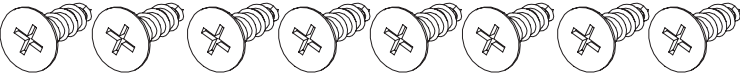

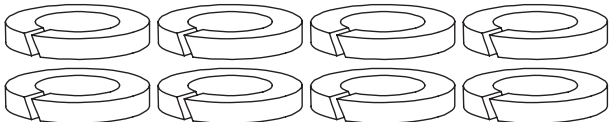


## STEP 9



# BOOST FLIP TABLE WITH FIXED FRAME

## PARTS LIST

		QUANTITY	IMAGE
1		2pcs	
2		2pcs	
3		1pc	
4		4pcs	
5		2pcs	
6		1pc	
7	M8*30	8pcs	
8	ST4*20	12pcs	
9	ST4*14	8pcs	
10		4pcs	
11	∅8	8pcs	

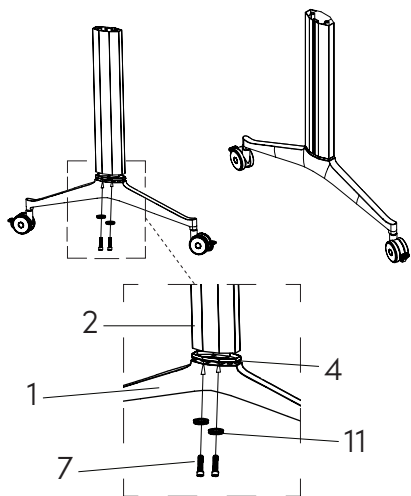
# BOOST FLIP TABLE WITH FIXED FRAME

# Accent

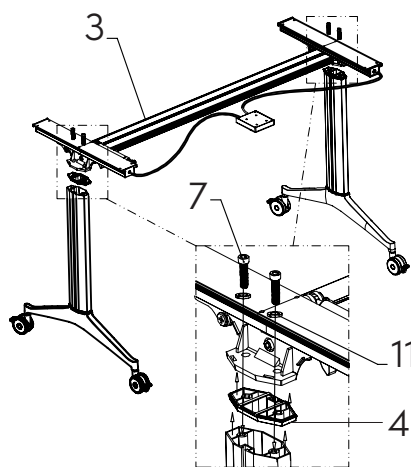
workspace furniture solutions

Frame Code: 5711-1712...

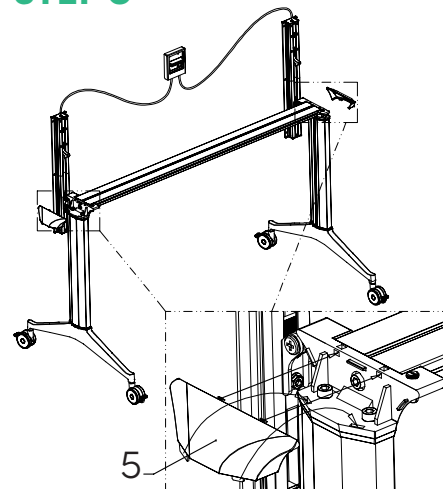
## STEP 1



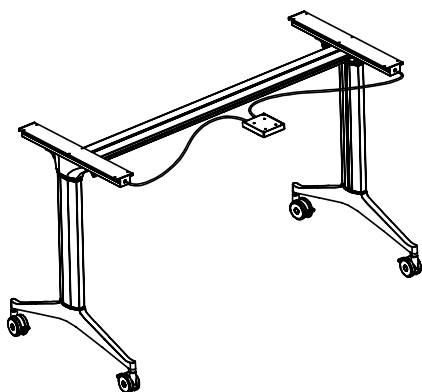
## STEP 2



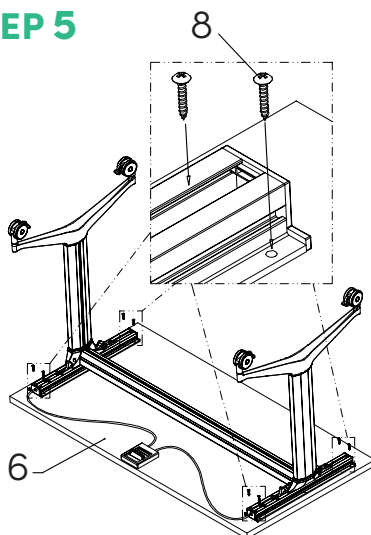
## STEP 3



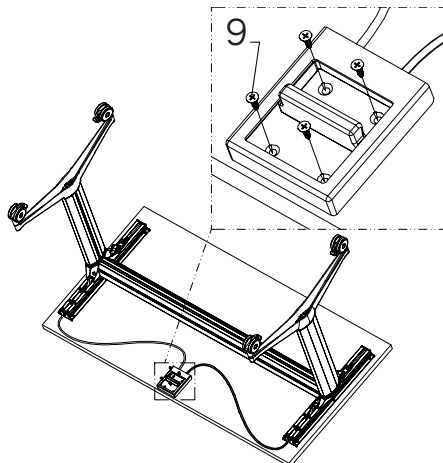
## STEP 4



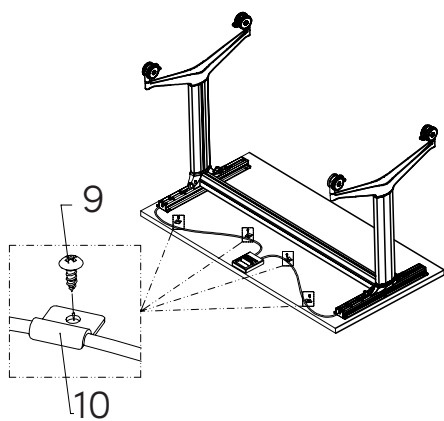
## STEP 5



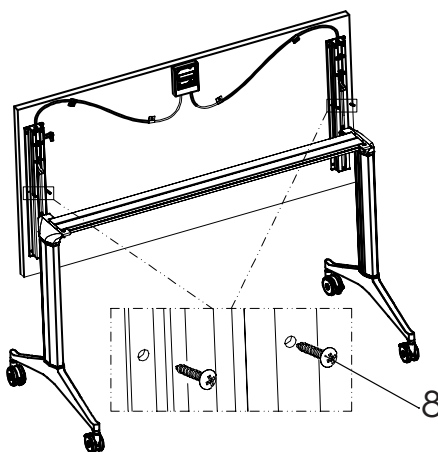
## STEP 6



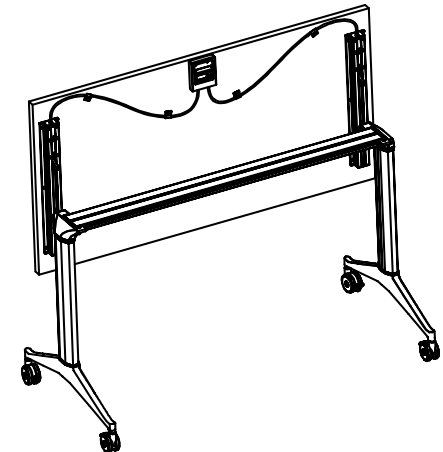
## STEP 7



## STEP 8



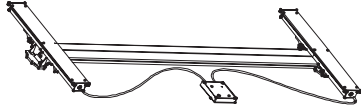
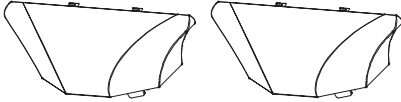
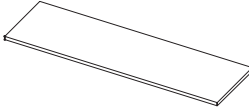
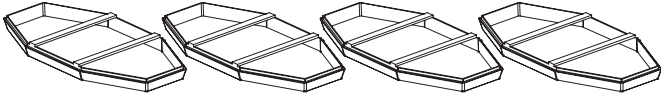
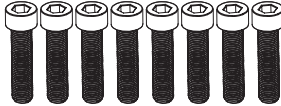
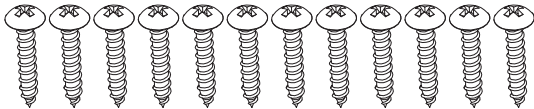
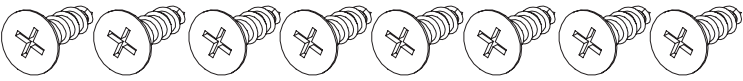
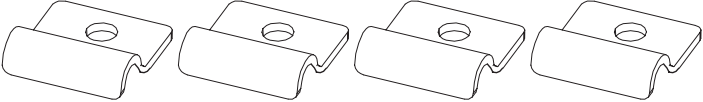


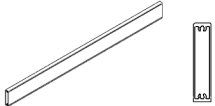
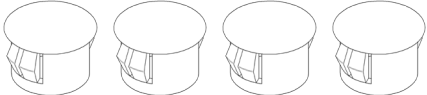


## STEP 9



# BOOST FLIP LEANER WITH FIXED FRAME

## PARTS LIST

		QUANTITY	IMAGE
1		2pcs	
2		2pcs	
3		1pcs	
4		2pcs	
5		1pcs	
6		4pcs	
7	M8*30	8pcs	
8	ST4*20	8pcs	
9	ST4*14	8pcs	
10		4pcs	
11	∅8	8pcs	
12		4pcs	
13		1pc	
14		4pcs	

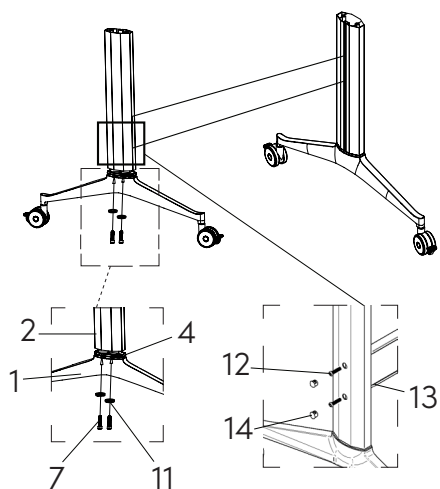


# BOOST FLIP LEANER WITH FIXED FRAME

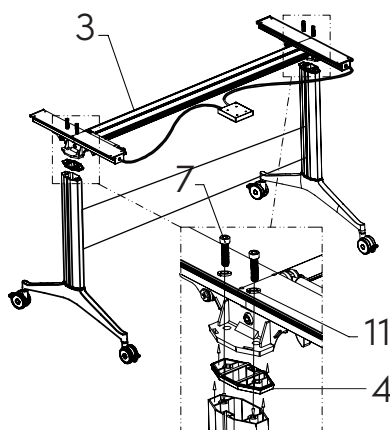
**Accent**  
workspace furniture solutions

Frame Code: 5711-1792...

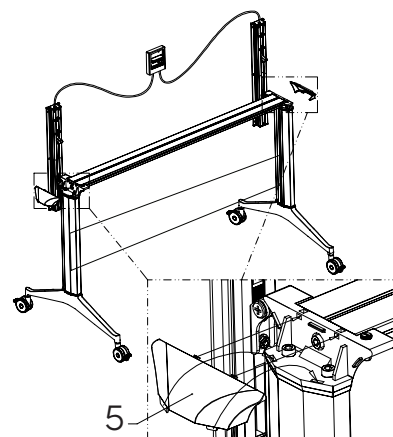
## STEP 1



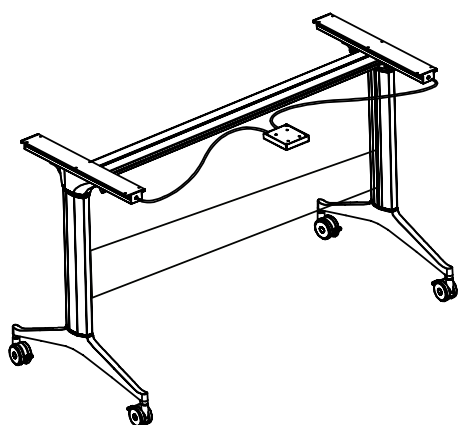
## STEP 2



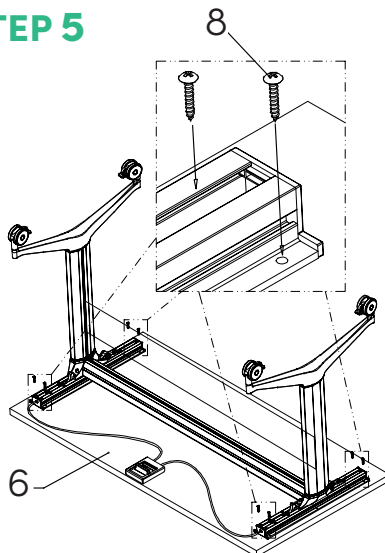
## STEP 3



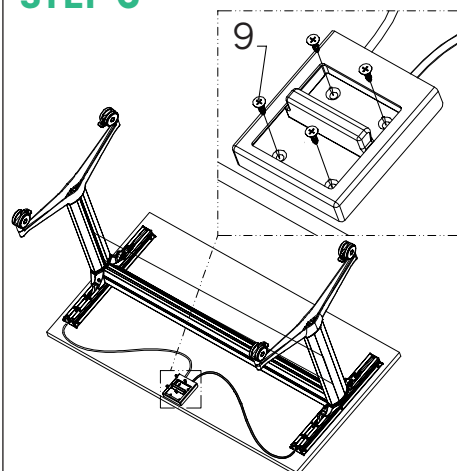
## STEP 4



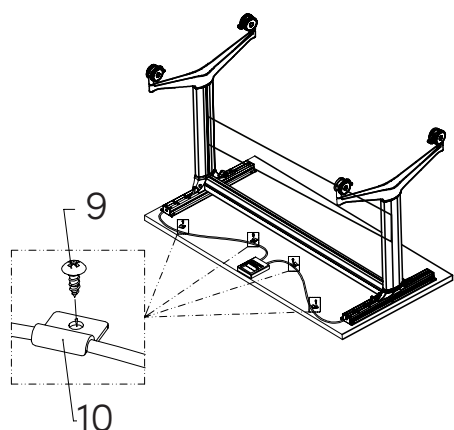
## STEP 5



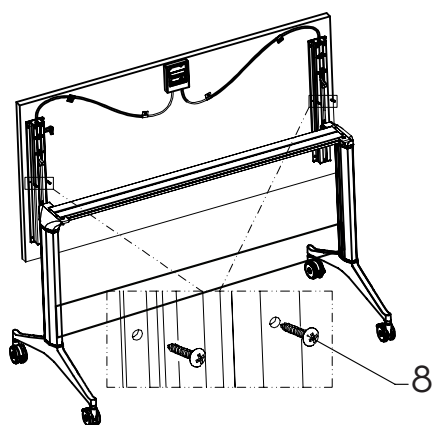
## STEP 6



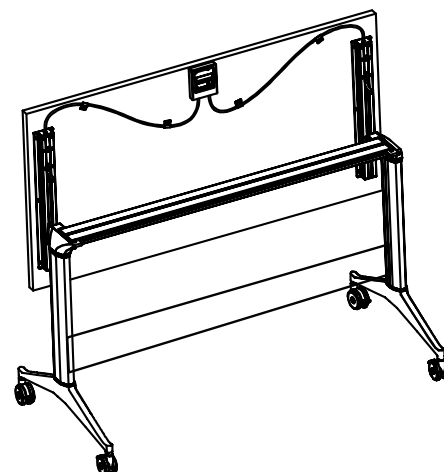
## STEP 7



## STEP 8



## STEP 9



# FACTSHEET

## CARE & MAINTENANCE

### GENERAL CARE – INFORMATION

- Avoid scourers and abrasives as they will damage the surface.
- Don't place hot objects, electrical appliances or pots straight from the oven or cooker onto your laminate surface.
- Don't cut on the laminate surface.
- Keep waxes and polishes well away as they dull the natural shine.
- Do not use strongly acidic, alkaline cleaners or bleach for normal cleaning as these might etch the surface.

### GENERAL CARE – STREAKS

Streaky marks sometimes show on dark colours after cleaning. An all-purpose cleaner such as Mr. Muscle Surface & Glass or Ajax Spray n Wipe usually removes them.

### GENERAL CARE – GREASE

Using a mild dishwashing detergent in water will remove greasy marks. Dab, wait and wipe away. Finish with an all-purpose cleaner such as Mr. Muscle Surface & Glass or Ajax Spray n Wipe.

### GENERAL CARE – SPILLS

Laminate surfaces resist staining from most household chemicals. With some accidental spills however, prompt action is essential. Wipe off beetroot, grape and berry juices, first aid preparations, concentrated bleach, oven cleaners, dishwasher detergents, artificial dyes, hair colouring and solvent based pen ink immediately. Specialty glues such as Super Glue must also be removed straight away with acetone (nail polish remover).

### GENERAL CARE – STAINS

If the stain won't budge with Mr. Muscle Surface & Glass, try methylated spirits or dab the stain with a diluted bleach mixture (1 part bleach to 8 parts water); leave for 3 minutes then wash off with water and dry. Finish off with Mr. Muscle Surface & Glass. Only as a last resort if a stain persists try 2 or 3 rubs with a crème cleanser or white toothpaste, wash and dry. Please note that bleach or these abrasive cleaners may irreversibly damage the laminate surface.

### GENERAL CARE – SCRATCHES

Laminate surfaces will withstand normal wear and tear, but can be damaged by scratching or cutting with utensils, knives and unglazed pottery. Darker colours will show scratches more readily than lighter colours. In general, dark colours and high gloss surfaces require more care and maintenance than lighter colours or lower gloss colours. To minimise scratching, always place and lift objects from the surface – never drag or slide them across the surface.



# BOOST



**Accent**  
workspace furniture solutions



0800 126 826

[support@accentworkspaces.co.nz](mailto:support@accentworkspaces.co.nz)

22 Hood Street Wellsford, Auckland 0900 New Zealand