

# OSLO TABLE **ASSEMBLY GUIDE**

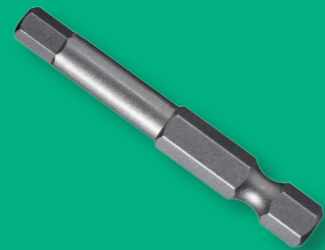




**Tools Required**



Battery Drill



4mm Hex Bit



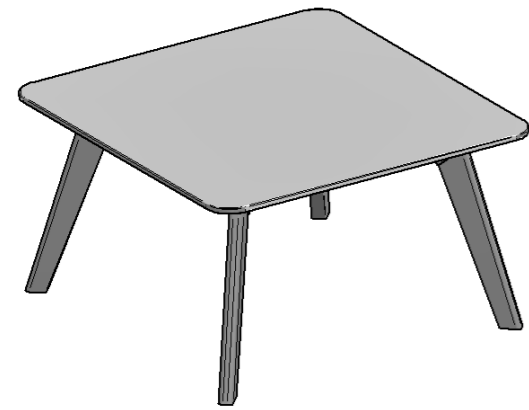
4mm Hex Key

# TABLE OF CONTENTS

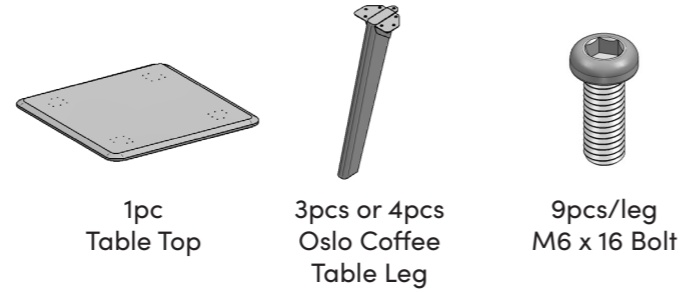
CONFIGURATION	PAGE	IMAGE
Oslo Coffee Table (3/4 Leg)		
Oslo Meeting Table (3/4/6 Leg)		
Oslo Bar Leaner		

# OSLO COFFEE TABLE

## 3-4 LEG



### PARTS LIST:

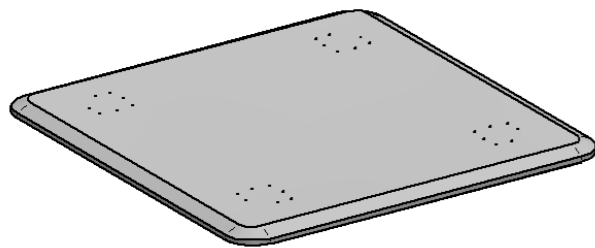


1pc  
Table Top

3pcs or 4pcs  
Oslo Coffee  
Table Leg

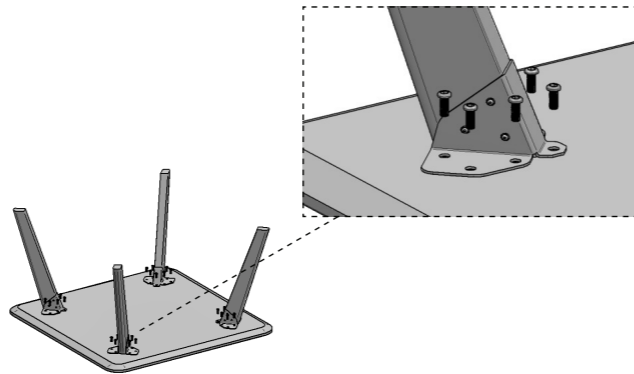
9pcs/leg  
M6 x 16 Bolt

### STEP 1



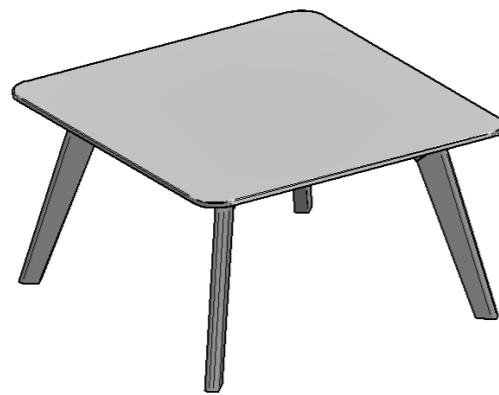
Place the table top face down on a clean flat surface.

### STEP 2



Attach the leg to the table top by using the M6 Bolts.

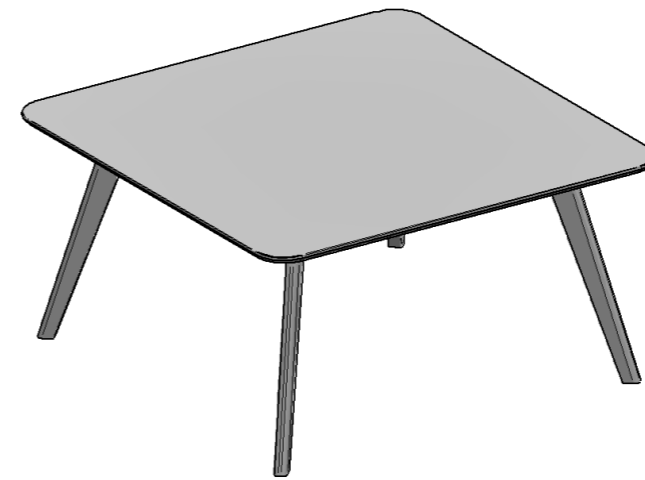
### STEP 3



Rotate the table to upright position.

# OSLO MEETING TABLE

## 3-4-6 LEG



### PARTS LIST:

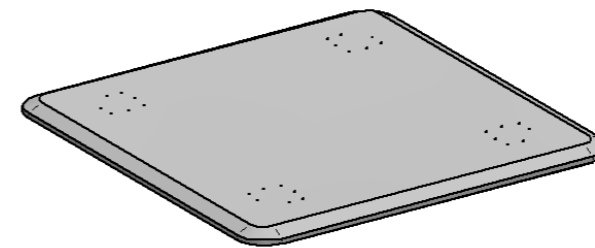


1pc  
Table Top

3pcs or 4pcs  
Oslo Coffee  
Table Leg

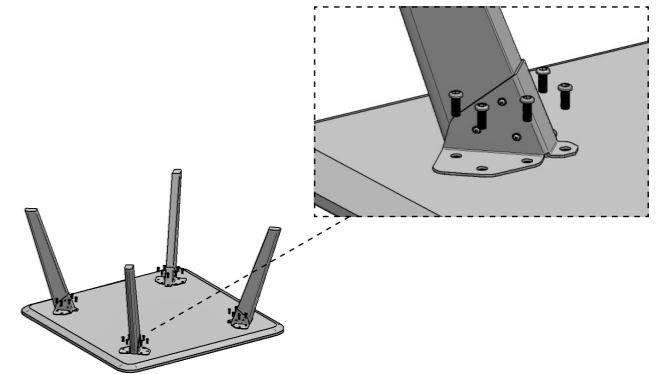
9pcs/leg  
M6 x 16 Bolt

### STEP 1



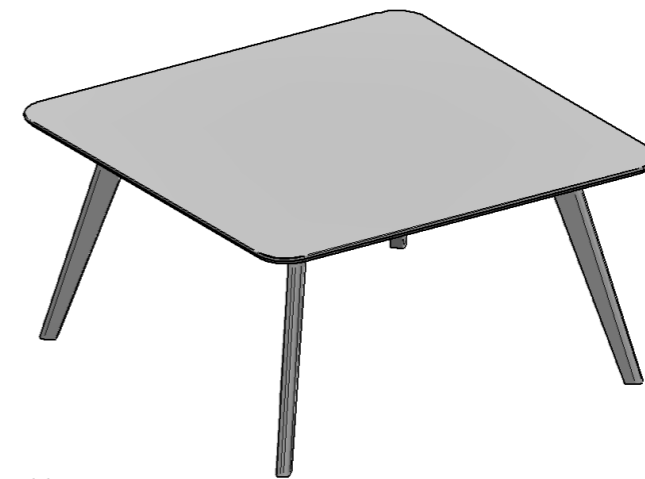
Place the table top face down on a clean flat surface.

### STEP 2



Attach the leg to the table top by using the M6 Bolts.

### STEP 3



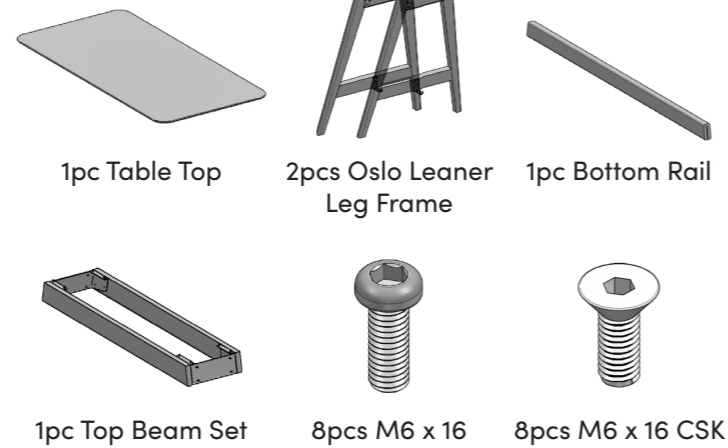
Rotate the table to upright position.



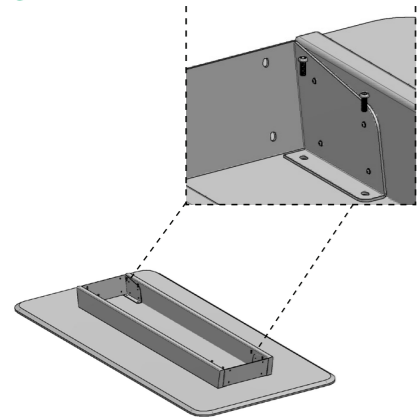
# OSLO BAR LEANER



## PARTS LIST:

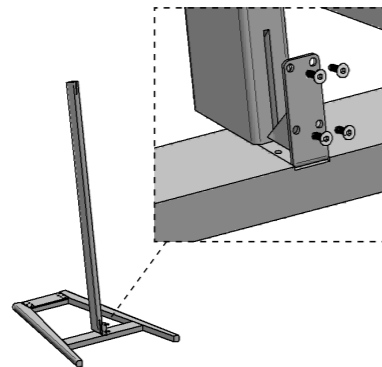


### STEP 1



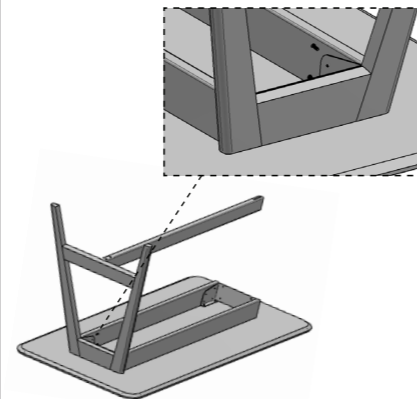
Place the table top upside down on a clean flat surface. Attach the top beam set to the table top using the M6 x 16 Bolts.

### STEP 2



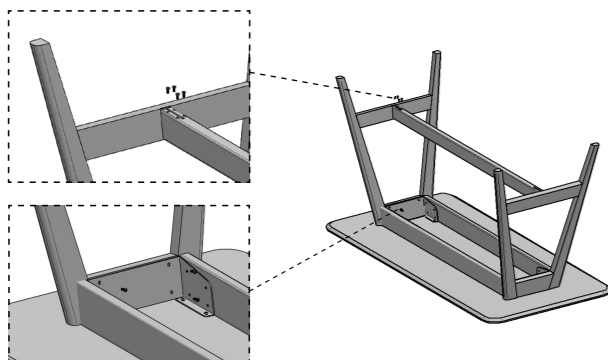
Place a leg frame on clean flat surface and attach the foot rail to it using the M6 x 16 CSK Bolts.

### STEP 3



Attach the leg frame to the end of the top beam set. Using the M6 x 16mm Bolts.

### STEP 4



Attach the other leg frame to the top frame. Using the M6 x 16 bolts and attach the foot rail to the end leg using the M6 x 16 Bolts

### STEP 5



Rotate the table to upright position.

# FACTSHEET

## CARE & MAINTENANCE

### GENERAL CARE – INFORMATION

- Avoid scourers and abrasives as they will damage the surface.
- Don't place hot objects, electrical appliances or pots straight from the oven or cooker onto your laminate surface.
- Don't cut on the laminate surface.
- Keep waxes and polishes well away as they dull the natural shine.
- Do not use strongly acidic, alkaline cleaners or bleach for normal cleaning as these might etch the surface.

### GENERAL CARE – STREAKS

Streaky marks sometimes show on dark colours after cleaning. An all-purpose cleaner such as Mr. Muscle Surface & Glass or Ajax Spray n Wipe usually removes them.

### GENERAL CARE – GREASE

Using a mild dishwashing detergent in water will remove greasy marks. Dab, wait and wipe away. Finish with an all-purpose cleaner such as Mr. Muscle Surface & Glass or Ajax Spray n Wipe.

### GENERAL CARE – SPILLS

Laminate surfaces resist staining from most household chemicals. With some accidental spills however, prompt action is essential. Wipe off beetroot, grape and berry juices, first aid preparations, concentrated bleach, oven cleaners, dishwasher detergents, artificial dyes, hair colouring and solvent based pen ink immediately. Specialty glues such as Super Glue must also be removed straight away with acetone (nail polish remover).

### GENERAL CARE – STAINS

If the stain won't budge with Mr. Muscle Surface & Glass, try methylated spirits or dab the stain with a diluted bleach mixture (1 part bleach to 8 parts water); leave for 3 minutes then wash off with water and dry. Finish off with Mr. Muscle Surface & Glass. Only as a last resort if a stain persists try 2 or 3 rubs with a crème cleanser or white toothpaste, wash and dry. Please note that bleach or these abrasive cleaners may irreversibly damage the laminate surface.

### GENERAL CARE – SCRATCHES

Laminate surfaces will withstand normal wear and tear, but can be damaged by scratching or cutting with utensils, knives and unglazed pottery. Darker colours will show scratches more readily than lighter colours. In general, dark colours and high gloss surfaces require more care and maintenance than lighter colours or lower gloss colours. To minimise scratching, always place and lift objects from the surface – never drag or slide them across the surface.



0800 126 826

[support@accentworkspaces.co.nz](mailto:support@accentworkspaces.co.nz)

22 Hood Street Wellsford, Auckland 0900 New Zealand