

# MODELLA II TABLE **ASSEMBLY GUIDE**





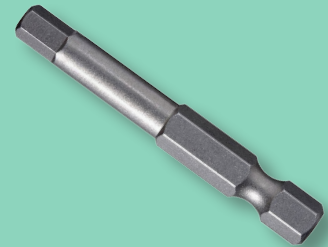
## Tools Required



Battery Drill



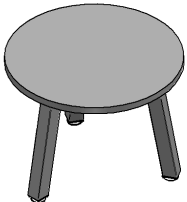
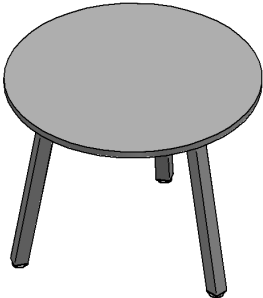
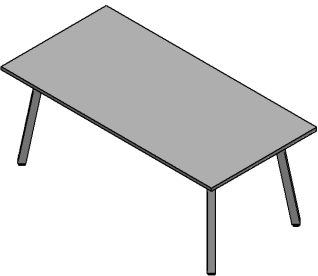
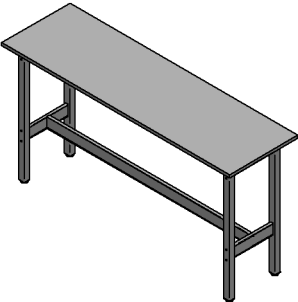
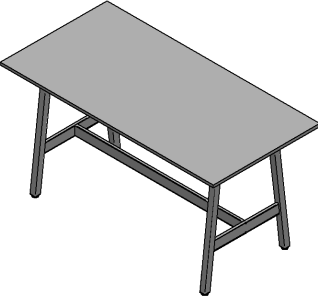
#2 Square Driver Tip



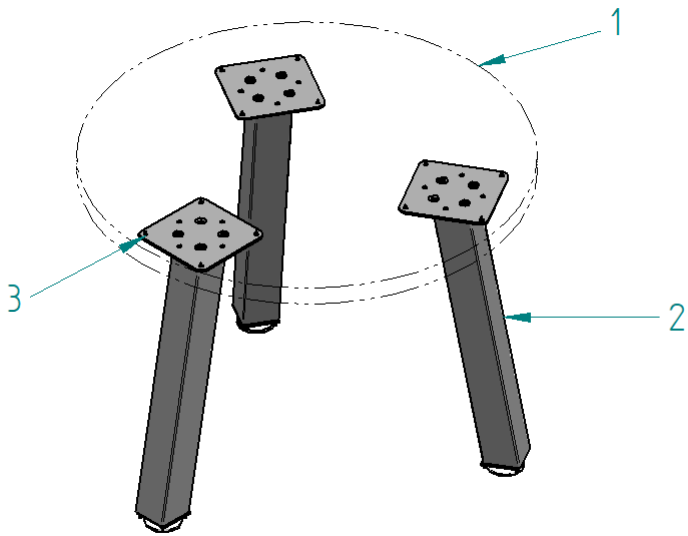
4mm Hex Bit

**Accent**  
workspace furniture solutions

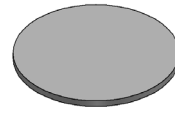
# TABLE OF CONTENTS

CONFIGURATION	PAGE	IMAGE
Coffee Table	4	
Seated Round Table 3 Leg	5	
Seated 4 leg Table	6	
Narrow Leaner	7	
Leaner Static/Mobile	8	

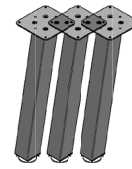
# COFFEE TABLE



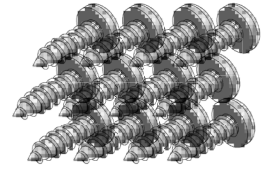
## PARTS LIST:



1pc Table Top

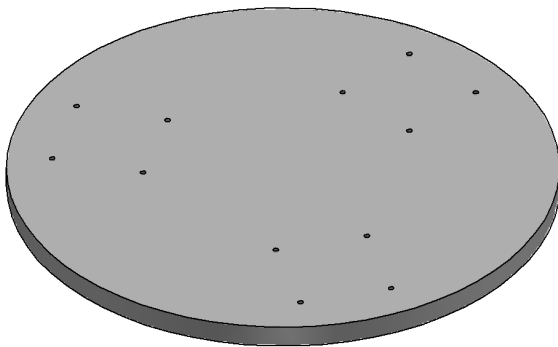


3pcs Coffee Table Leg



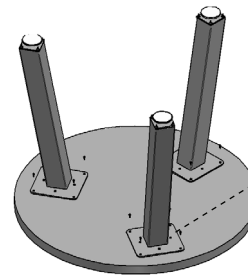
12pcs Pan Head Wood Screw

## STEP 1



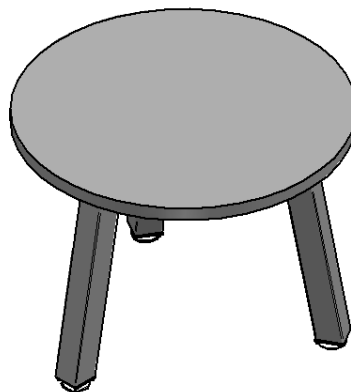
Place the table top face down on a clean flat surface.

## STEP 2

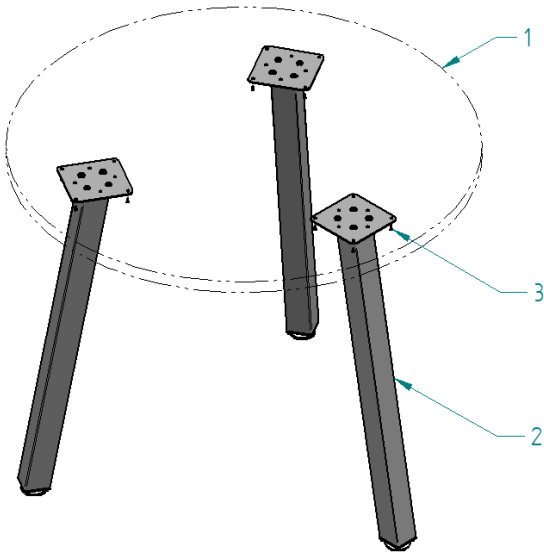


Attach the leg to the table top using the pan head wood screw. Use the location holes on the table top to position the legs.

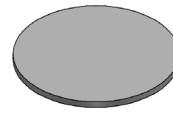
## STEP 3



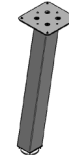
# SEATED ROUND TABLE 3 LEG



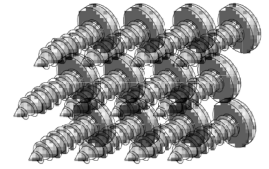
## PARTS LIST:



1pc Table Top

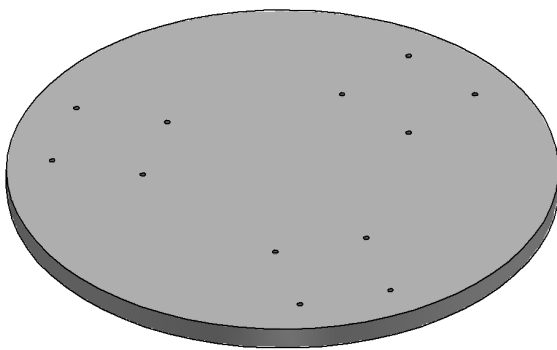


3pcs Table Leg



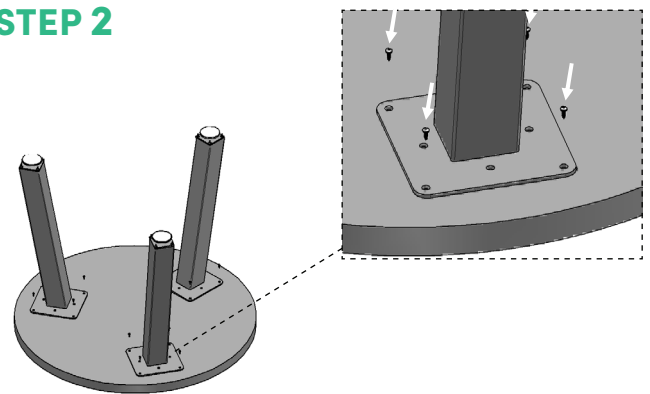
12pcs Pan Head  
Wood Screw

## STEP 1



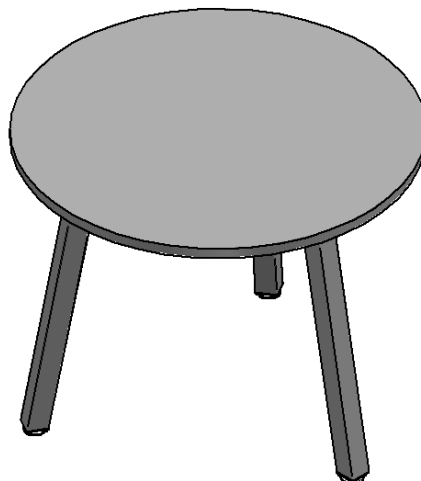
Place the table top face down on a clean flat surface.

## STEP 2



Attach the leg to the table top using the pan head wood screw. Use the location holes on the table top to position the legs.

## STEP 3



# SEATED 4 LEG TABLE

## PARTS LIST:

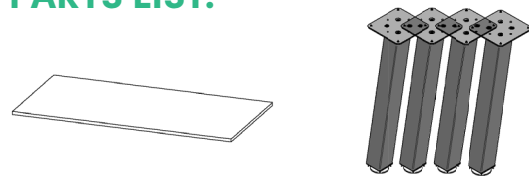
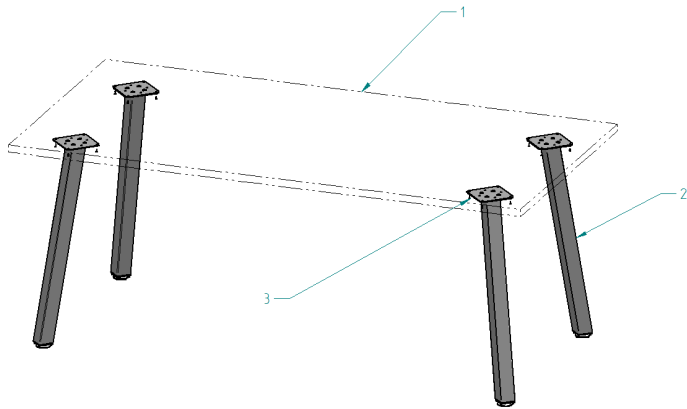
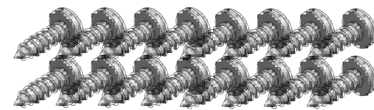


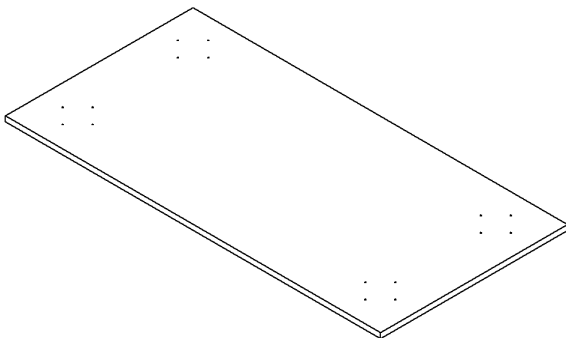
Table Top

Table Leg



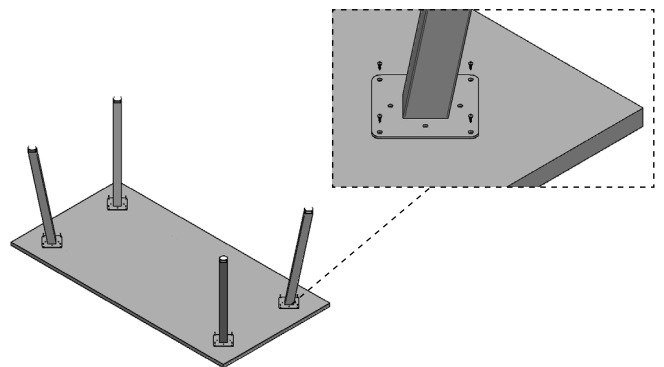
12pcs Pan Head Wood Screw

### STEP 1



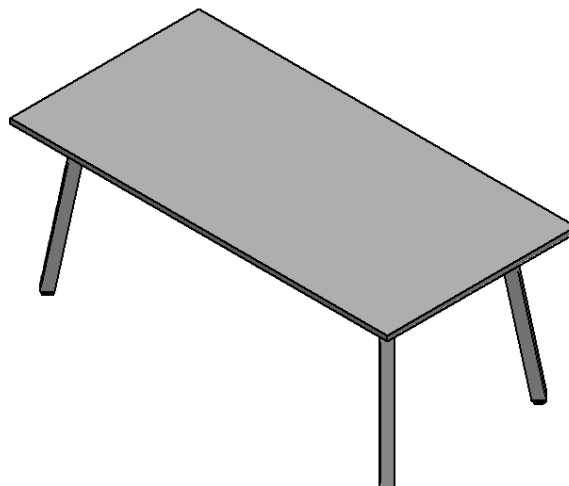
Place the table top face down on a clean flat surface.

### STEP 2



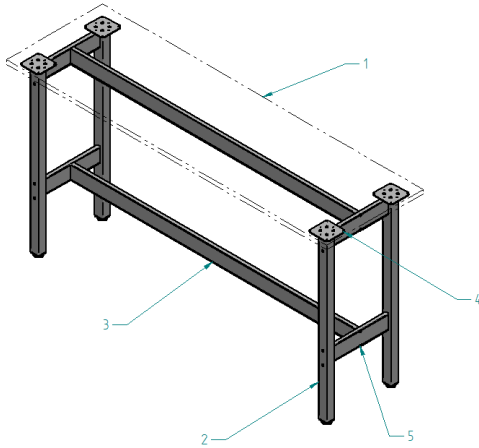
Attach the leg to the table top using the pan head wood screw. Use the location holes on the table top to position the legs.

### STEP 3

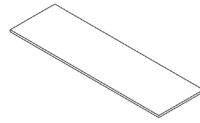




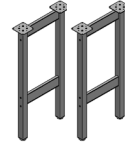
# NARROW LEANER



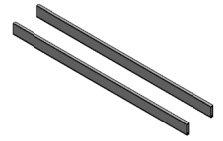
## PARTS LIST:



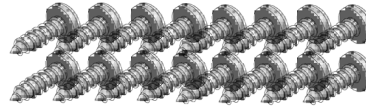
1pc Table Top



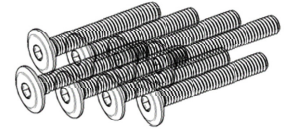
2pcs Narrow Leg



2pcs Beam

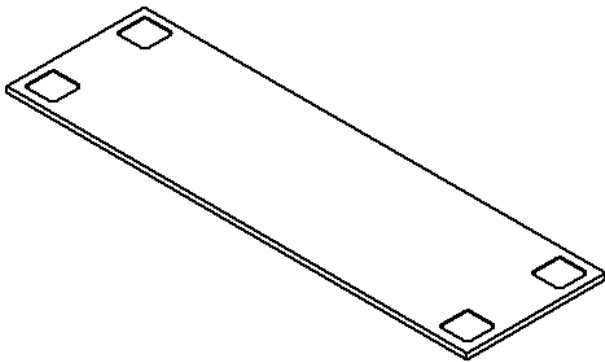


16pcs Pan Head Wood Screw



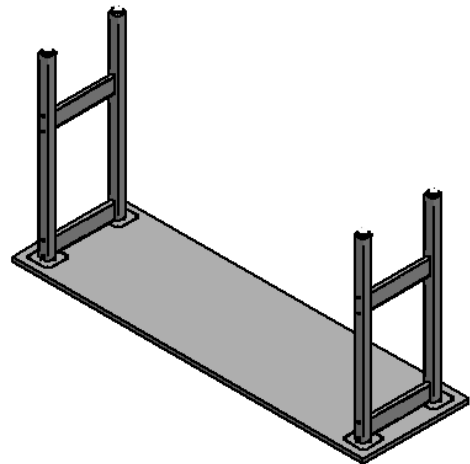
8pcs M6 x 50 Bolt

### STEP 1



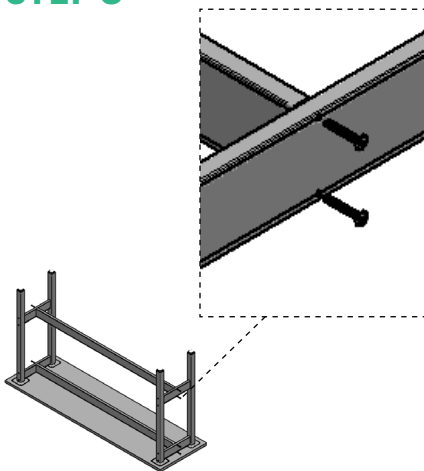
Place the table top face down on a clean flat surface.

### STEP 2



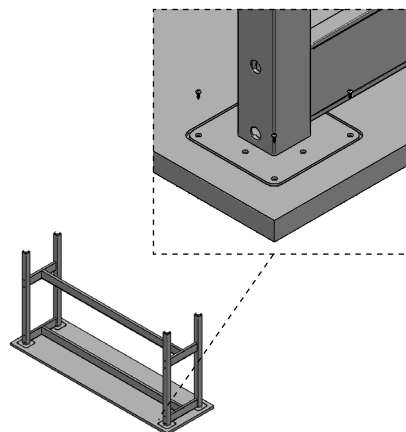
Place the Legs frame on top of the table top.

### STEP 3



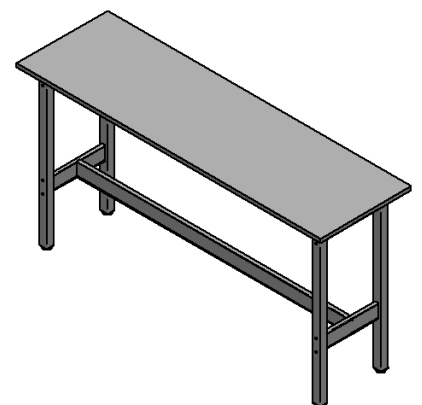
Attach the beams to the leg frames using M6 x 50 Bolt.

### STEP 4



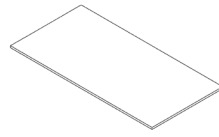
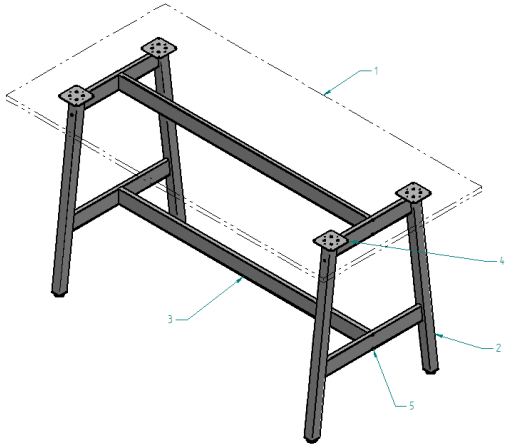
Attach the Modella II Table frame to the table top using using pan head wood screw.

### STEP 5

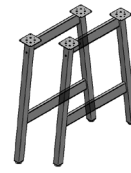


# LEANER STATIC/MOBILE

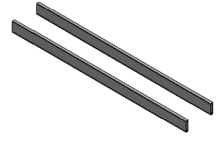
## PARTS LIST:



1pc Table Top



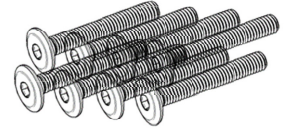
2pcs Angled Leaner Frame



2pcs Beam

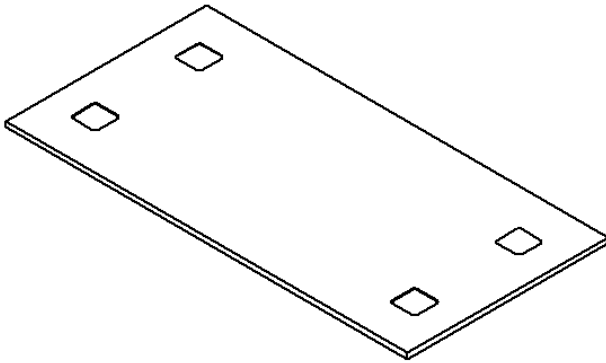


16pcs Pan Head Wood Screw



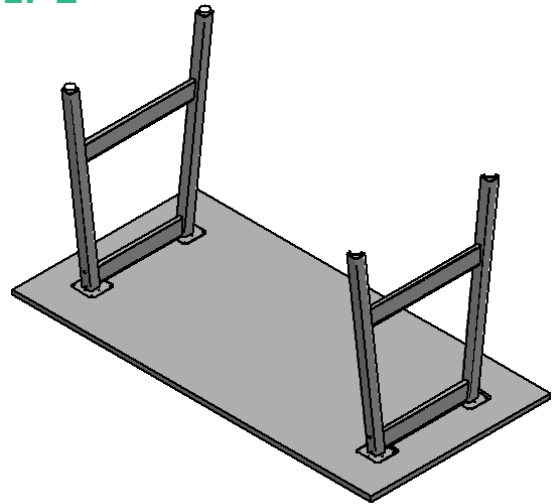
8pcs M6 x 50 Bolt

### STEP 1



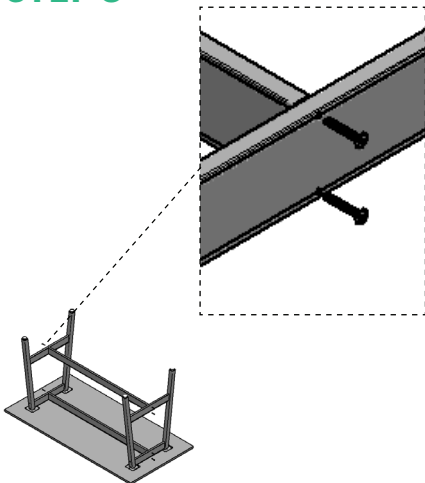
Place the table top face down on a clean flat surface.

### STEP 2



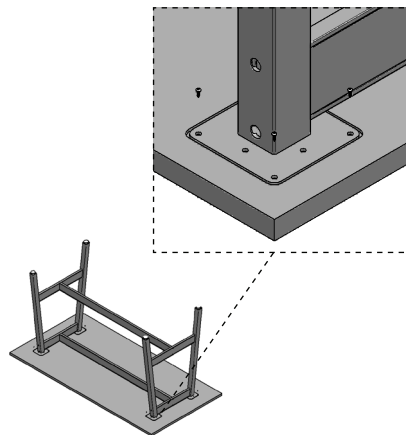
Place the leg frames on top of the table top.

### STEP 3



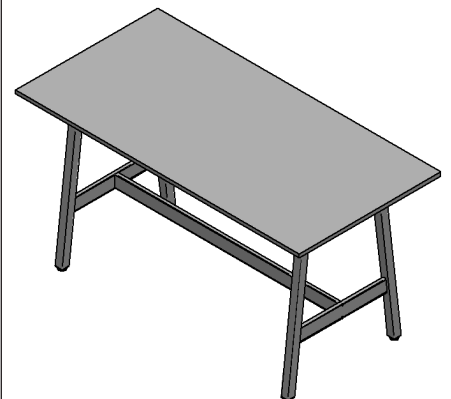
Attach the beams to the leg frames using M6 x 50 Bolt.

### STEP 4



Attach the Modella II Table frame to the table top using the pan head wood screw.

### STEP 5





# FACTSHEET

## CARE & MAINTENANCE

### GENERAL CARE – INFORMATION

- Avoid scourers and abrasives as they will damage the surface.
- Don't place hot objects, electrical appliances or pots straight from the oven or cooker onto your laminate surface.
- Don't cut on the laminate surface.
- Keep waxes and polishes well away as they dull the natural shine.
- Do not use strongly acidic, alkaline cleaners or bleach for normal cleaning as these might etch the surface.

### GENERAL CARE – STREAKS

Streaky marks sometimes show on dark colours after cleaning. An all-purpose cleaner such as Mr. Muscle Surface & Glass or Ajax Spray n Wipe usually removes them.

### GENERAL CARE – GREASE

Using a mild dishwashing detergent in water will remove greasy marks. Dab, wait and wipe away. Finish with an all-purpose cleaner such as Mr. Muscle Surface & Glass or Ajax Spray n Wipe.

### GENERAL CARE – SPILLS

Laminate surfaces resist staining from most household chemicals. With some accidental spills however, prompt action is essential. Wipe off beetroot, grape and berry juices, first aid preparations, concentrated bleach, oven cleaners, dishwasher detergents, artificial dyes, hair colouring and solvent based pen ink immediately. Specialty glues such as Super Glue must also be removed straight away with acetone (nail polish remover).

### GENERAL CARE – STAINS

If the stain won't budge with Mr. Muscle Surface & Glass, try methylated spirits or dab the stain with a diluted bleach mixture (1 part bleach to 8 parts water); leave for 3 minutes then wash off with water and dry. Finish off with Mr. Muscle Surface & Glass. Only as a last resort if a stain persists try 2 or 3 rubs with a crème cleanser or white toothpaste, wash and dry. Please note that bleach or these abrasive cleaners may irreversibly damage the laminate surface.

### GENERAL CARE – SCRATCHES

Laminate surfaces will withstand normal wear and tear, but can be damaged by scratching or cutting with utensils, knives and unglazed pottery. Darker colours will show scratches more readily than lighter colours. In general, dark colours and high gloss surfaces require more care and maintenance than lighter colours or lower gloss colours. To minimise scratching, always place and lift objects from the surface – never drag or slide them across the surface.







**Accent**  
workspace furniture solutions





0800 126 826

[support@accentworkspaces.co.nz](mailto:support@accentworkspaces.co.nz)

22 Hood Street Wellsford, Auckland 0900 New Zealand