

SHOT TABLE **ASSEMBLY GUIDE**





Tools Required



Battery Drill



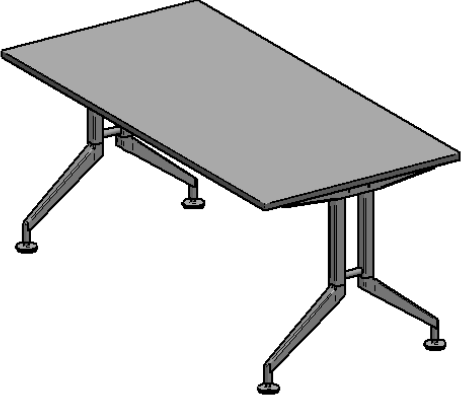
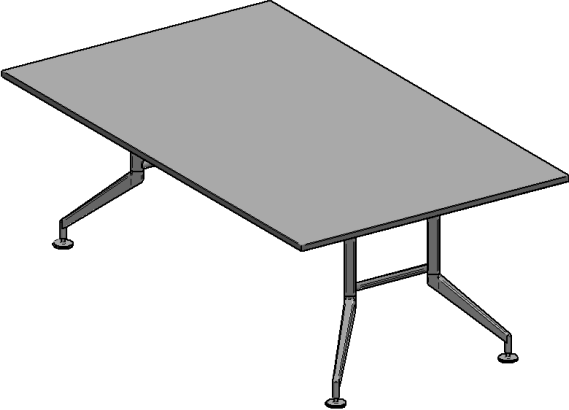
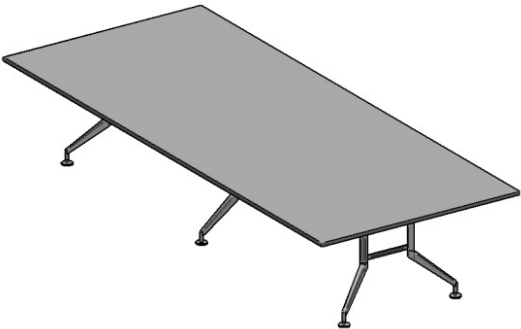
Phillips Driver Tip



5mm Hex Key

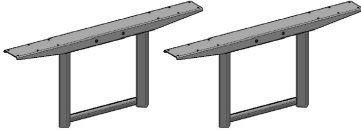
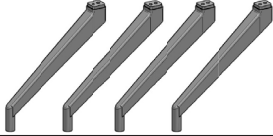
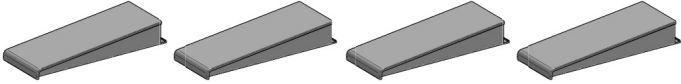
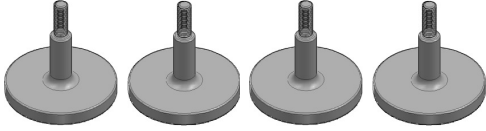
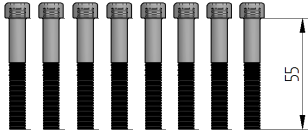

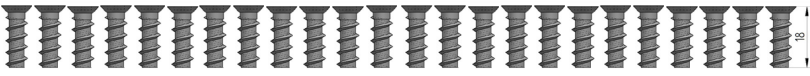

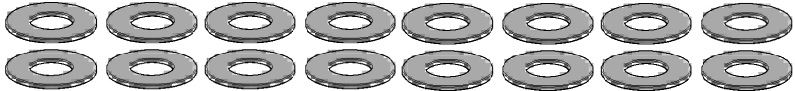

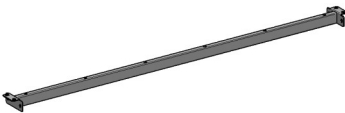
Accent
workspace furniture solutions

TABLE OF CONTENTS

CONFIGURATION	PAGE	IMAGE
Single Beam or Straight Leg	4-5	
1 Double Beam	6-7	
2 or More Double Beams	8-9	

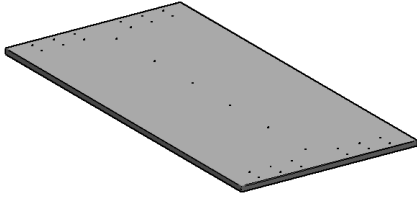
SINGLE BEAM OR STRAIGHT LEG

PARTS LIST

PARTS NO.	QUANTITY	IMAGE
1	2pcs	
2	4pcs	
3	4pcs	
4	4pcs	
5	8pcs	
6	6pcs	
7	24pcs	
8	8pcs	
9	16pcs	
10	8pcs	
Beam	1pc	

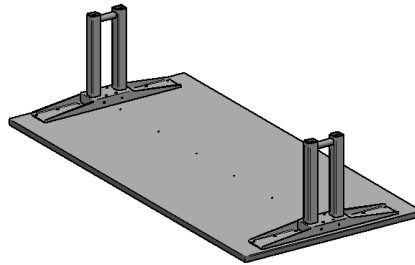
ASSEMBLY INSTRUCTION

STEP 1



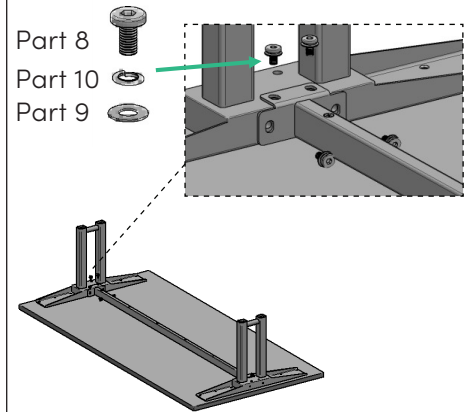
Place the table top face down on a clean flat surface.

STEP 2



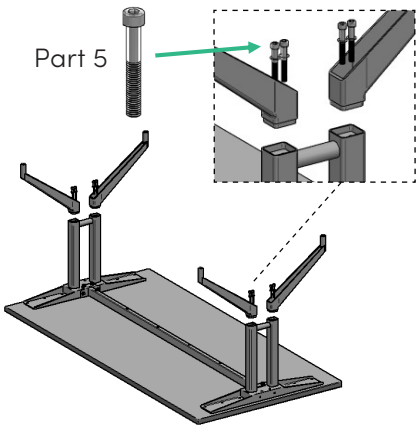
Place Part 1 on the table top. The holes on Part 1 will match the pre-drilled holes on the table top.

STEP 3



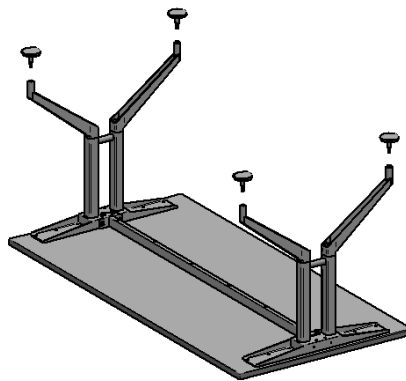
Attach the beam to Part 1. Using Parts 8, 10 and 9.

STEP 4



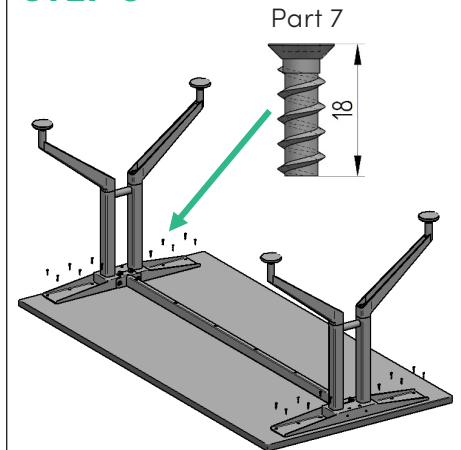
Attach Part 2 to Part 1. Using Part 5 and Part 9.

STEP 5



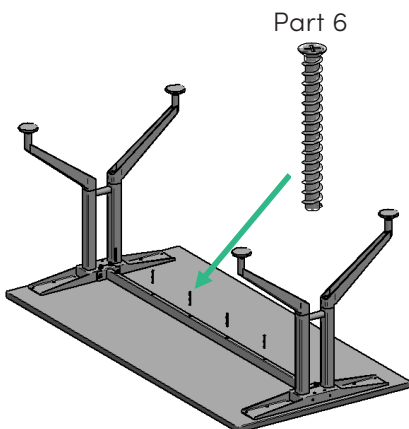
Attach Part 4 to Part 2.

STEP 6



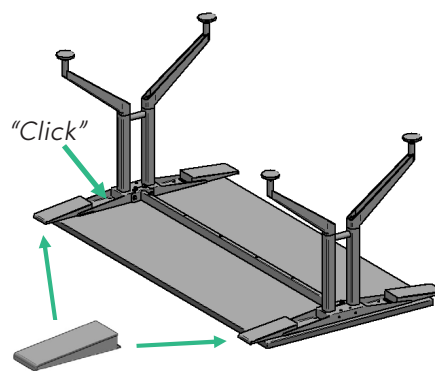
Attach Part 1 to the table top, using Part 7.

STEP 7



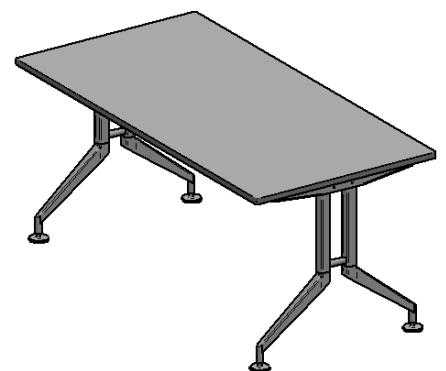
Attach the beam to the table top. Using part 6.

STEP 8



Install Part 3. Make sure it "clicks" to confirm it is installed correctly.

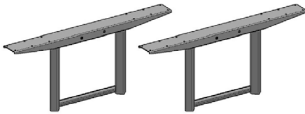
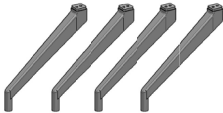
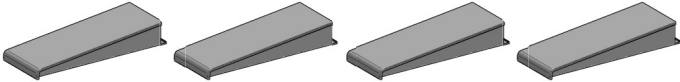
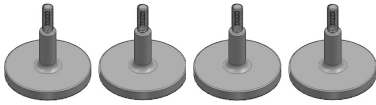
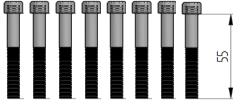
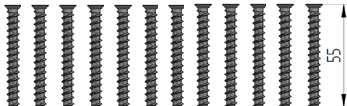
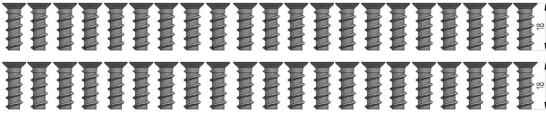

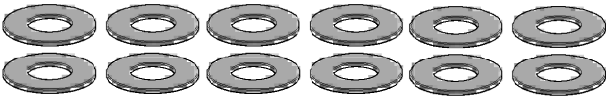



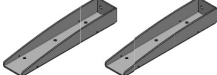
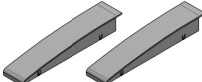
STEP 9



Rotate the table to upright position.

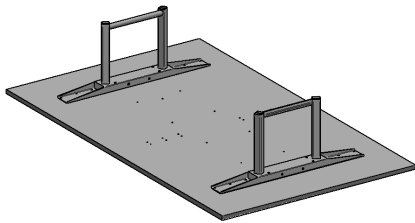
1 DOUBLE BEAM

PARTS LIST

PARTS NO.	QUANTITY	IMAGE
1	2pcs	
2	4pcs	
3	4pcs	
4	4pcs	
5	8pcs	
6	12pcs	
7	36pcs	
8	16pcs	
9	12pcs	
10	8pcs	
11	4pcs	
12	1pc	
13	2pcs	
14	2pcs	

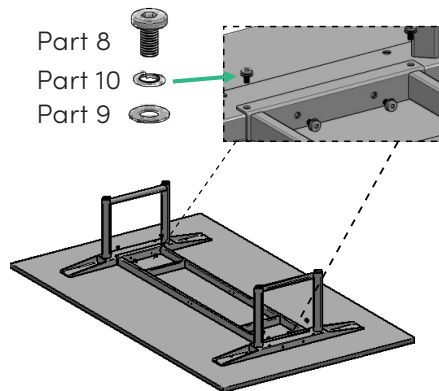
ASSEMBLY INSTRUCTION

STEP 1



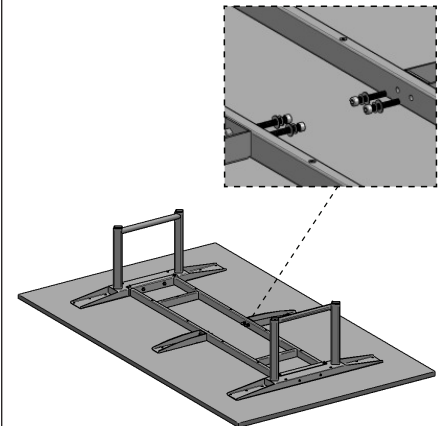
Place the table top face down on a clean flat surface. Place Part 1 on the table top. The holes on Part 1 will match the pre-drilled holes on the table top.

STEP 2



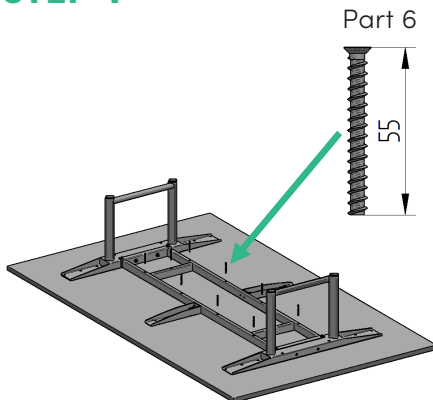
Attach Part 12 to Part 1. Using Part 8, 10 and 9.

STEP 3



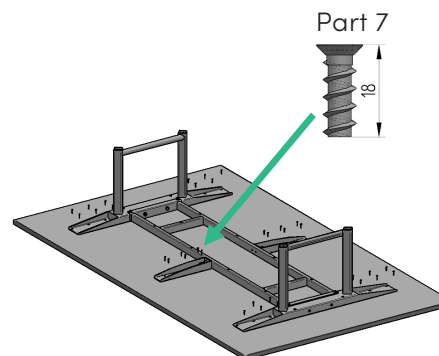
Attach Part 13 to Part 12. Using Part 11 and Part 9.

STEP 4



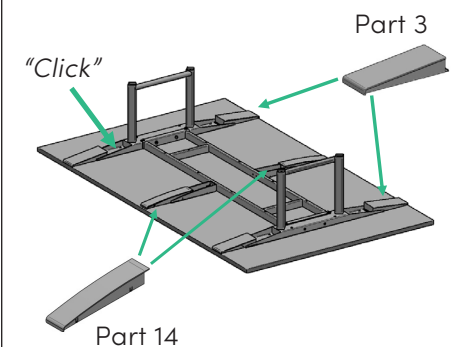
Attach Part 12 to the table top. Using Part 6.

STEP 5



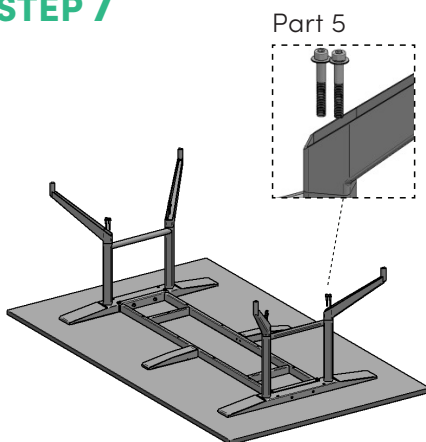
Attach Part 12 and Part 13 to the table top. Using Part 7.

STEP 6



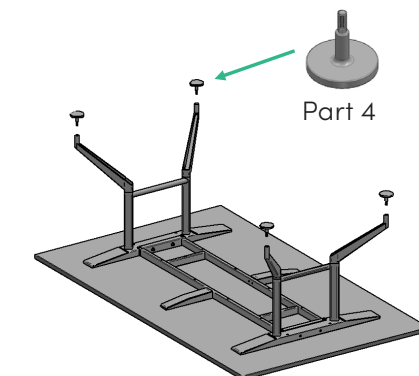
Install Part 3 and Part 14. Make sure it "clicks" to confirm it is installed correctly.

STEP 7



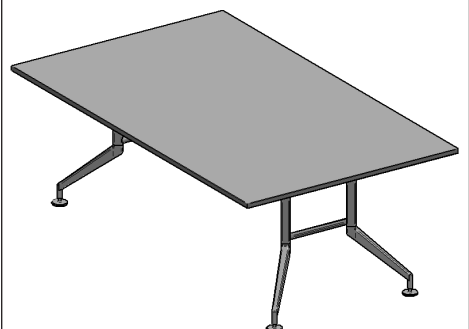
Attach Part 2 to Part 1. using Part 5 and Part 9.

STEP 8



Install Part 4.

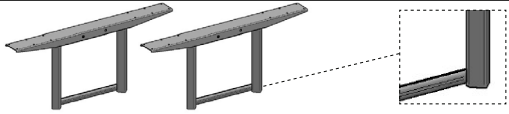
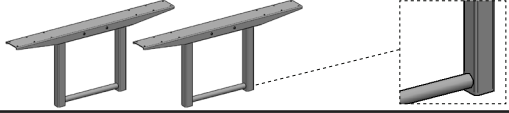
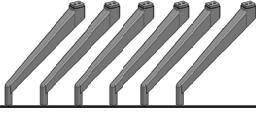
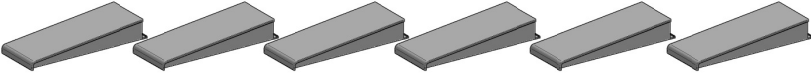
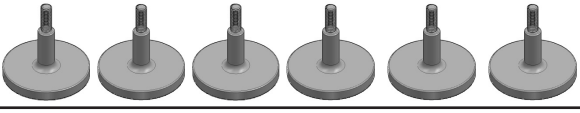

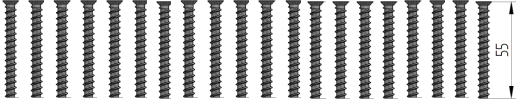


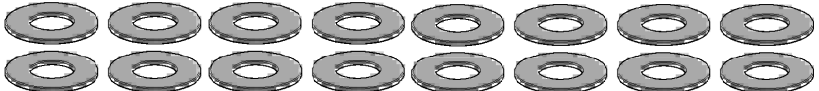
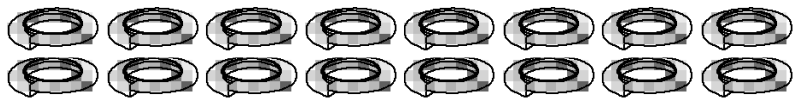
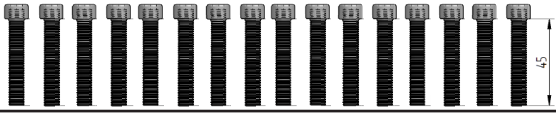

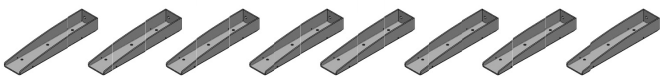
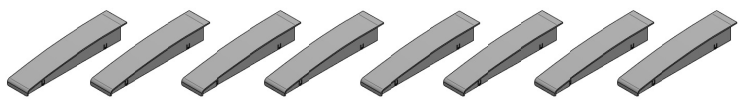
STEP 9



Rotate the table to upright position.

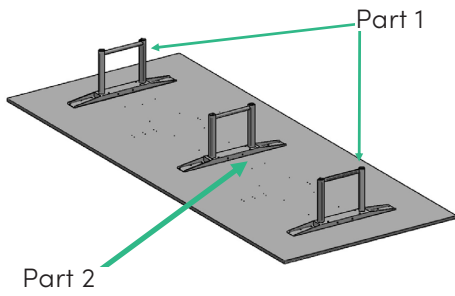
2 OR MORE DOUBLE BEAMS

PARTS LIST

PARTS NO.	QUANTITY	IMAGE
1	2pcs	
2	1/2pcs	
3	6pcs	
4	6pcs	
5	6pcs	
6	12/16pcs	
7	20pcs	
8	60pcs	
9	16pcs	
10	16pcs	
11	8pcs	
12	4/8/16pcs	
13	2/3/4pcs	
14	4/8pcs	
15	4/8pcs	

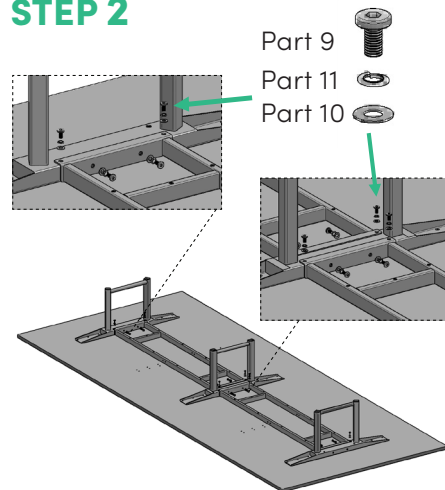
ASSEMBLY INSTRUCTION

STEP 1



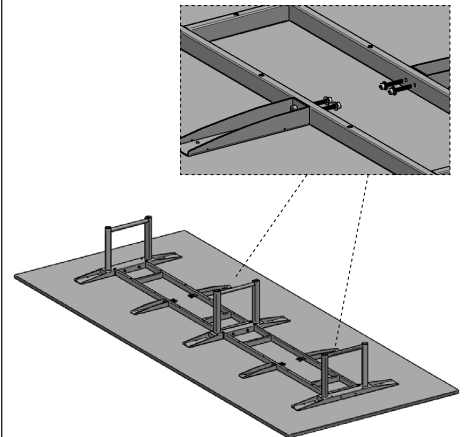
Place the table top face down on a clean flat surface. Place Part 1 and Part 15 on the table top. The holes on Part 1 and Part 15 will match the pre-drilled holes on the table top.

STEP 2



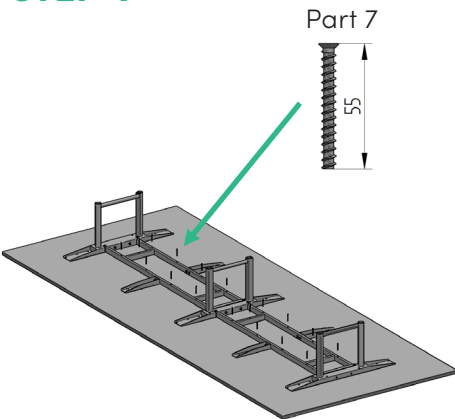
Attach Part 13 to Part 1. Using Part 9, Part 10 and 11.

STEP 3



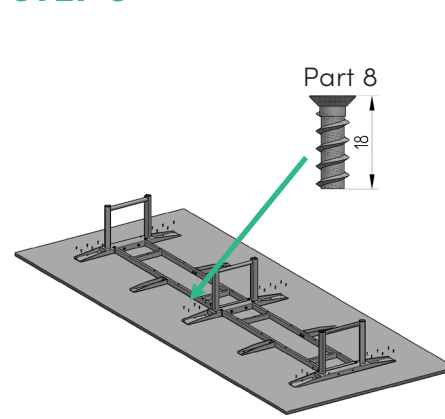
Attach Part 14 to Part 13. Using Part 12 and Part 10.

STEP 4



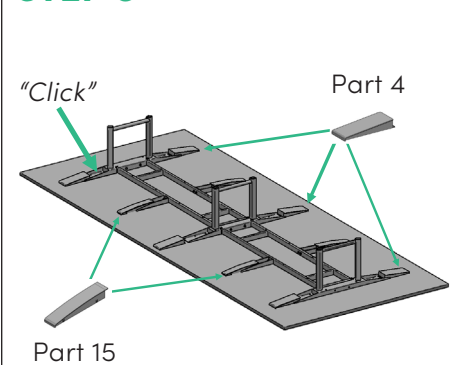
Attach Part 13 to the table top. Using Part 7.

STEP 5



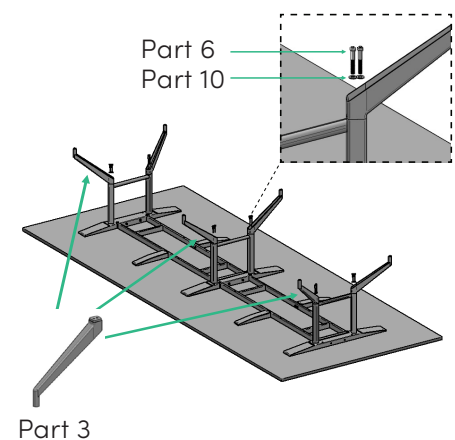
Attach Part 13 and Part 14 to the table top. Using Part 7.

STEP 6



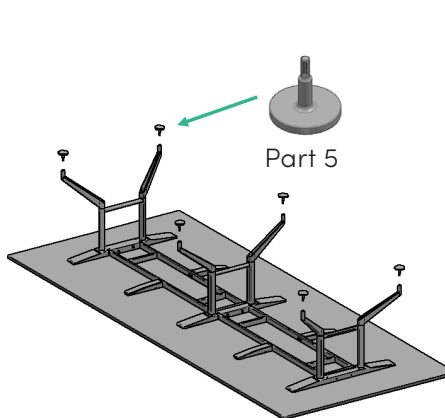
Install Part 4 and Part 15. Make sure it "clicks" to confirm it is installed correctly.

STEP 7



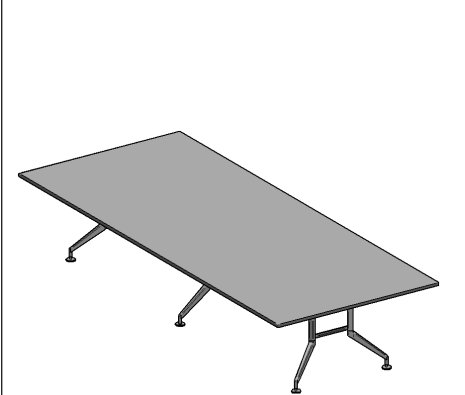
Attach Part 3 to Part 1. using Part 6 and Part 10.

STEP 8



Install Part 5.

STEP 9



Rotate the table to upright position.

FACTSHEET

CARE & MAINTENANCE

GENERAL CARE – INFORMATION

- Avoid scourers and abrasives as they will damage the surface.
- Don't place hot objects, electrical appliances or pots straight from the oven or cooker onto your laminate surface.
- Don't cut on the laminate surface.
- Keep waxes and polishes well away as they dull the natural shine.
- Do not use strongly acidic, alkaline cleaners or bleach for normal cleaning as these might etch the surface.

GENERAL CARE – STREAKS

Streaky marks sometimes show on dark colours after cleaning. An all-purpose cleaner such as Mr. Muscle Surface & Glass or Ajax Spray n Wipe usually removes them.

GENERAL CARE – GREASE

Using a mild dishwashing detergent in water will remove greasy marks. Dab, wait and wipe away. Finish with an all-purpose cleaner such as Mr. Muscle Surface & Glass or Ajax Spray n Wipe.

GENERAL CARE – SPILLS

Laminate surfaces resist staining from most household chemicals. With some accidental spills however, prompt action is essential. Wipe off beetroot, grape and berry juices, first aid preparations, concentrated bleach, oven cleaners, dishwasher detergents, artificial dyes, hair colouring and solvent based pen ink immediately. Specialty glues such as Super Glue must also be removed straight away with acetone (nail polish remover).

GENERAL CARE – STAINS

If the stain won't budge with Mr. Muscle Surface & Glass, try methylated spirits or dab the stain with a diluted bleach mixture (1 part bleach to 8 parts water); leave for 3 minutes then wash off with water and dry. Finish off with Mr. Muscle Surface & Glass. Only as a last resort if a stain persists try 2 or 3 rubs with a crème cleanser or white toothpaste, wash and dry. Please note that bleach or these abrasive cleaners may irreversibly damage the laminate surface.

GENERAL CARE – SCRATCHES

Laminate surfaces will withstand normal wear and tear, but can be damaged by scratching or cutting with utensils, knives and unglazed pottery. Darker colours will show scratches more readily than lighter colours. In general, dark colours and high gloss surfaces require more care and maintenance than lighter colours or lower gloss colours. To minimise scratching, always place and lift objects from the surface – never drag or slide them across the surface.



SHOT TABLE





0800 126 826

support@accentworkspaces.co.nz

22 Hood Street Wellsford, Auckland 0900 New Zealand