

A modern living room with large windows and a glass partition. The room features a round sofa, a small table with a lamp, and a potted plant. The glass partition reflects the room's interior and exterior. The text "DAY & NIGHT SYSTEMS" is overlaid in the center.

DAY & NIGHT SYSTEMS

LAZZONI

MEET WITH **SPLIT** **SPAN AND SPACE!**

Wardrobes and dressing rooms are some of the most important spaces for home decoration. Naturally, we expect them to be the tidiest, most organized, and functional areas.

Wardrobes and dressing rooms are considered personal areas and we have Split, Span, and Space to meet every personal need. Strengthen your hand for your projects with their smart details and functional features while creating unique spaces!

You can find a solution for all your essential needs with these new wardrobe systems, such as the dimension of interior layouts, for which purpose it will be used, etc.





SPLIT WARDROBE

Split wardrobe collection will shine like a diamond in your environment with its door options from engineered wood to reflective glass to mirror. In complete harmony with your decoration of the area, while meeting all your requests.



SPLIT WARDROBE

- REFLECTIVE DOOR
- GLASS SHELF
- BUILT-IN WARDROBE DRAWER (QUARTET)
- BUILT-IN WARDROBE DRAWER (DOUBLE)
- WARDROBE ROD
- TROUSER HANGER





SPLIT WARDROBE

ENGINEERED WOOD DOORS

GLASS SHELF

ILLUMINATED GLASS SHELF WITH LED SENSOR

Engineered wood or glass can be selected for shelf material for Split, Span, and Space, which will defy the years with its high-quality workmanship and durable interior layout. Illuminated and nonilluminated shelf features are also available for both shelf options.



SPACE WARDROBE

Space Wardrobe can be custom designed for dressing rooms with various options on materials and functional features. It will not only meet your requirements with its functionality but does also become a chic part of your bedroom with its modern, open-shelf style.





SPACE *WARDROBE*

- GLASS SHELF
- BUILT-IN WARDROBE DRAWER (*QUARTET*)
- BUILT-IN WARDROBE DRAWER (*DOUBLE*)
- WARDROBE ROD
- TROUSER HANGER



SPACE & SPLIT *BODY*



Glass door options offer mirror and reflective smoke glass, while engineered wood door option deliver high-pressure laminate that is highly resistant to wear and tear, scratches, heat, and water.

Split and Space Wardrobe collections offer various size and layout options while offering a stylish appearance with 100% Eco-friendly materials.

SPLIT

Split wardrobe's mirrored doors eliminate the need for an extra vanity mirror which you can custom order while designing your wardrobe. Plan the wardrobe essentials like shelves, drawers, and poles with closet finish and integrated LED light options. Match the style of your closet and room.

SPACE

While meeting all your needs, Space open shelf system also allows you to create a dressing room. You can design the interior layout of wardrobes with completely customizable pieces, from drawers to closet poles to special racks.

SPLIT

Narrow, wide, and corner wardrobes options are completely customizable with an option to mix and match. You can arrange the interior layout from several drawer and shelf options designed in different styles, in any way you want, and make it suitable for your daily needs.

SPACE



Top board Manufactured from 18mm cotton grey engineered wood.



Side board Manufactured from 18mm cotton grey engineered wood.

Base height 70mm

Back Support Manufactured from 8mm cotton grey engineered wood.

BODY AND INTERIOR COLOR



ENGINEERED WOOD DOORS

MIRROR DOORS

REFLECTIVE DOORS



SPLIT & SPAN WARDROBE



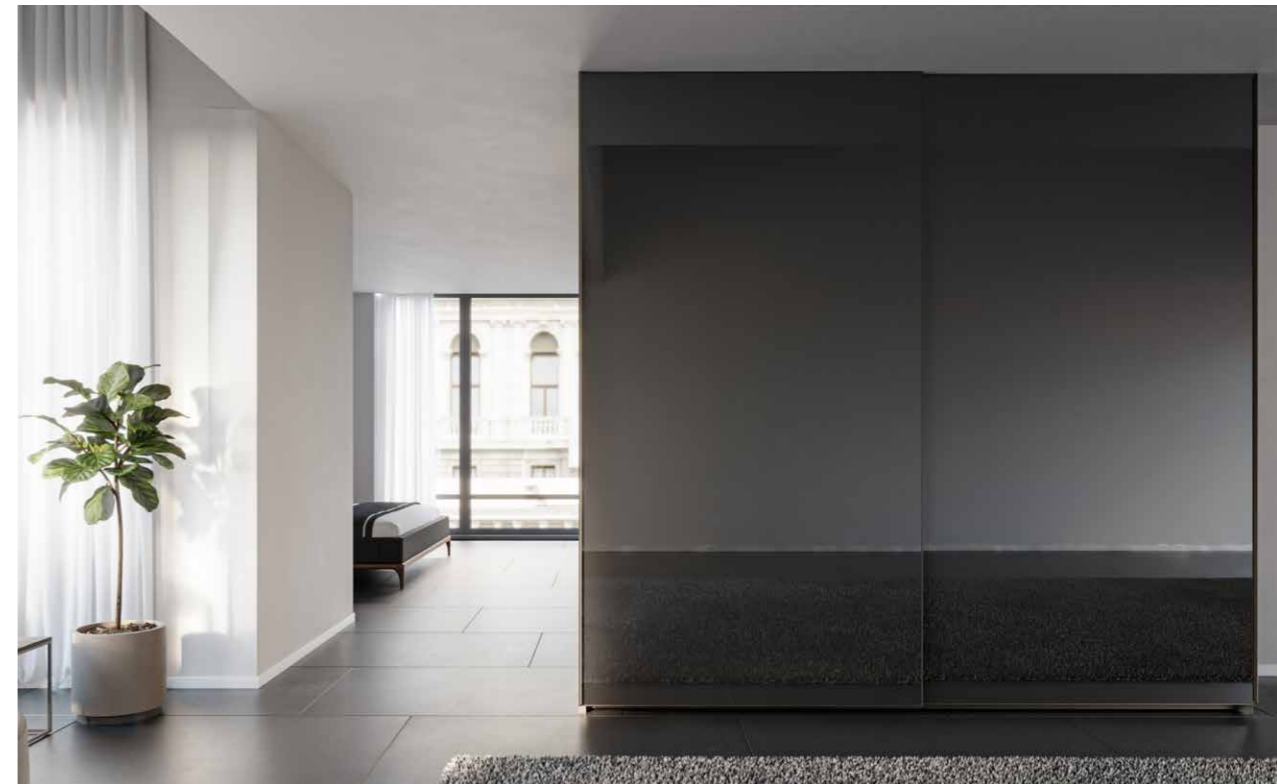
Span wardrobe offers ease of use even in narrow spaces thanks to its sliding doors. Make the best of its storage function with different modules that you can combine according to the sizes of the areas you design!

Eliminating the need for an additional mirror thanks to its mirrored doors, Span Wardrobe's interior sections can be customized according to your personal needs.



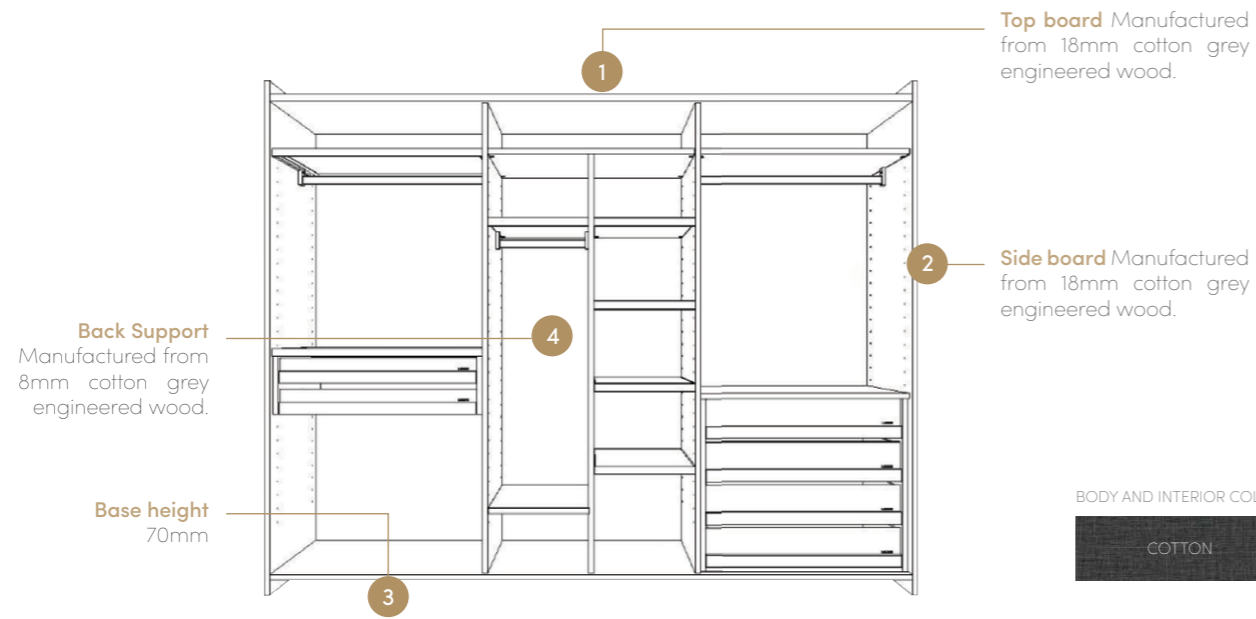


SPAN *WARDROBE*
MIRROR DOORS



SPAN

You can add an extra ambiance to your space and reach your goods easily by choosing a lighting system that operates by movement sensor in the shelves of Span Wardrobe, the interior layout can be designed according to your personal preferences.



SPAN

Wardrobe glass door option smoke glass. Wardrobe engineered wood door options highpressure laminate - highly resistant to wear and tear, scratches, heat and water. 100% Eco friendly.





INTERIOR ACCESSORIES

The interior modules of our wardrobes are designed for your unique storage needs. From drawers to closet poles to special racks, our collection of accessories comes together with material and light options to meet every unique storage need.





An accessory drawer with dividers optimizes the space for your jewelry and smaller items while pant hanger pull-out system will store your pants in the most efficient and organized way.

The lights are activated by a touch button in the Space open shelf system and by a motion sensor in Split and Span. It does not only create a pleasant atmosphere but also provides easy access to your goods.



The lights are activated by a touch button in the Space open shelf system and by a motion sensor in Split and Span. It does not only create a pleasant atmosphere but also provides easy access to your goods.

Wardrobe rods add functionality and style to hanging space. Essential for basic wardrobes and adjustable to suit changing needs, rods are available in ddc branded, durable aluminum. Lining inserted on rods prevents metal-on-metal sound even with wire hangers while also protecting from surface scratches.



INTERIOR ACCESSORIES

BUILT-IN WARDROBE DRAWERS Bodies are manufactured from 25 mm cotton-colored engineered wood. They are manufactured in two different codes for 4 level and 2 level drawers. Drawer tabs are made out of aluminum profiles and smoky reflective glass. The top board of the product is manufactured from the standard 25mm cotton-colored engineered wood.

TROUSER HANGER / DRAWER FOR ACCESSORIES Their bodies are manufactured from 18 mm cotton-colored engineered wood. Drawer tabs are made of aluminum profile and smoky reflective glass. They are manufactured with Blumotion rails with double opening thanks to its new design.

Hanger profiles of trouser hangers are manufactured from Inox aluminum rounded profiles and their use is increased to the highest level thanks to plastic holders placed on the channels processed on the profile.

Drawer for accessories: Accessory compartments are divided by 12 mm cotton-colored engineered wood. They are manufactured without any top board. Extra shelves must be ordered. Order for extra shelves must be placed since top boards of these products vary, depending on your request.



Built-In Wardrobe Drawer (Quartet)

Trouser Hanger / Drawer for Accessories

BODY AND INTERIOR COLOR



DIC020
BUILT-IN WARDROBE DRAWER (DOUBLE)
L 37,8" - 33,9" / D 22" / H 16,9"
E 96 cm - 86 cm / D 56 cm / Y 43 cm



DIC040
BUILT-IN WARDROBE DRAWER (QUARTET)
L 37,8" - 33,9" / D 22" / H 32,6"
E 96 cm - 86 cm / D 56 cm / Y 83 cm



DIC021
BUILT-IN WARDROBE DRAWER (DOUBLE)
L 37,8" - 33,9" / D 22" / H 32,6"
E 96 cm / D 56 cm / Y 83 cm



DIC041
BUILT-IN WARDROBE DRAWER (QUARTET)
L 37,8" - 33,9" / D 22" / H 32,6"
E 96 cm / D 56 cm / Y 83 cm



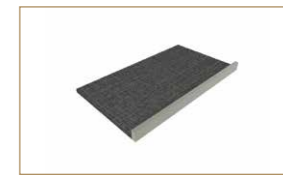
CPN020
TROUSER HANGER / DRAWER FOR ACCESSORIES



PNT020
TROUSER HANGER



CMS020
DRAWER FOR ACCESSORIES



SHOE SHELVES

SHELVES

GLASS SHELF Made of smoky glass placed within Inox aluminum frame. Glass shelves are manufactured with options such as illuminated / non-illuminated and with or without hangers. The illumination system is integrated with the frame. There is no difference between illuminated and non-illuminated versions in terms of appearance. Light is illuminated from the shelf towards the hanger. The hanger system is also integrated into the frame in the same way. The hanger cannot be integrated later on to a glass shelf without any hanger.

ENGINEERED WOOD SHELF Shelves are manufactured from 25 mm cotton-colored engineered wood. They are connected to the wardrobe body by the Rafx system. Engineered wood shelves can be manufactured as illuminated / non-illuminated and with or without hanger. When engineered wood shelves are illuminated, a lighting system is integrated into the front of the shelf. (see the detailed drawing of the illuminated engineered wood shelf)

Light is illuminated from the shelf towards the hanger. Light cannot be added later on to engineered wood shelves. A engineered wood shelf without a hanger can then be converted to a shelf with a hanger.

SHELF WITH TOUCH CONTROLLED LED Designed specifically for the Space series. Illuminated shelves are managed by a touch-controlled lighting system in wardrobes with an open door. 1 entry for a Shelf with Touch Controlled LED must be made for each wardrobe body. While lights are controlled by sensors in other wardrobe bodies, they are controlled by button-controlled shelves in open wardrobes.

WARDROBE *ROD*

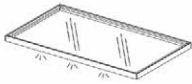
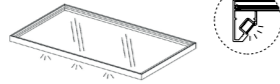
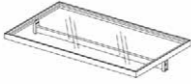
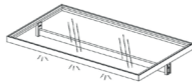
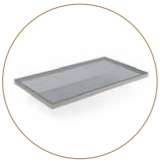
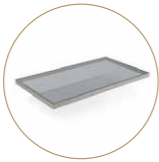
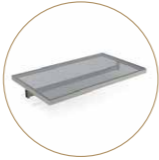
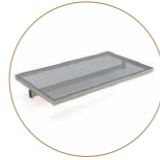
Essential for basic wardrobes and adjustable to suit changing needs. Rods are available in ddc branded, durable aluminum. Lining inserted on rods prevents metal-on-metal sound even with wire hangers and also prevents surface scratches.



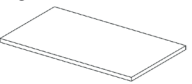
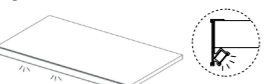
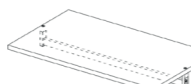

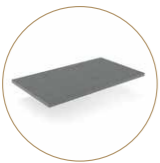
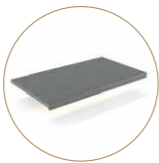

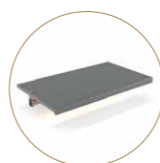
BODY AND INTERIOR COLOR



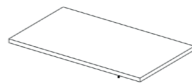
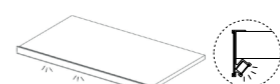
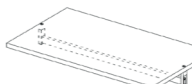
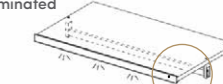
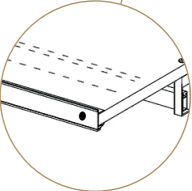
1 GLASS SHELVES

<p>Glass Shelf</p> 	<p>Glass Shelf / Illuminated</p> 	<p>Glass Shelf / With Hanger</p> 	<p>Glass Shelf / With Hanger / Illuminated</p> 
			

2 ENGINEERED WOOD SHELVES

<p>Engineered Wood Shelf</p> 	<p>Engineered Wood Shelf / Illuminated</p> 	<p>Engineered Wood Shelf / With Hanger</p> 	<p>Engineered Wood Shelf / With Hanger / Illuminated</p> 
			

3 SHELF WITH TOUCH CONTROLLED LED

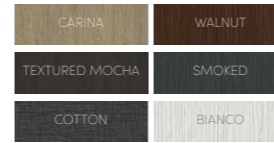
<p>Engineered Wood Shelf</p> 	<p>Engineered Wood Shelf / Illuminated</p> 	<p>Engineered Wood Shelf / With Hanger</p> 	<p>Engineered Wood Shelf / With Hanger / Illuminated</p> 
<p>Touch Controlled System Integrated To Shelves</p> 			

4 WARDROBE ROD LED

	 <p>Glass Shelf Rod Detail</p>
	 <p>Engineered wood Shelf Rod Detail</p>

	PRODUCT NAMES	SPACE			SPLIT			SPAN
	PRODUCT DESCRIPTION	WIDE WARDROBE WITHOUT DOORS	NARROW WARDROBE WITHOUT DOORS	CORNER WARDROBE WITHOUT DOORS	CORNER WARDROBE WITHOUT DOORS	WARDROBE WITH SINGLE DOOR	CORNER WARDROBE	WARDROBE WITH SLIDING DOOR
	PRODUCT CODE	WRD011	WRD021	WRD031	WRD010	WRD020	WRD030	WRD180 WRD250 WRD270 WRD298
DOORS	REFLECTIVE DOORS							
	MIRROR DOORS							
	ENGINEERED WOOD DOORS							

ENGINEERED WOOD DOORS



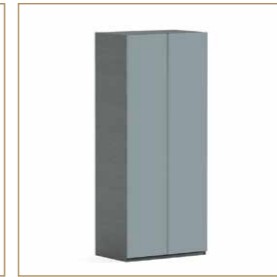
MIRROR DOORS



REFLECTIVE DOORS



LACQUER DOORS



HANDLE DETAIL



	PRODUCT NAMES	SPACE			SPLIT			SPAN
	PRODUCT DESCRIPTION	WIDE WARDROBE WITHOUT DOORS	NARROW WARDROBE WITHOUT DOORS	CORNER WARDROBE WITHOUT DOORS	CORNER WARDROBE WITHOUT DOORS	WARDROBE WITH SINGLE DOOR	CORNER WARDROBE	WARDROBE WITH SLIDING DOOR
	PRODUCT CODE	WRD011	WRD021	WRD031	WRD010	WRD020	WRD030	WRD180 WRD250 WRD270 WRD298
CABINET ACCESSORIES	BUILT-IN WARDROBE DRAWER (DOUBLE)							
	BUILT-IN WARDROBE DRAWER (QUARTET)							
	TROUSER HANGER							
	UNDERWEAR DRAWER							
	TROUSER HANGER / UNDERWEAR DRAWER							
SHELF	GLASS SHELF							
	ILLUMINATED GLASS SHELF							
	GLASS SHELF WITH TOUCH CONTROLLED LED							
	ILLUMINATED GLASS SHELF WITH LED SENSOR							
	ENGINEERED WOOD SHELF							
	ILLUMINATED ENGINEERED WOOD SHELF							
	ENGINEERED WOOD SHELF WITH LED SENSOR							
	ILLUMINATED ENGINEERED WOOD SHELF WITH LED SENSOR							

DO NOT FORGET!

Built-in Wardrobe Drawer: Top board is manufactured as standard 25mm cotton colored engineered wood. There is no need to order any extra shelf.

Trouser Hanger / Drawer for Accessories: Order for extra shelves must be placed since top boards of these products vary, depending on customer request.

Glass Shelf: Hanger cannot be integrated later to a glass shelf without any hanger.

Light cannot be added later to Glass and Engineered Wooden Shelves ordered to be non-illuminated.

Space Wardrobe: 1 entry for Shelf with Touch Controlled LED must be made for each wardrobe body.

MAXIMUM 5 ILLUMINATED SHELVES CAN BE USED IN 1 WARDROBE SINCE LED CONTROLLERS HAVE 5 OUTPUTS.

IF MORE THAN 5 ILLUMINATED SHELVES WILL BE USED IN A WARDROBE BODY, YOU CAN PLACE YOUR ORDER THROUGH SPECIAL PRODUCTION

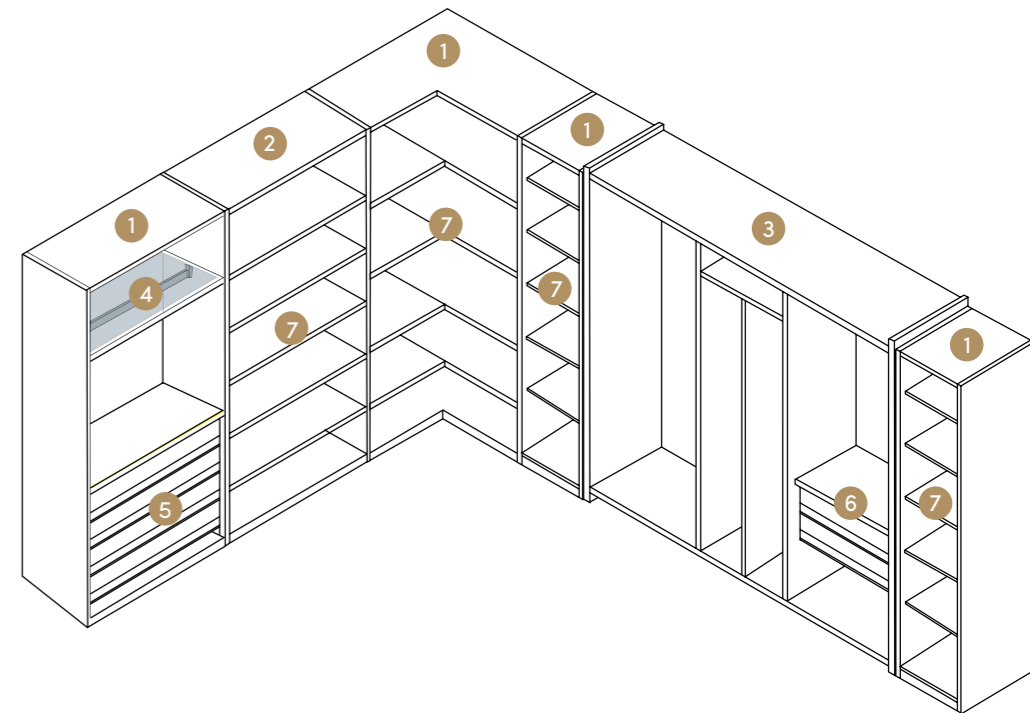


The cover hinge, one of the best in the world, is tested for **100,000** opening and closing operations.

TRIPLE COMBINATION



Mix and match all 3 styles to create unique modular wardrobe systems from Split, Span, and Space. Combine elegant engineered wood doors with stylish mirrored or glass doors, save space with sliding doors, and add open shelves in between. All in the same wardrobe unit.



- 1 SPLIT WARDROBE
- 2 SPACE WARDROBE
- 3 SPAN WARDROBE
- 4 Glass Shelf / With Hanger / Illuminated
- 5 SPLIT WARDROBE Built-In Wardrobe Drawer (Quartet)
- 6 SPAN WARDROBE Built-In Wardrobe Drawer (Double)
- 7 Engineered Wood Shelf

ENGINEERED WOOD

Engineered wood is a form of furniture surface which we use in all our wood finishes. It is 100% ecological, man made and by far the most durable surface finish that has ever been used in the furniture industry.

Interior of our composite wood is made out of 100% recycled wood which is bound together by heat compression. No chemicals are used in this process, which could be harmful to any human or animal.

It's 50% lighter than natural/solid wood and 25% lighter than MDF, 10% lighter wood veneer. It is NOT wood veneer, MDF or Laminate. Engineered wood is the most technological and latest material used in the ecological furniture manufacturing industry.

No forest is harmed. As a matter of fact, cutting trees is banned in Scandinavian countries for the use of the furniture industry, which has consequences up to imprisonment.

The engineered wood surface finish is the latest and the most technological process used in the furniture industry. And as Lazzoni we are one of the largest manufacturers in Europe.

Our surface is scratch and water resistant and carries the same exact characteristic, painted and stained solid wood but it's 50% lighter, 5 times more durable, and 100% eco-friendly. That's why we offer the best wood furniture surface finish that there is.

CERAMICS

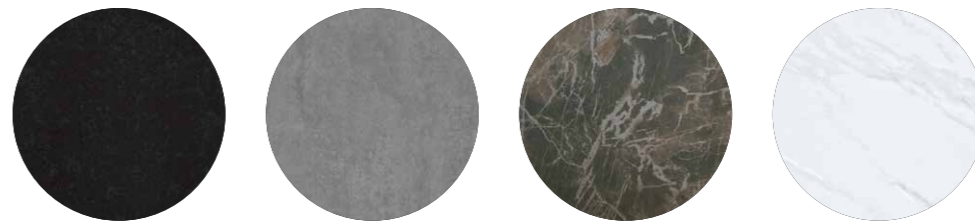
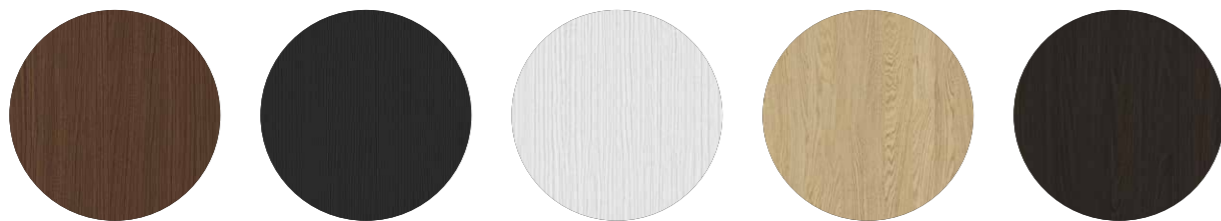
A ceramic is an inorganic non-metallic solid that has been formed and then hardened by heating to high temperatures.

While traditional ceramics are clay-based, high-performance or advanced ceramics are being developed from a far wider range of inorganic non-metal materials. Advanced ceramics we use in our products have the properties of high strength, high hardness, high durability and high toughness.

Ceramics' most significant general characteristic is that they are refractory: they are tough materials that can withstand moderate abuse in both common and unusual circumstances. In general, ceramics have:

- High melting points which means they are heat resistant.
- Great hardness and strength. Ceramics have high hardness and low ductility, so they are far from brittle, fractures and deforming.
- Considerable durability. They're long-lasting and hard-wearing, having the ability to withstand pressure or damage.
- Low electrical and thermal conductivity. They're good insulators.
- Chemical inertness. They're unreactive with other chemicals.

All these properties make ceramics an indispensable part of our daily lives. We use custom ceramics ordered specifically for Lazzoni in all of our ceramic finishes. Just like all the other materials we use, we offer the best in ceramics as well.



LUSSO



Minimal yet versatile, the custom storage unit offers work space, entertainment/media unit and various storage options. A compact design with elegant details and smart functions.





MANHATTAN



Bringing in a new aesthetic for the living areas, the custom bookcase showcases elegance with wood and ceramic details. The slender grid structure of the unit combines shelves and doors creating various display and storage areas.

MANHATTAN



Combining media unit with storage, work area and display shelves, the custom day system makes the most of grand living. LED light system and natural materials add to the chic look of the unit.





TV UNIT

25



TV UNIT

26





TV UNIT

27



VISTA



Refining the bulky look of closets, open units of the night system offer various functions like a vanity area while glass doors create an easy way of viewing the items of the closet without compromising on the elegant look of the unit.





Chelsea, NY Seattle, WA Paramus, NJ Atlanta, GA Orange County, CA
 Boston, MA Los Angeles, CA Madison, NY Istanbul, TUR Rotterdam, NL



125 YEAR LONG JOURNEY

See the video



We produce with Carb2/EPA particle boards with low formaldehyde emission, which have EPA Certificate issued by US Environmental Protection Agency.



Lazzoni performs all of its operations through an effective and reliable quality management system while offering its products and services to its customers. This system is certified by Bureau Veritas (BV), an internationally accredited organization.



Prioritizing the environmental awareness, Lazzoni pays attention to proper and legal use of forest resources and therefore it works with suppliers, certified by FSC (Forest Stewardship Council) of Germany.



Lazzoni uses water-based, certified paints, which are proven as noncarcinogenic and environment and human health friendly, produced by ICRO Coatings, Italy, in its products.



LAZZONI

lazzoni.com

 [lazzoni](https://www.instagram.com/lazzoni)