

TABLE OF CONTENTS




Parts Name	3
Replacing The Filters	4

WHAT'S IN THE BOX

- 1 x Pre-filter
- 1 x True HEPA Filter and Activated Carbon Filter
- 1 x User Manual

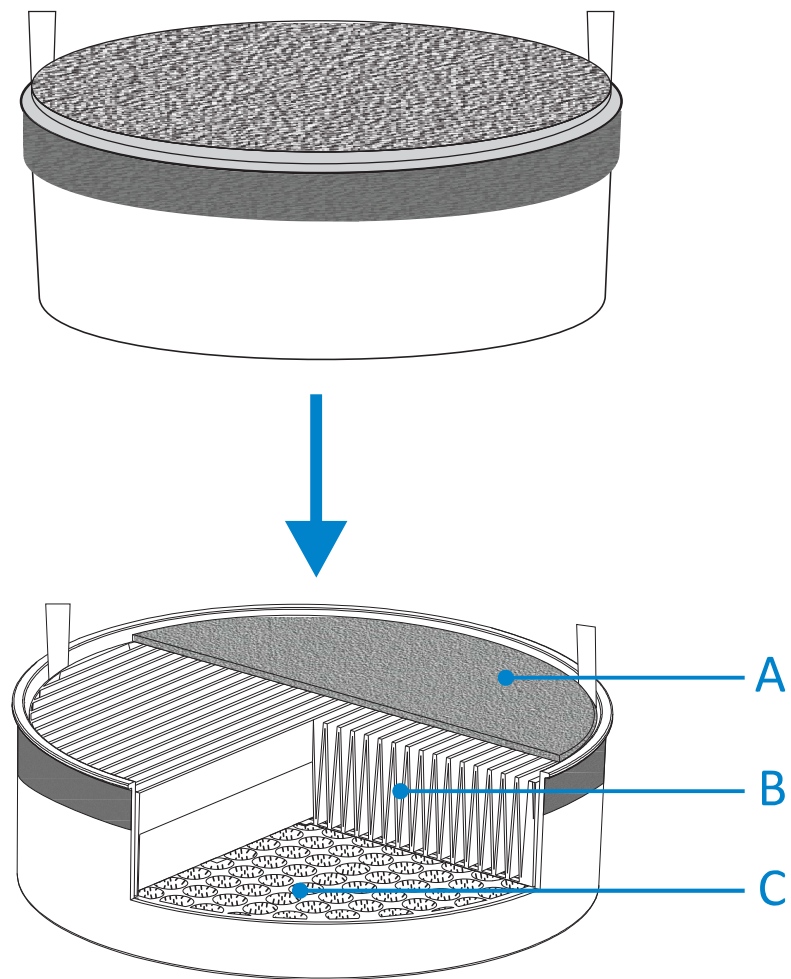
THANK YOU FOR CHOOSING TO BUY AN AROVEC AIR PURIFIER FILTER

We are here to help you with any questions.
Customer Support - AUSTRALIA

-  www.ovec.com.au
-  support@ovec.com.au
-  [@oveclifestyle](https://www.instagram.com/oveclifestyle)

PARTS NAME

- A. Pre-Filter
- B. True HEPA Filter
- C. Activated Carbon Filter



Filters Internal Details

REPLACING THE FILTERS


The () will light up to remind you to replace the filters.

DO NOT wash/clean or reuse the filters. Only use Arovec AV-P152RF replacement filters when changing the filters are required. This will help your air purifier to work effectively and last longer.

Replacement filters are available at www.arovec.com.au
OR scan the QR Code.



When to Replace the Filters:

- It's best to change the filters every 6 months (4320 hours). You may need to change the filters more often or less often, depending on how much you use your air purifier and on how much pollution is in the air.
- You don't need to wait for the () to turn on for changing the filters. You may need to change the filters if you notice any of the following:
 - Increased noise from the purifier when it's switched on.
 - No effective difference in air quality.
 - Decreased airflow.
 - Unusual odours.
 - Clogged filters.

Steps for Replacing the Filters:

Follow these steps to replace the Filters:

1. Turn off and unplug the air purifier.
2. Turn the purifier upside down on a soft cloth. [Figure 1.1]
3. Turn the base cover anticlockwise to unlock the cover. [Figure 1.1]
4. Remove the base cover. [Figure 1.2]
5. Remove the used filters. [Figure 1.2]

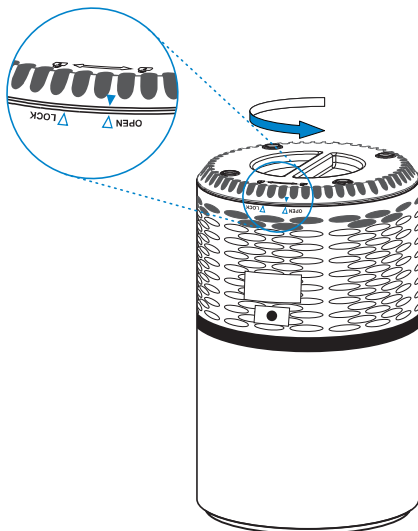


Figure 1.1

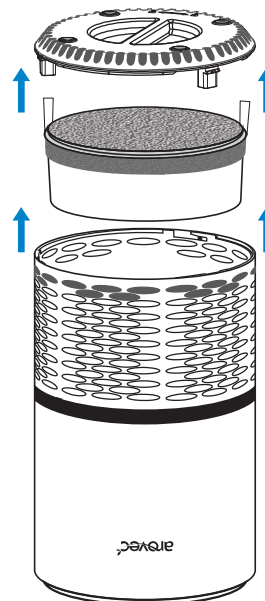


Figure 1.2

6. Clean any remaining dust or hair inside the purifier with a vacuum. DO NOT use water or any liquids to clean the purifier. [Figure 1.3]
7. Remove the new filters from their packaging. [Figure 1.4]
8. Place the new filters into the purifier. [Figure 1.5]
 - Make sure the grey pre-filter is on top of the white HEPA filter.
 - Make sure the white tabs are pointing upward.

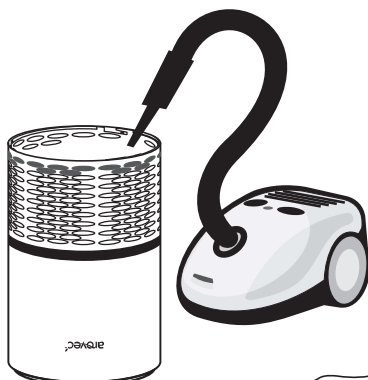


Figure 1.3

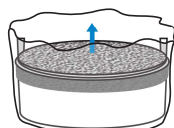


Figure 1.4

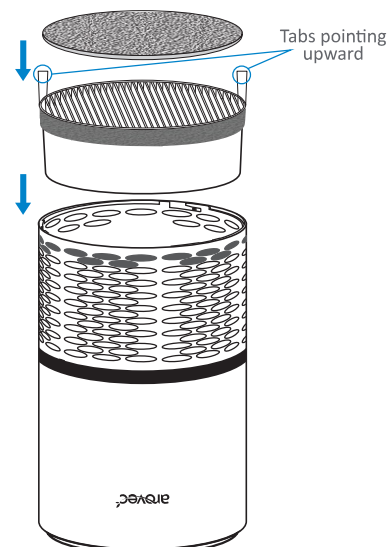


Figure 1.5

9. Put the base cover back on. [Figure 1.6]

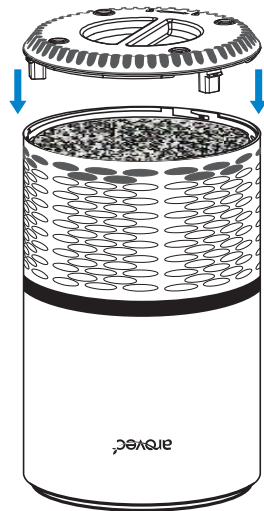


Figure 1.6

10. Turn the base cover clockwise to the lock position. [Figure 1.7]

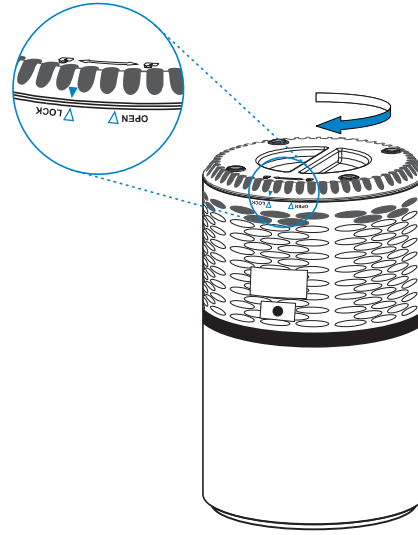










Figure 1.7

Resetting the Air Purifier After Filters Replacement:

You will need to reset the air purifier in two conditions.

1. If the filters were replaced after the () light up:
 - Turn on the air purifier.
 - Press and hold () for 3-5 Seconds.
 - The () light should turn off, which indicates that the purifier has been reset.

2. If the filters were replaced before the () light up:
 - Plug in the air purifier after filters replacement, but do not turn on the air purifier.
 - Press and hold () for 3-5 Seconds, to light up the ().
 - Press and hold again () for 3-5 seconds, to turn off the (), the reset is now complete.
 - You can turn on and use the air purifier with the new filter.



www.arovec.com.au