



INSTALLATION GUIDE



HONDA CIVIC TYPE-R (2017-2021)
FRONT MOUNT INTERCOOLER

PRL INSTALLATION OVERVIEW

PRODUCT: PRL-HCR-IC PRL MOTORSPORTS FRONT MOUNT INTERCOOLER

FITMENT: 2017 - 2021 Honda Civic Type-R 2.0L Turbo (FK8)

INSTALLATION TIME: Approximately 2 hours

NOTE: THIS ITEM DOES NOT REQUIRE AN ECU RE-CALIBRATION.

Please check that all components that are listed in the parts list have been supplied to you, and are correct. If you require any assistance or are missing components please email: support@prlmotorsports.com. Please verify with a customer service representative before installation or returning the product.

PRODUCT DISCLAIMER:

United States 48 State Compliant:

California/New York Residents please see Prop 65.

This is a Race Only product that is to be used solely for competition, it cannot be used on vehicles that are operated on public streets, roads or highways. Its use is limited to closed-course and open-course racing that is formally sanctioned by a recognized racing organization. Any other use including recreational use could be in violation of local, state and federal laws.

PRL Motorsports is not responsible for any vehicle damage or personal injury that may occur due to an installation error, product misuse, or removal of PRL Motorsports products.

PRL Motorsports highly suggests that a trained professional conduct the installation on all products. PRL Motorsports is not responsible for damaged products due to incorrect installation.

REQUIRED TOOLS:

Ratchet

Extension (6 - 12" Length)

10mm Socket

12mm Socket

1/4" Hex Socket (Dependant on End Tank Hardware Connection)

Torque Wrench

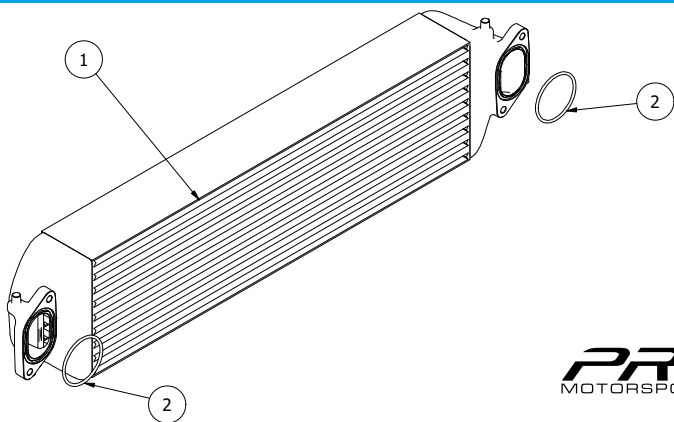
Pliers

Phillips Head Screw Driver

Flat Head Screw Driver

Clip Removal Tool





PRL
MOTORSPORTS

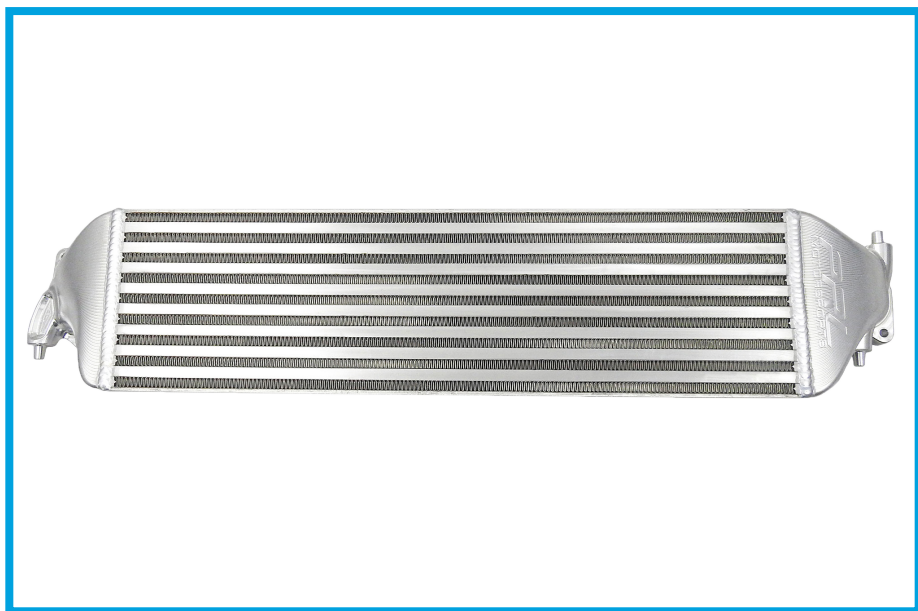
COMPONENT LIST

#	PART #	QTY	DESCRIPTION
1	RAW-HCR-IC	1	2017-2021 Honda Civic Type-R Front Mount Intercooler
2	MCM-9452K69	2	2017-2021 Honda Civic Type-R Intercooler Buna O-Rings
3	PRL-HCR-IC-STEN-R	1	"R" Stencil (Cardboard)
4	PRL-HCR-IC-STEN	1	Standard PRL Logo Stencil (Cardboard)

Before Beginning Your Installation:

1. Turn off the ignition. Loosen battery terminal and disconnect the negative battery terminal cable. Allow the vehicle to sit for a minimum of 5 minutes to drain any remaining charge from the charging system.

NOTE: Disconnection of the negative battery cable erases pre-programmed electronic memory. We recommend saving any memory settings before disconnecting the negative terminal. Some radios will require an anti-theft code to be entered after the negative battery cable is reconnected.



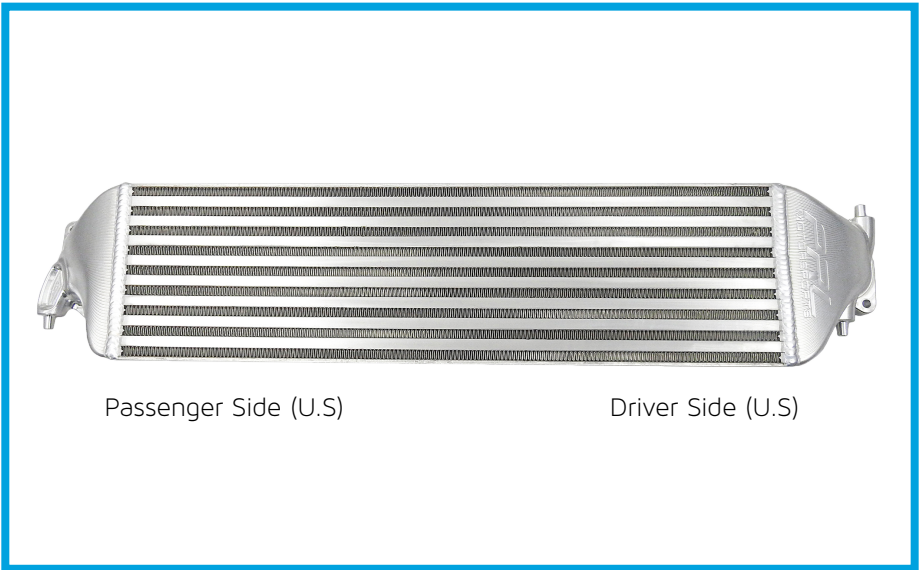
Preparing Your Front Mount Intercooler:

2. Set on even, clean surface to ensure to not damage the intercooler while removing the front bumper. Reference the parts list and ensure all components are enclosed. If something is missing, please contact PRL Customer Support.

3. The front bumper of the car will need to be removed to access the factory intercooler. If you'd like to follow a video guide showing this, please watch this How To Video from our friend at Kodawari Collective:

www.youtube.com/watch?v=mH4O1cyG4t4

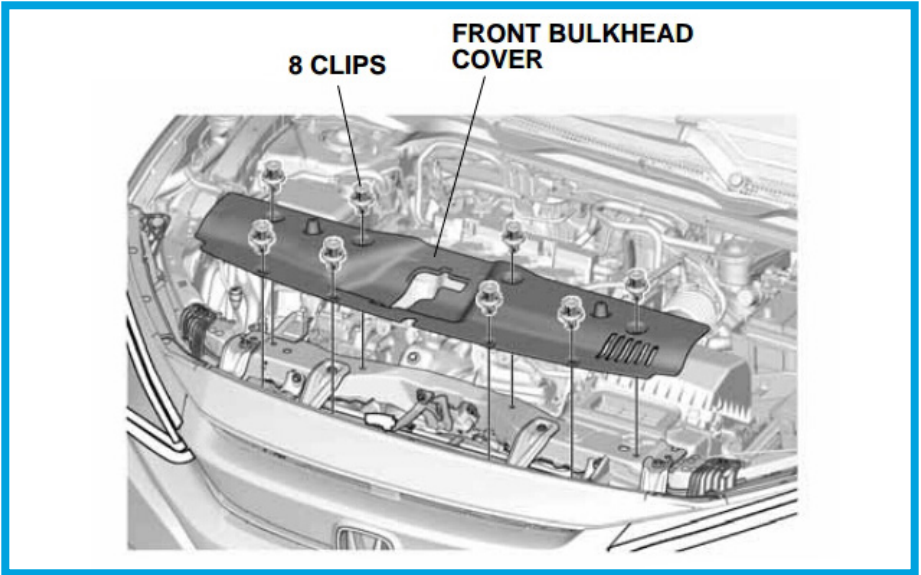
4. Rotate and ensure you have the PRL Front Mount Intercooler facing the correct orientation. The driver's side has the PRL logo engraved into the tank.



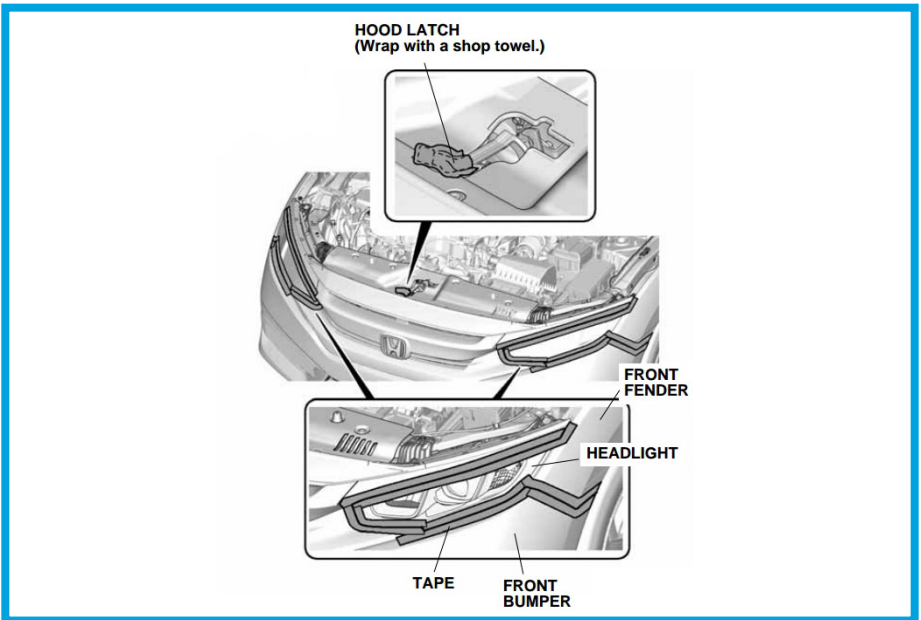
5. PLEASE NOTE: If you are applying the PRL Logo utilizing our stencil, do so when the PRL Front Mount Intercooler is NOT installed. This is to avoid overspray onto the paint and trim.



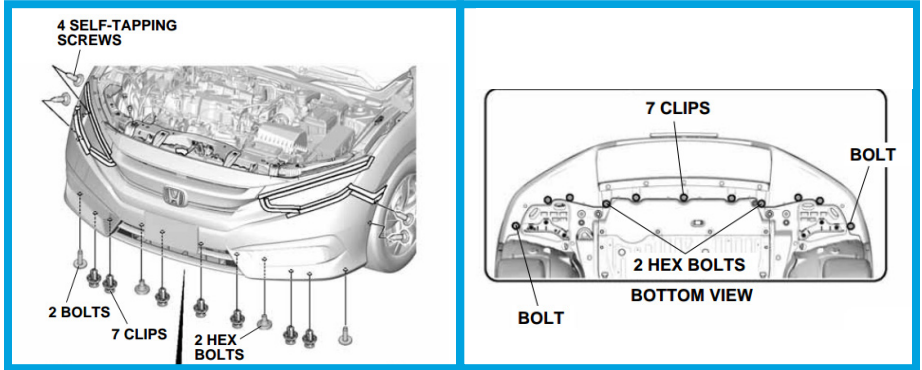
6. Open the hood. Start with removing the front bulkhead cover. There are (8) total clips holding this plastic piece to the front bumper/chassis.



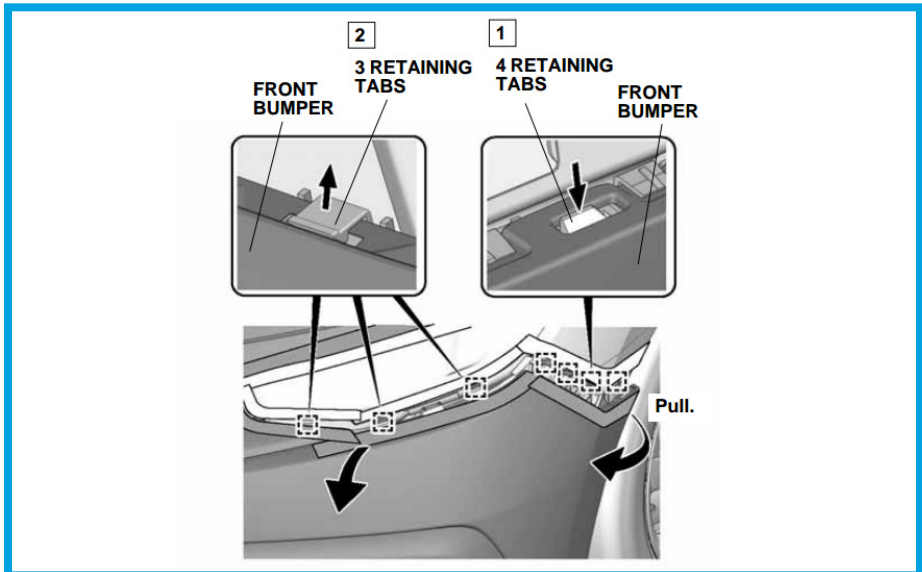
7. OPTIONAL, BUT RECOMMENDED: To protect your vehicle from damage while removing the front bumper, wrap a shop towel around your hood latch and tape off the edge of the front fender and headlight assembly.



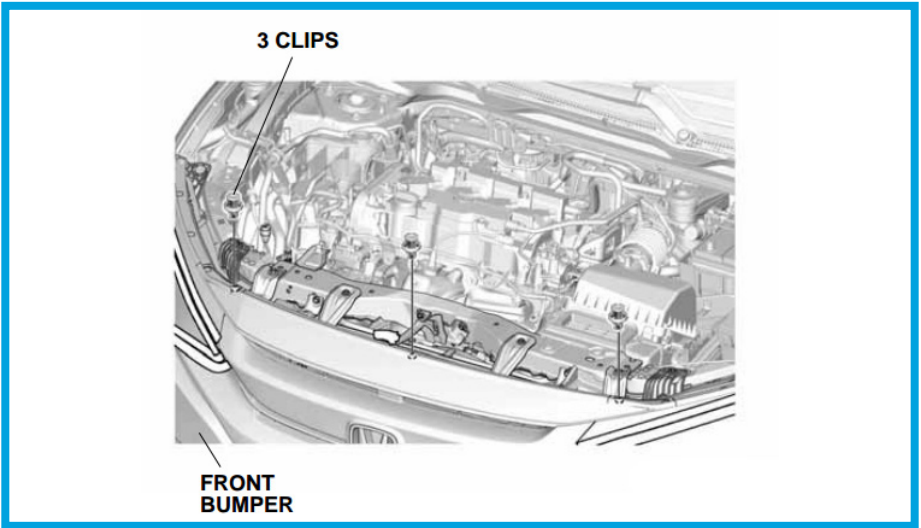
8. Raise the front of the vehicle safely and remove the fasteners that secures the bumper cover on the underside of the vehicle. This may vary if you have aftermarket front lip, etc. Remove the (2) screws in front of each front tire holding the factory front lip.



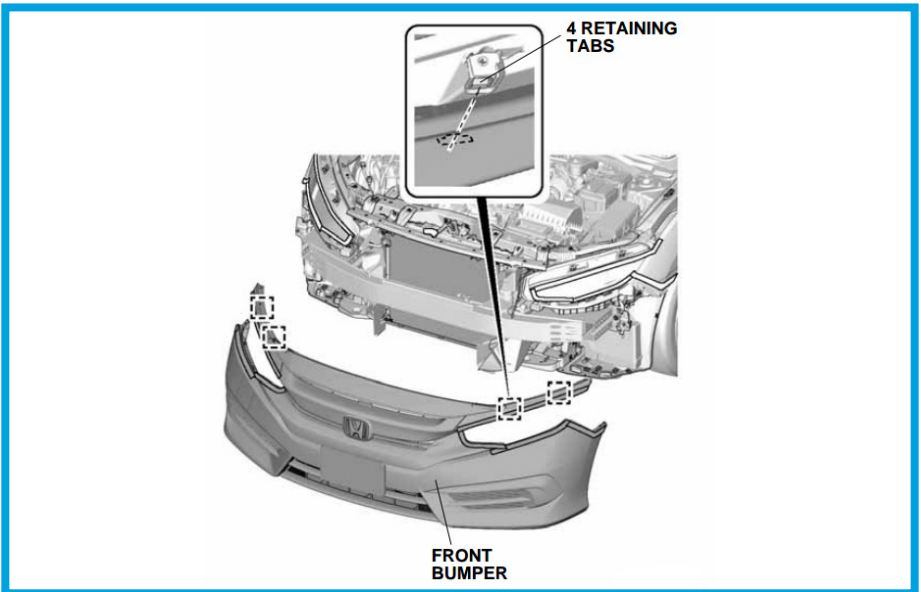
9. Carefully and slowly pull the cover away, starting at the wheel well. As the bumper is pulled, the retaining tabs are exposed along the perimeter. Carefully release them. This is easier with the help of a second person if possible.



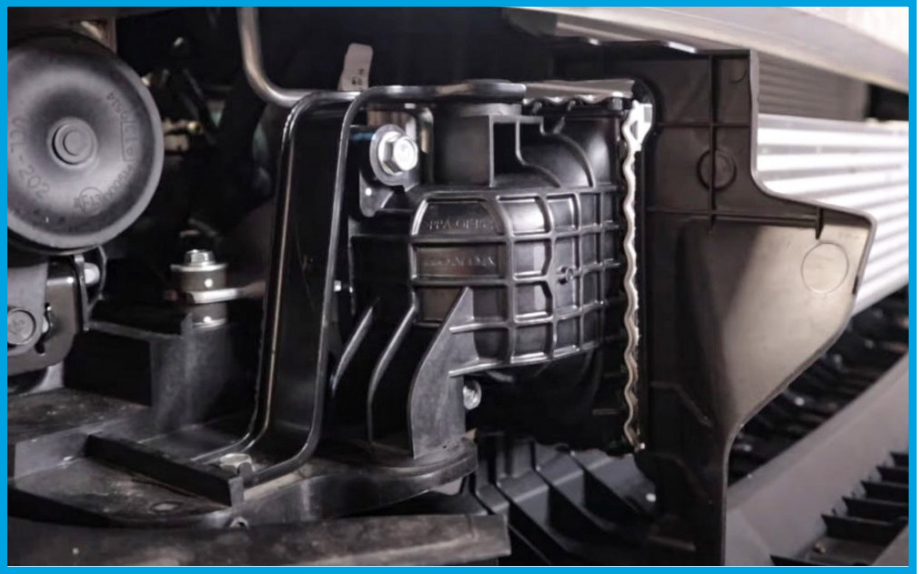
10. Remove the (3) remaining clips located on the top of the bumper, located above the grille.



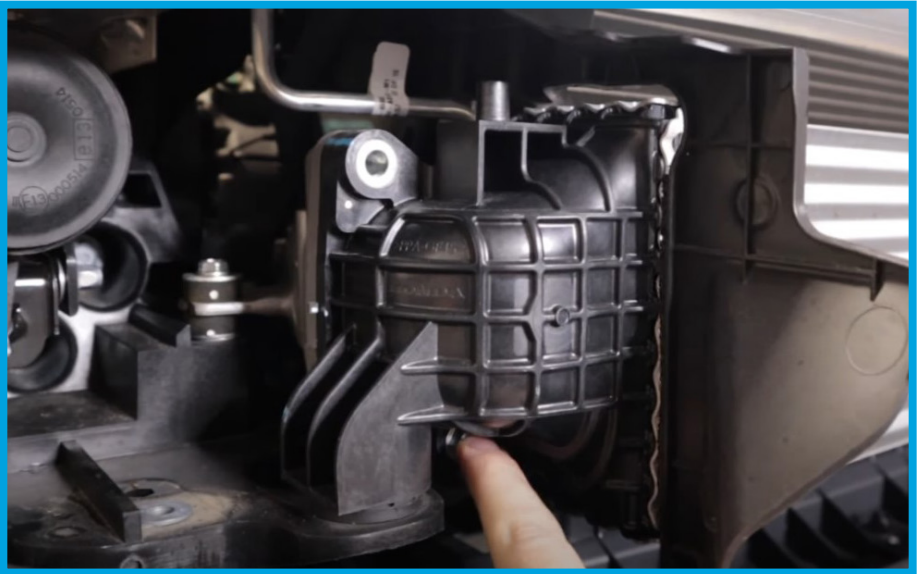
11. Depress the retaining tabs above each headlight with a flat head screw driver and the bumper cover will be able to be pulled away. Unplug the fog lights from their harness to avoid damaging the connections, and carefully remove the front bumper. Place the bumper on a clean, smooth surface to avoid damage.



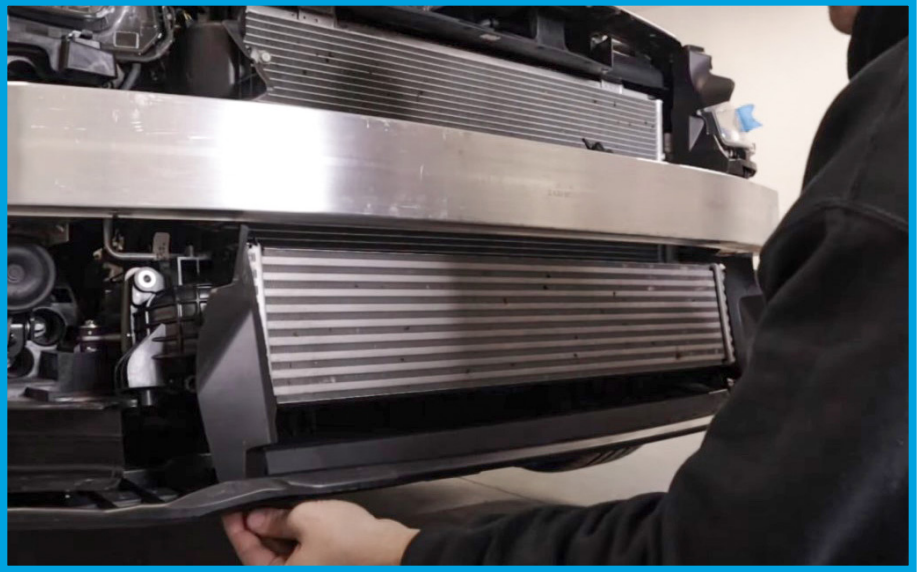
12. With the front bumper removed, you will be able to access the sides of the factory intercooler to be able to loosen the hardware holding it in place.



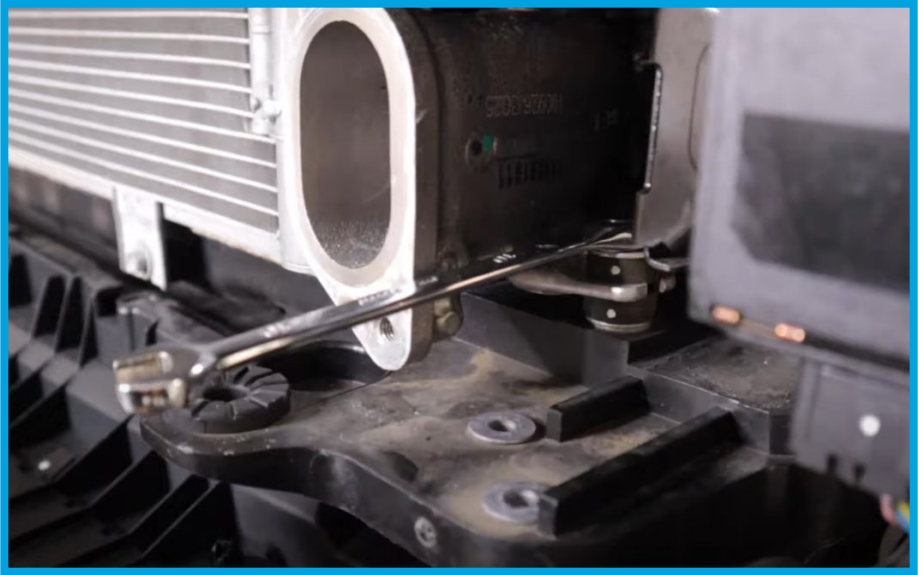
13. Remove the (2) bolts and bracket holding each side of the factory intercooler.



14. The intercooler is now loose, but not easily removed as the plastic covers and air guides holding the intercooler in place. Pull the bottom of the plastic towards you and the vertical guides to the side. Remove the factory intercooler.



15. Below the end tank connections there is now an exposed space for the installation of the PRL Front Mount Intercooler.

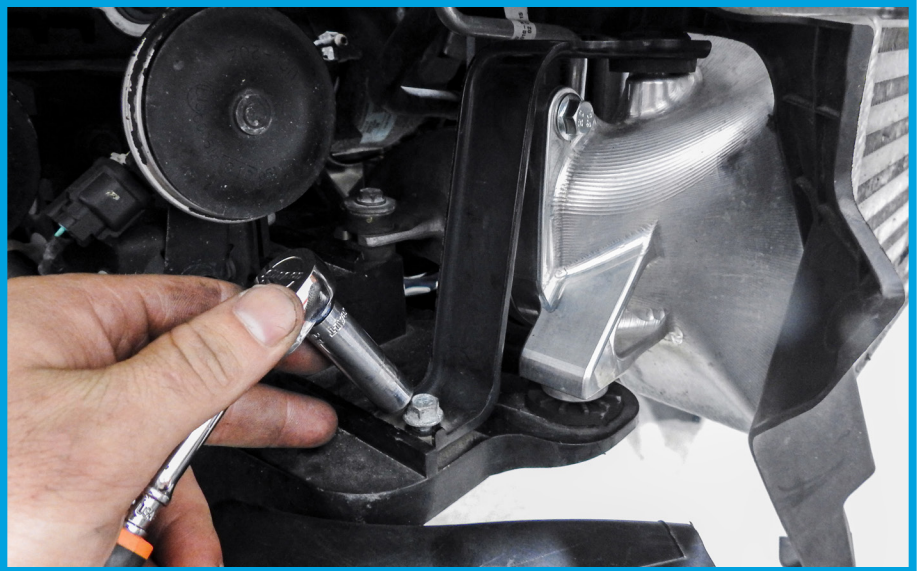


16. Install the O-Ring. Utilize even pressure and a circular pattern to seat it.



17. Re-install the brackets and utilize the (2) factory bolts on each of the end tanks. Older versions of the intercooler may have slightly different hardware.

**** RECOMMENDED TORQUE SPEC - 18 ft/lbs ****



18. Reinstall the factory plastic air guides and front pieces for optimum fitment. Reconnect the fog light assemblies and then reconnect the front bumper by following the removal steps in reverse order. Be sure to not snap the tabs.





Road Testing Your PRL Front Mount Intercooler

1. Start the vehicle with the transmission in neutral and the emergency brake engaged. Assess to make sure of any possible issue(s) and then make any subsequent adjustments as they are needed.
2. Test drive the vehicle to ensure everything is in working order.
3. If after the road testing, everything is good to go, enjoy your PRL Front Mount Intercooler! Thank you for being apart of the #PRLARMY.

If you have any questions/concerns please reach out to us at:
support@PRLMotorsports.com

Please provide a full description of your issue, ideally with any pertinent images or video clips that can help our team address the issue.

Please note: All support tickets are addressed during business hours and in order of received.

As stated at the beginning of this guide, the PRL Front Mount Intercooler has been specifically designed to be 100% compatible with the factory ECU calibration. No tuning is required to benefit from the advertised gains and performance. Our intercooler is designed to fit like factory but be a more optimal and overall better performing unit. Under conditions in which the horsepower of the vehicle is increased, this unit is rated for 600HP.

Required Maintenance

PRL Motorsports thoroughly recommends visually inspecting your products during any routine maintenance like oil changes, tire rotations, and filter changes or cleanings. Please make sure to check your connections on all mounted parts periodically to ensure that they have not come loose over time. Always make sure to not drive through any debris that can damage the fins of the intercooler. Nor drive over or into anything that could puncture or crack the intercooler.



1400 RANDALL COURT - UNIT 104
EXPORT, PENNSYLVANIA 15632

www.PRLMotorsports.com

Follow Us!
PRLMotorsports

