

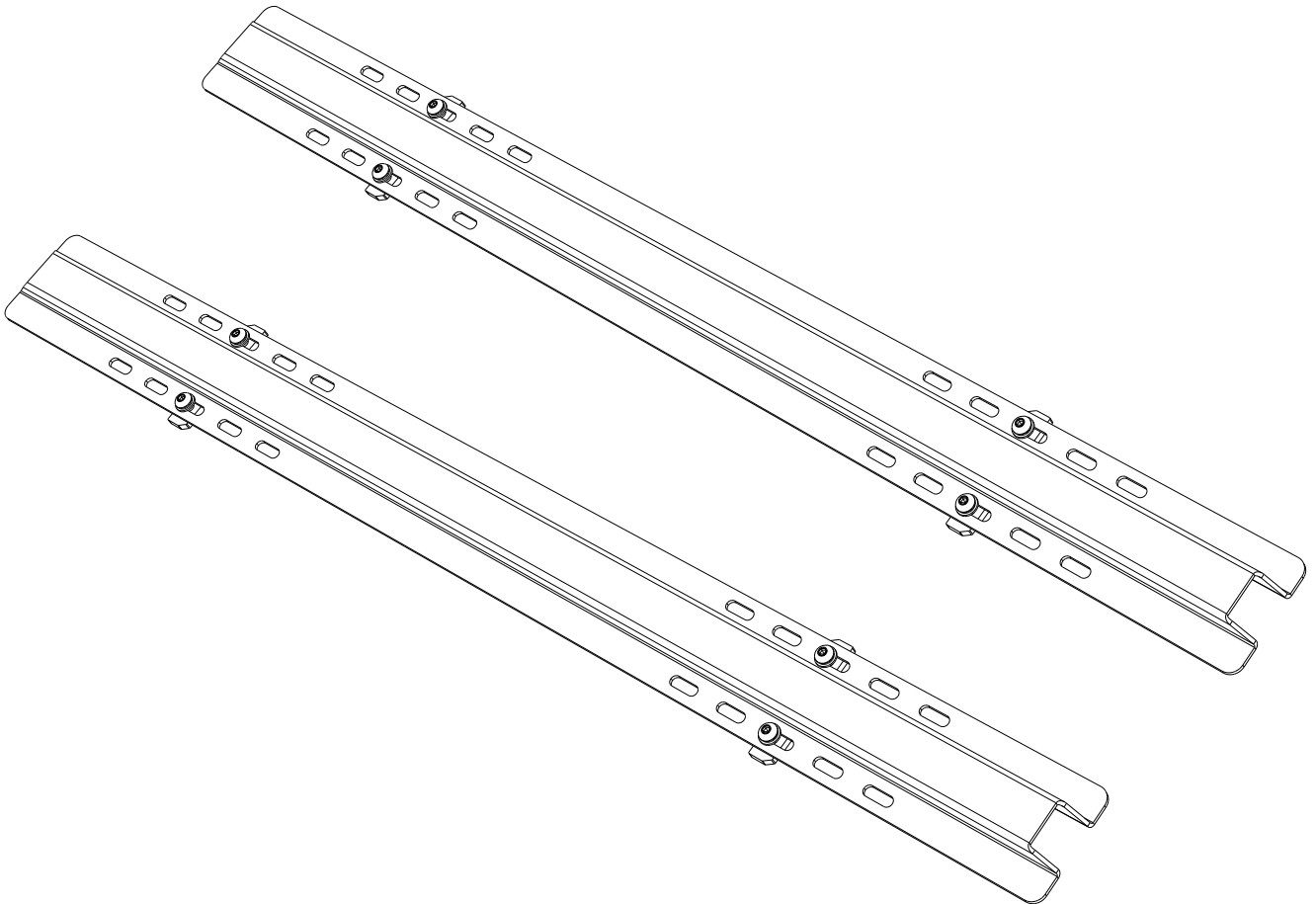


FRONT RUNNER
VEHICLE OUTFITTERS

HARD SHELL TENT SUPPORT CHANNELS

ENG

TBMK009



READ ME !

Thank you for purchasing Front Runner Hard Shell Tent Support Channels.

Before you start, take a moment to familiarize yourself with this Fitting Instruction and the components received.

Refer to Page 2 for a list of all the components, quantities and tools required.

IMPORTANT WARNING!

FRONT RUNNER CAN NOT RECOMMEND A MAXIMUM LOAD CARRYING CAPACITY. PLEASE REFER TO YOUR VEHICLE MANUFACTURER'S RECOMMENDATIONS. IT IS CRITICAL THAT ALL FRONT RUNNER PRODUCTS BE PROPERLY AND SECURELY ASSEMBLED AND ATTACHED TO YOUR VEHICLE. IMPROPER ATTACHMENT COULD RESULT IN AN AUTOMOBILE ACCIDENT, AND COULD CAUSE SERIOUS BODILY INJURY OR DEATH. YOU ARE RESPONSIBLE FOR ASSEMBLING AND SECURING ALL FRONT RUNNER PRODUCTS TO YOUR VEHICLE. CHECKING THE ATTACHMENTS PRIOR TO USE, AND PERIODICALLY INSPECTING THE PRODUCTS FOR ADJUSTMENT, WEAR AND DAMAGE. THEREFORE YOU MUST READ AND UNDERSTAND ALL OF THE INSTRUCTIONS AND PRECAUTIONS SUPPLIED WITH YOUR FRONT RUNNER PRODUCT PRIOR TO INSTALLATION OR USE. IF YOU DO NOT UNDERSTAND ALL OF THE INSTRUCTIONS AND CAUTIONS, OR IF YOU HAVE NO MECHANICAL EXPERIENCE AND ARE NOT THOROUGHLY FAMILIAR WITH THE INSTALLATION PROCEDURES, YOU SHOULD HAVE THE PRODUCT INSTALLED BY A PROFESSIONAL INSTALLER OR OTHER QUALIFIED PERSONNEL.

1

GET ORGANIZED

IN THE BOX

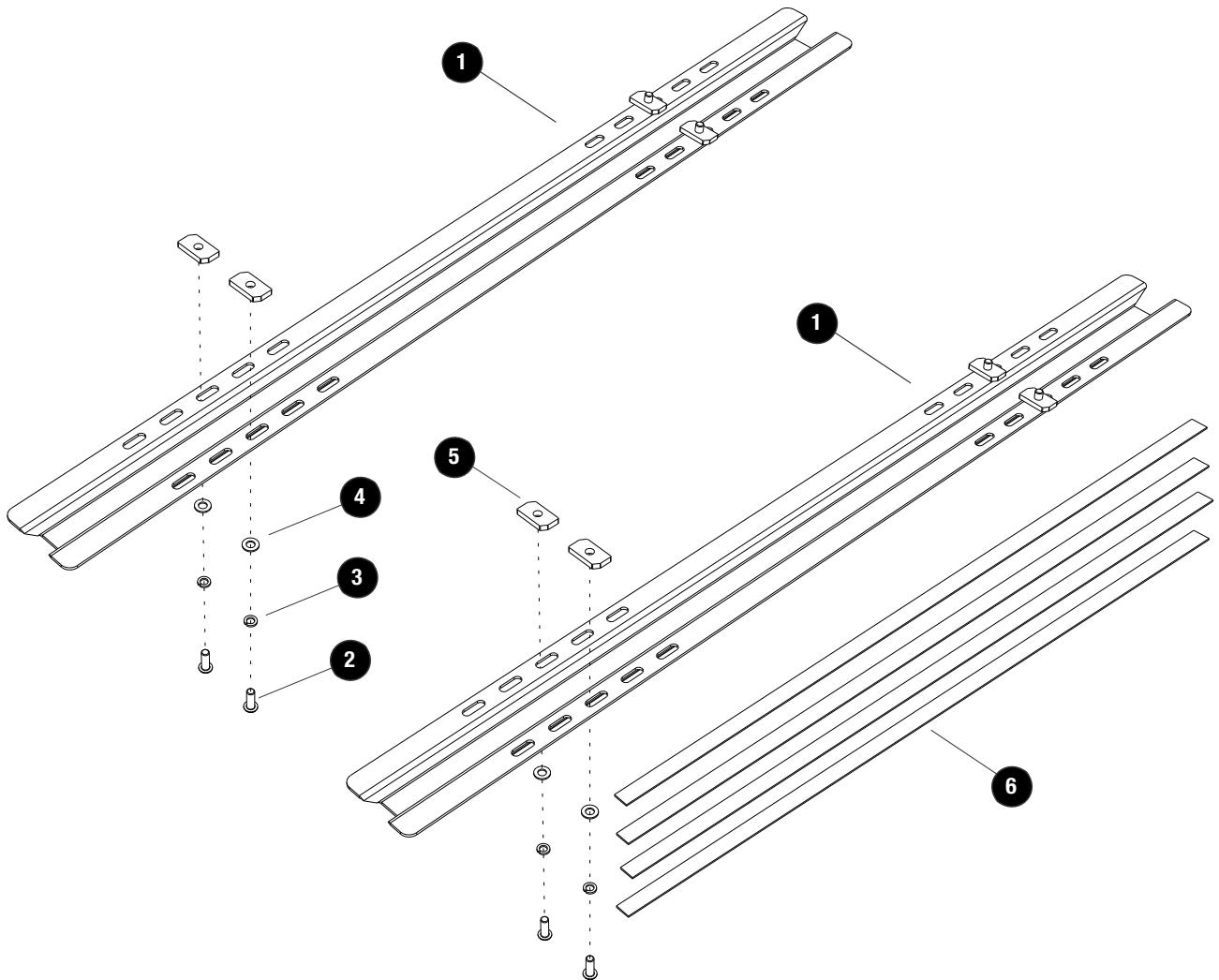
1	2 X	Hard Shell Tent Channel Support
2	8 X	M8 x 25 Button Head Bolt
3	8 X	M8 SS Spring Washer
4	8 X	M8 x 16 x 1.6 SS Flat Washer
5	8 X	M8 Channel Nut
6	4 X	Rubber Strip

TOOLS NEEDED



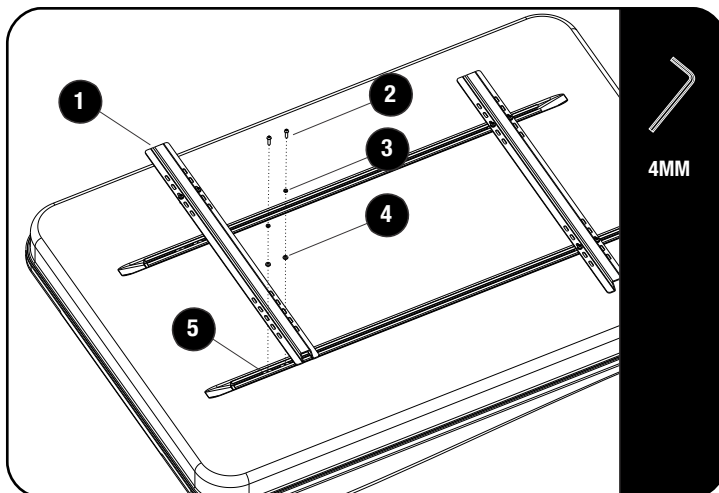
5mm

FIGURE 1.1



2**FIT AND SECURE**

2.1

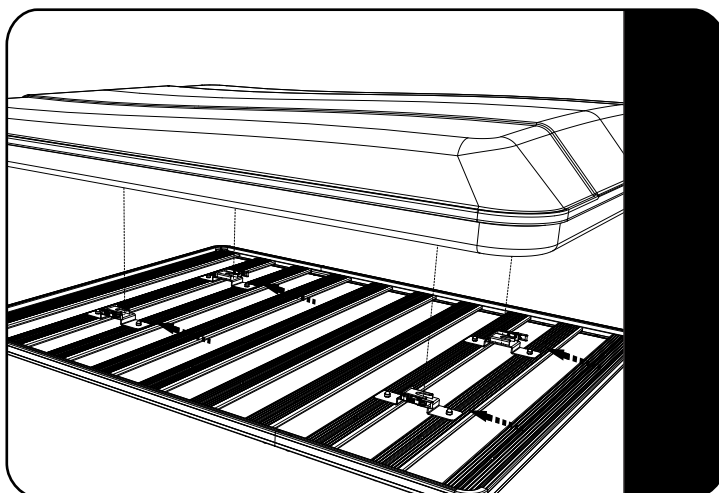


Slide four M8 Channels Nuts (Item 5) into each of the tent mounting channels.

Apply the Rubber Strip (Item 6) to the Tent Support Channels so that it sits between the Channel and the tent.

Loosely fit the Tent Support Channels to the tent by using M8 x 25 Button Head Bolts, M8 SS Spring Washers and M8 x 16 x 1.6SS Flat Washers (Items 2, 3 & 4) as shown.

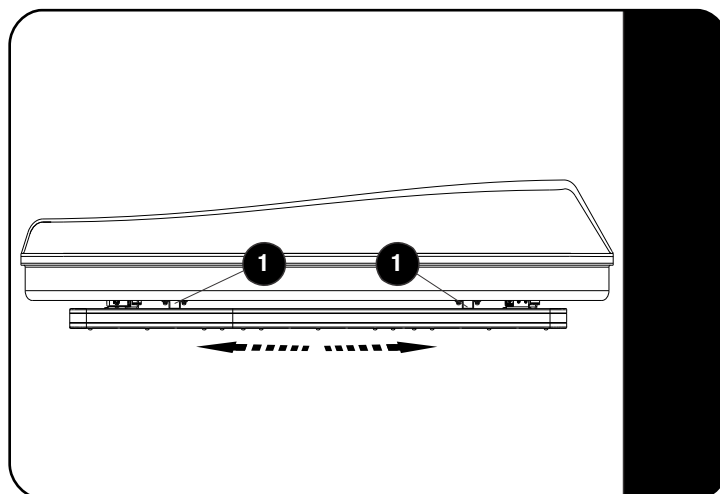
2.2



Fit your tent mounting system (TBMK012) to the Rack.

Refer to TBMK012 fitment guide for instructions.

2.3

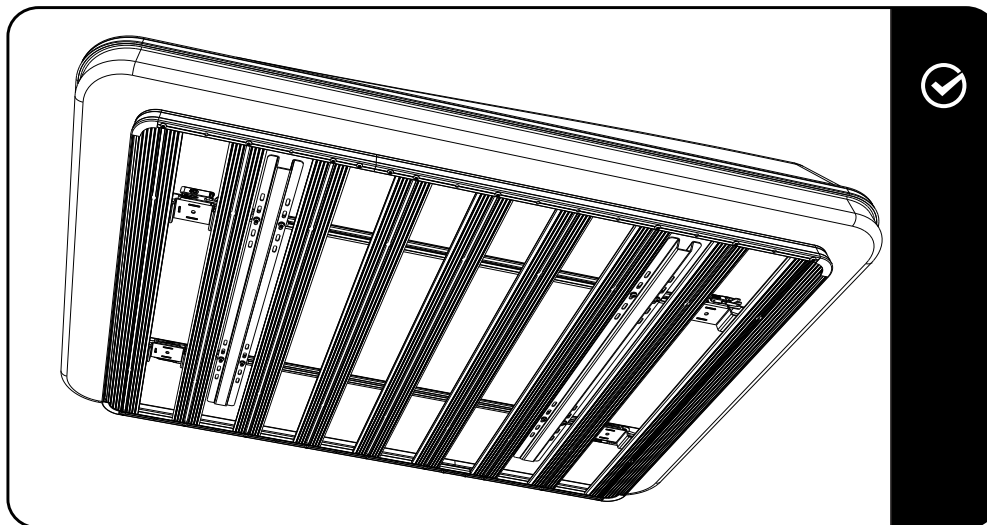


Move the Tent Support Channels (Item 1) outward as shown to create sufficient support underneath the tent where needed.

Fully tighten the Tent Support Channels to the tent.

3 COMPLETION

3.1



Congratulations. You did it. Take a step back and admire your work!

4 Front Runner will not be responsible for any damage caused by the failure to install the product according to these instructions. Please call us if you have any questions about the installation of this product.

5 **INSTALL OTHER VEHICLE AND RACK ACCESSORIES**
Now's the time to visit your favorite Front Runner Dealer in person or Online.

Be sure to tag us. We love to see our gear in action! #FrontRunnerOutfitters #BornToRoam

Share your adventures on:  