

READ ME !

Thank you for purchasing a Front Runner Quick Release Awning Mount Kit.

Before you start, take a moment to familiarize yourself with the Fitting Instructions and the components received.

Refer to Page 2 for a list of all the components, quantities and tools required.

IMPORTANT WARNING!

IT IS CRITICAL THAT ALL FRONT RUNNER PRODUCTS BE PROPERLY AND SECURELY ASSEMBLED AND ATTACHED TO YOUR VEHICLE. IMPROPER ATTACHMENT COULD RESULT IN AN AUTOMOBILE ACCIDENT, AND COULD CAUSE SERIOUS BODILY INJURY OR DEATH. YOU ARE RESPONSIBLE FOR ASSEMBLING AND SECURING ALL FRONT RUNNER PRODUCTS TO YOUR VEHICLE, CHECKING THE ATTACHMENTS PRIOR TO USE, AND PERIODICALLY INSPECTING THE PRODUCTS FOR ADJUSTMENT, WEAR AND DAMAGE. THEREFORE, YOU MUST READ AND UNDERSTAND ALL OF THE INSTRUCTIONS AND PRECAUTIONS SUPPLIED WITH YOUR FRONT RUNNER PRODUCT PRIOR TO INSTALLATION OR USE. IF YOU DO NOT UNDERSTAND ALL OF THE INSTRUCTIONS AND CAUTIONS, OR IF YOU HAVE NO MECHANICAL EXPERIENCE AND ARE NOT THOROUGHLY FAMILIAR WITH THE INSTALLATION PROCEDURES, YOU SHOULD HAVE THE PRODUCT INSTALLED BY A PROFESSIONAL INSTALLER OR OTHER QUALIFIED PERSONNEL.

NOTE: Front Runner will not be responsible for any damage caused by the failure to install the product according to these instructions.

Please call us if you have any questions about the installation of this product.

1 GET ORGANIZED

IN THE BOX

1	2 X	Awning Mount Bracket
2	2 X	Wall Mount Bracket
3	2 X	Rack Mount Bracket
4	4 X	Catch
5	2 X	Bobbin
6	14 X	M8 Nyloc Nut
7	14 X	M8 x 16 x 1.6SS Flat Washer
8	2 X	M8 x 19 x 2SS Flat Washer
9	2 X	M8 x 20 Button Head Bolt
10	4 X	M8 x 25 Button Head Bolt
11	2 X	M8 x 35 Button Head Bolt
12	4 X	M6 x 20 Hex Bolt
13	6 X	M8 x 20 Hex Bolt
14	8 X	M8 Nut Cap
15	4 X	M6 Nut Cap
16	4 X	M6 Nyloc Nut
17	4 X	M6 x 19 x 1SS Flat Washer
18	4 X	Nail In Anchor
19	2 X	Rack Support
20	2 X	M8 x 30 Button Head Bolt

TOOLS NEEDED

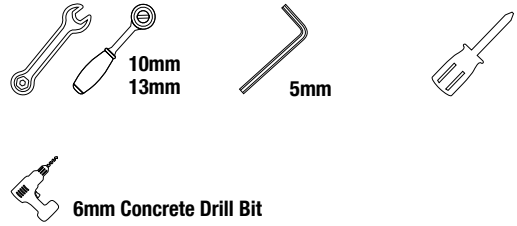
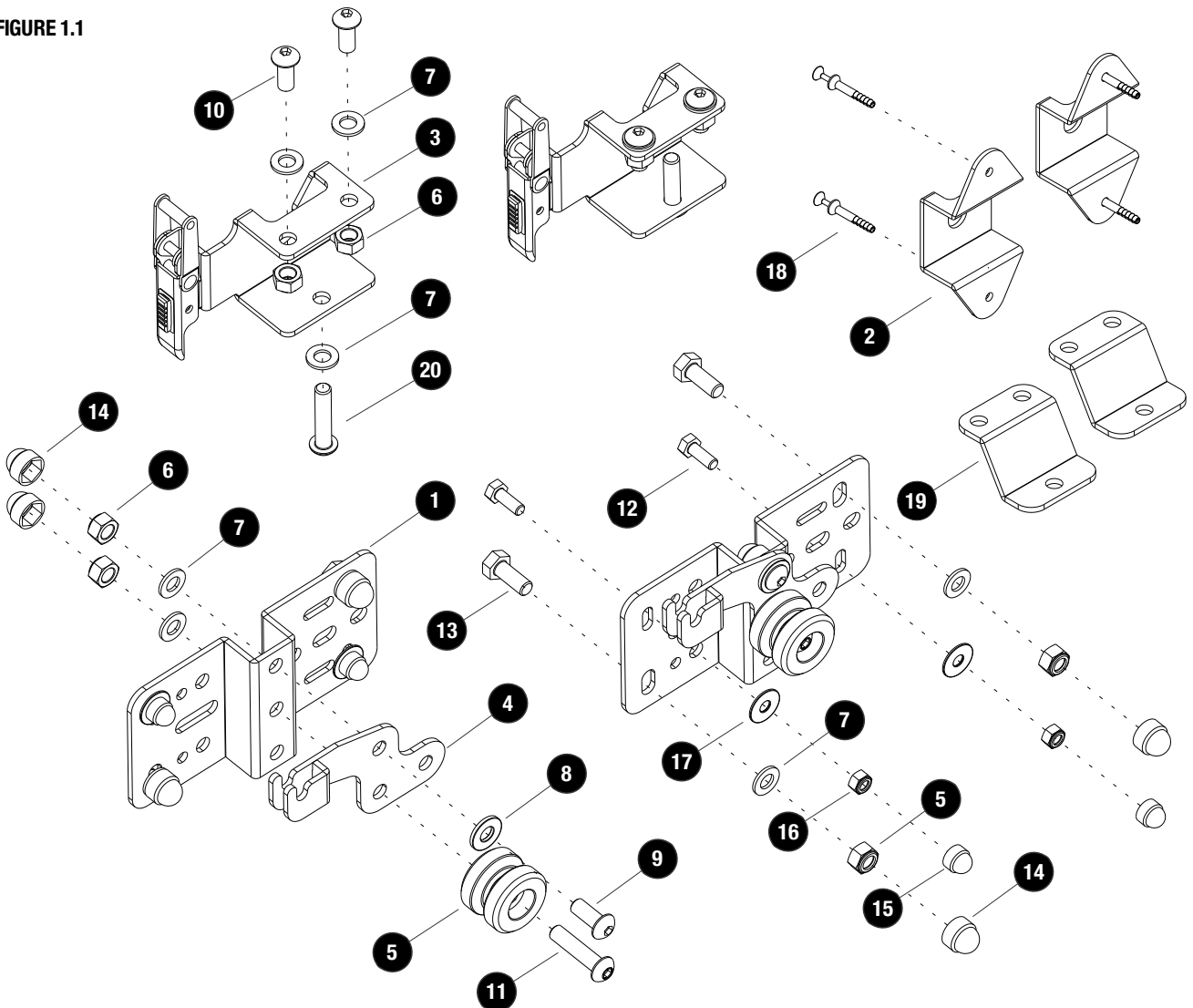


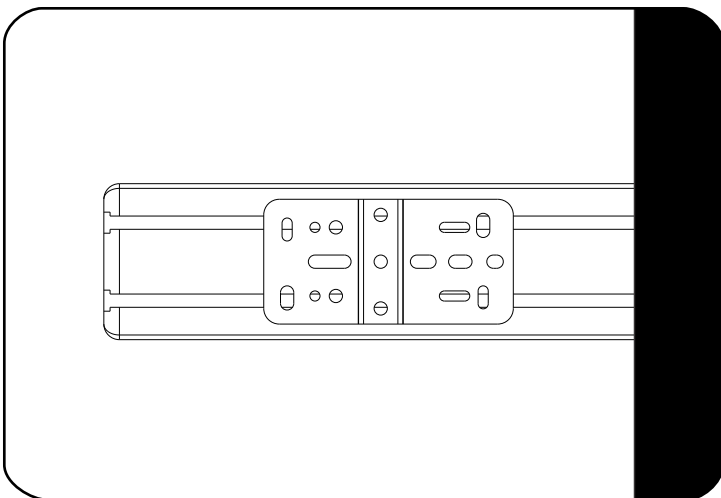
FIGURE 1.1



2

FIT AND SECURE

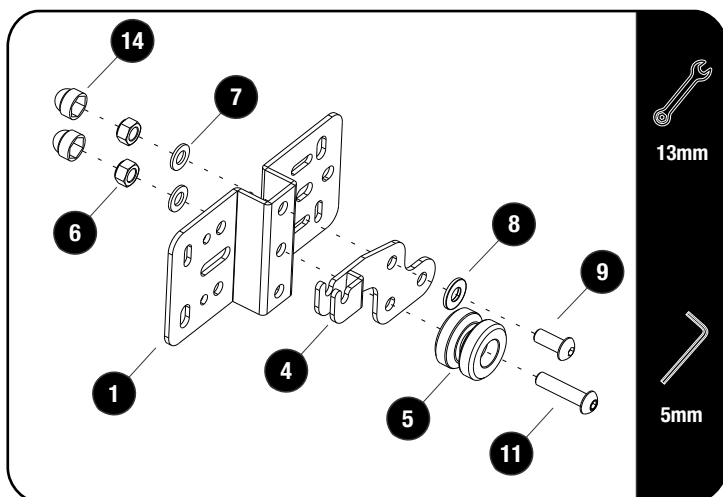
2.1



↻ Determine in which direction the Awning Mount Bracket (Item 1) will fit on your awning.

The Bracket can be turned vertically or horizontally.

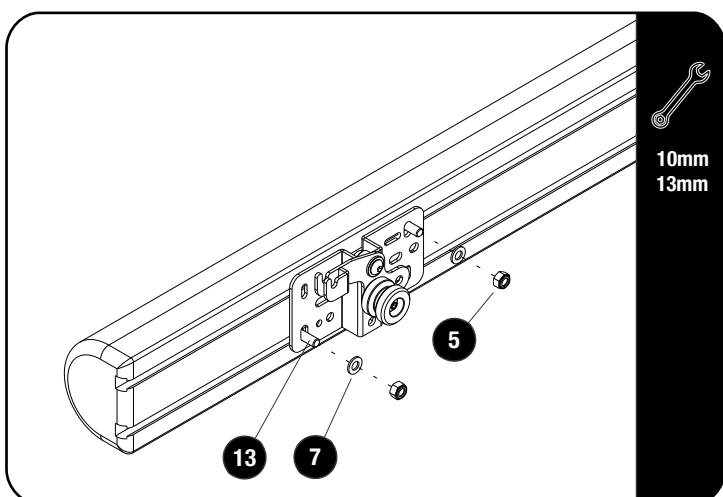
2.2



↻ Assemble the Bobbins and Catches (Items 4 & 5) to the Awning Mount Brackets (Item 1) using a M8 x 20 Button Head Bolts, M8 x 35 Button Head Bolts, M8 x 19 x 2SS Flat Washers, M8 x 16 x 1.6SS Flat Washers and M8 Nyloc Nuts (Items 6, 7, 8, 9 & 11) as shown.

Finish off by placing M8 Nut Caps (Item 14) on the Nyloc Nuts.

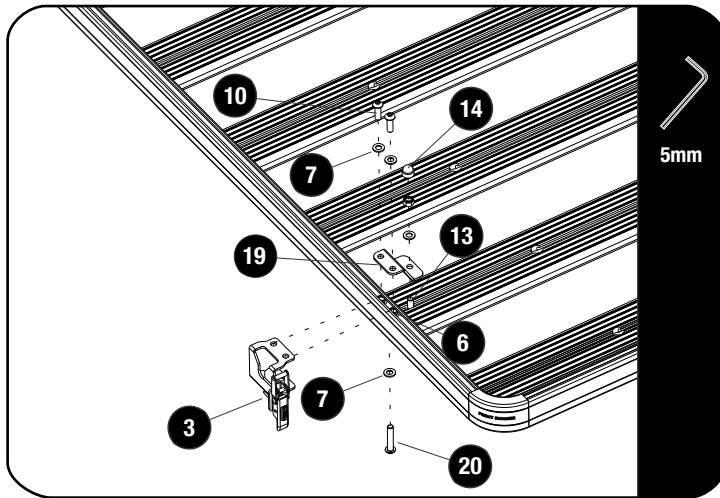
2.3



↻ Loosely fit the assembly from 2.2 onto the back of your awning. Depending on the make of your awning use either M6 x 16 or M8 x 16 Hex Bolts, Nyloc Nut and Flat Washers. (Items 12, 16 & 17 or 5, 7 & 13) as shown

The Brackets will be fully tightened in 2.5.

2.4



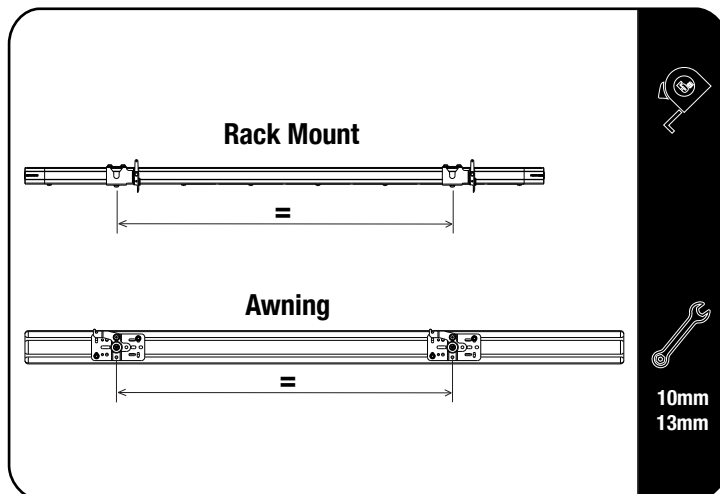
Place the Rack Mount Brackets (Item 3) over the side profile, followed by the Rack Support (Item 19) and secure using M8 x 25 Button Head Bolts, M8 x 30 Button Head Bolts, M8 x 16 Hex Bolts, M8 x 16 x 1.6SS Flat Washers and M8 Nyloc Nuts (Items 6, 7, 10, 13 & 20) as shown.

Finish off by placing M8 Nut Caps (Item 14) on the Nyloc Nuts.



It is recommended to mount the brackets over a slat as shown in 2.4.

2.5

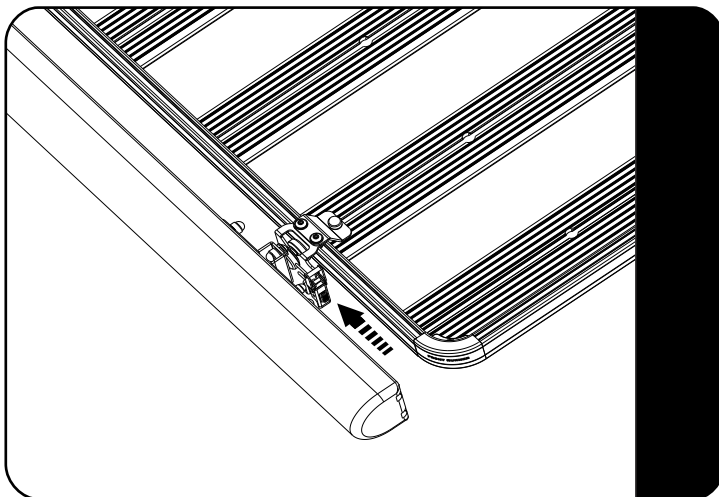


Measure the pitch of the Rack Mount Brackets. Transfer the measurement over to the Awning Brackets.

Fully tighten the Awning Brackets after you have set them.

Finish off by placing Nut Caps on the Nyloc Nuts.

2.6



Place the loop of the latch over the hook of the Catch on the Mounting Bracket.

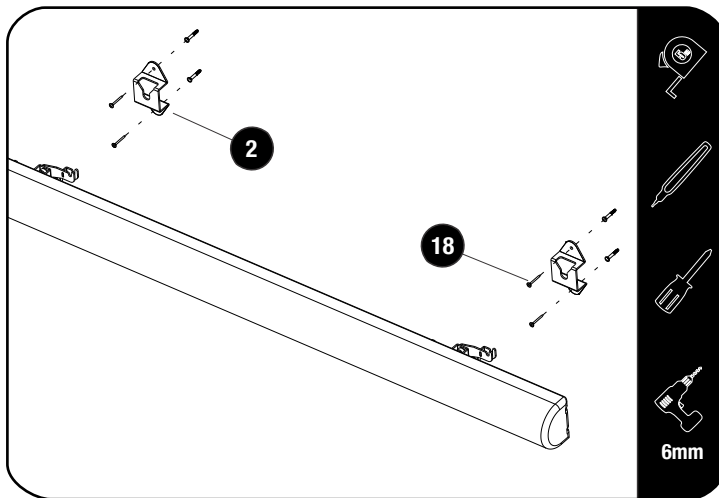
Close the Latch to secure the awning onto the rack.

Do this with both latches.

2

FIT AND SECURE

2.7



Use the Wall Mount Brackets (Item 2) to store the awning when not in use.

Choose the desired height you want to store the awning on the wall. Start by placing one of the Wall Mount Brackets against the wall at your desired height. Mark the holes in the Bracket onto the wall. Note the orientation of the Bracket in 2.7. Using a 6mm concrete drill bit, drill on the marks you have made. Secure the Bracket to the wall using two 6x35 Nail In Anchors (Item 18) as shown.

Measure the pitch of the Awning Brackets. Transfer the measurement over to the Wall Mount Brackets using the mounted Bracket as a start point.

Mark the holes in the second Bracket onto the wall. Using a 6mm concrete drill bit, drill on the marks you have made. Secure the Bracket to the wall using two 6x35 Nail In Anchors (Item 18) as shown.

3

FINISH

Congratulations! You did it. Take a step back and admire your work!

4

INSTALL OTHER VEHICLE AND RACK ACCESSORIES

Now's the time to visit your favorite Front Runner Dealer in person or online.

Be sure to tag us. We love to see our gear in action! #FrontRunnerOutfitters #BornToRoam

Share your adventures on: 