

READ ME !

Thank you for purchasing a Front Runner Pro Canoe & Kayak Carrier.
Before you start, take a moment to familiarize yourself with the Fitting Instructions and the components received.
Refer to Page 2 for a list of all the components, quantities and tools required.

IMPORTANT WARNING!

IT IS CRITICAL THAT ALL FRONT RUNNER PRODUCTS BE PROPERLY AND SECURELY ASSEMBLED AND ATTACHED TO YOUR VEHICLE. IMPROPER ATTACHMENT COULD RESULT IN AN AUTOMOBILE ACCIDENT, AND COULD CAUSE SERIOUS BODILY INJURY OR DEATH. YOU ARE RESPONSIBLE FOR ASSEMBLING AND SECURING ALL FRONT RUNNER PRODUCTS TO YOUR VEHICLE, CHECKING THE ATTACHMENTS PRIOR TO USE, AND PERIODICALLY INSPECTING THE PRODUCTS FOR ADJUSTMENT, WEAR AND DAMAGE. THEREFORE, YOU MUST READ AND UNDERSTAND ALL OF THE INSTRUCTIONS AND PRECAUTIONS SUPPLIED WITH YOUR FRONT RUNNER PRODUCT PRIOR TO INSTALLATION OR USE. IF YOU DO NOT UNDERSTAND ALL OF THE INSTRUCTIONS AND CAUTIONS, OR IF YOU HAVE NO MECHANICAL EXPERIENCE AND ARE NOT THOROUGHLY FAMILIAR WITH THE INSTALLATION PROCEDURES, YOU SHOULD HAVE THE PRODUCT INSTALLED BY A PROFESSIONAL INSTALLER OR OTHER QUALIFIED PERSONNEL.

NOTE: Front Runner will not be responsible for any damage caused by the failure to install the product according to these instructions.
Please call us if you have any questions about the installation of this product.

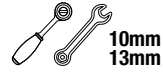
1

GET ORGANIZED

IN THE BOX

1	2 X	Pro Canoe & Kayak Carrier
2	8 X	M8 x 20 Hex Bolt
3	4 X	M8 x 16 x 1.6SS Flat Washer
4	4 X	M8 Nyloc Nut
5	4 X	M8 Nut Cap
6	4 X	M6 x 25 Button Head
7	4 X	M6 Nyloc Nut
8	4 X	M6 Nut Cap
9	1 X	Stratchit with Carabiner (Pair)
10	4 X	M8 Eye Nut
11	4 X	M8 Nylon Washer

TOOLS NEEDED



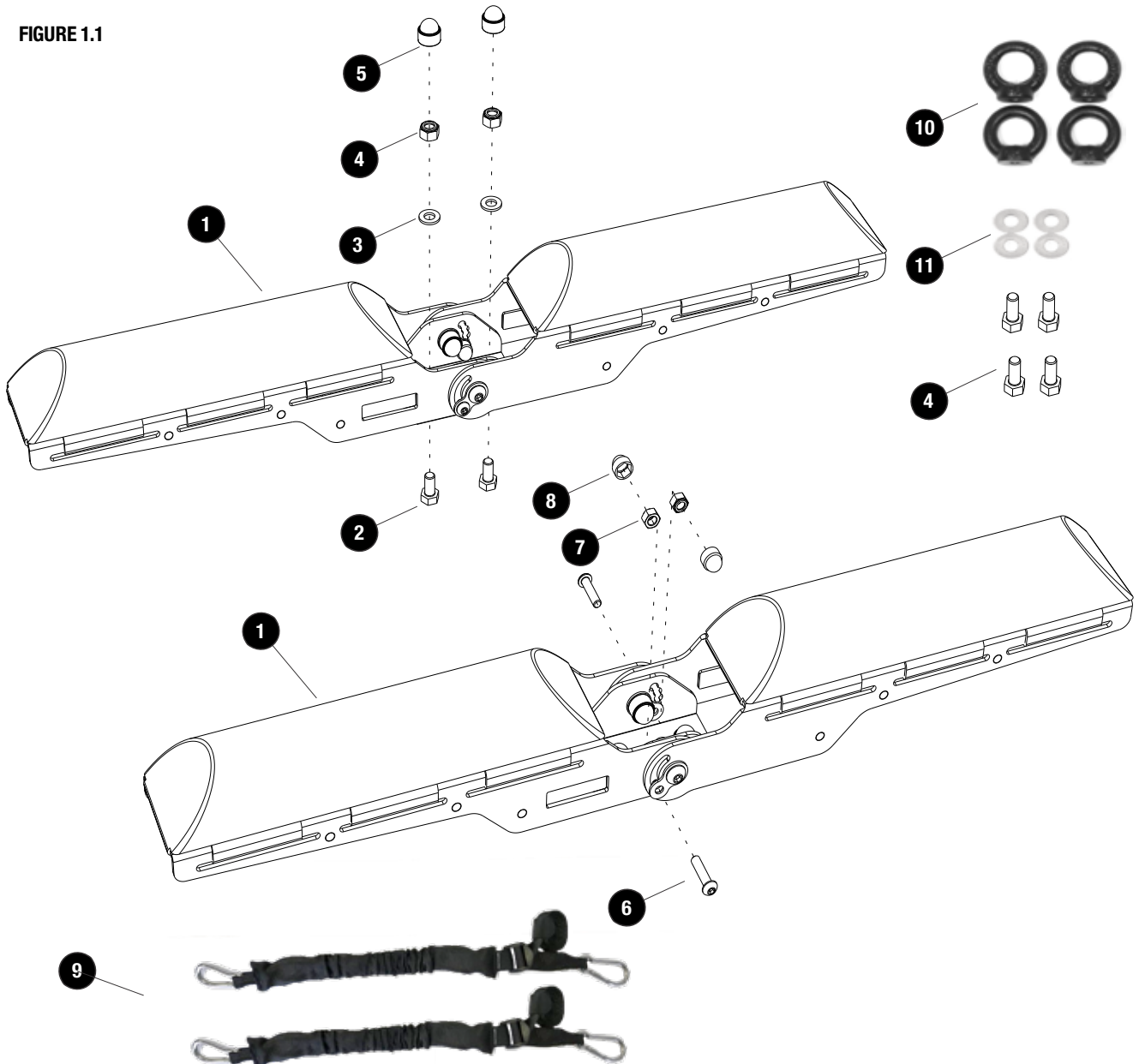
10mm
13mm



4mm



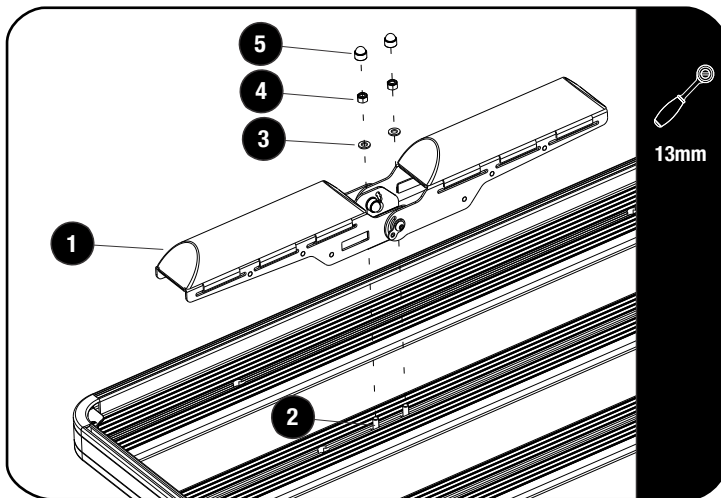
FIGURE 1.1



2

FIT AND SECURE

2.1



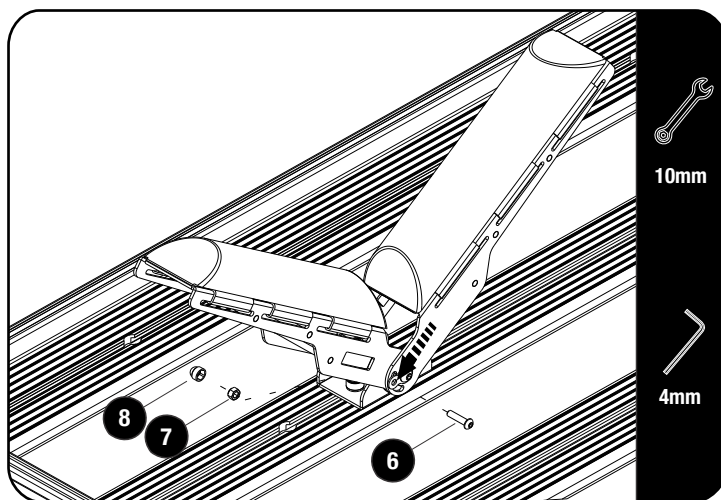
Decide where on your rack you would like to place your Pro Canoe / Kayak Carriers (Item 1). Work out the correct spacing between the two Carriers according to the length of what you are carrying.

Slide four M8 x 20 Hex Bolts (Item 2) into the machined slot of each of the two chosen slats. Place each Carrier over two Hex Bolts. Loosely fasten the Carriers to the rack using the M8 Flat Washer and the M8 Nyloc Nut (Items 3 & 4) as shown.

Position the two Carriers left to right as required and fully tighten all the Nyloc Nuts.

Place an M8 Nut Cap (Item 5) over each of the Nyloc Nuts.

2.2



Each Carrier has five settings, allowing you to adjust the angle. (Refer to Step 2.3).

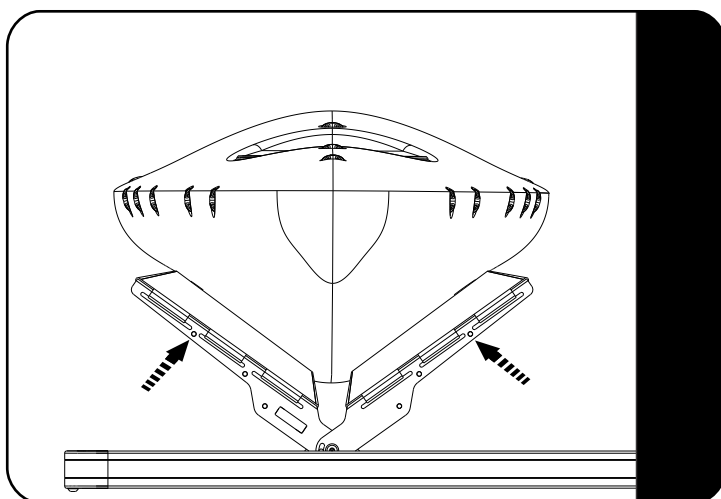
Loosen and remove the two M6 x 25 Button Head Bolts (Item 6).

Adjust the Carrier up or down as required, aligning the hole on the outside of the Carrier with one of the five adjustment holes on the inside of the Carrier.

Lock the Carrier in the chosen position by using the M6 x 25 Button Head and M6 Nyloc Nuts (Items 6 & 7) removed earlier and fully tighten.

Place M6 Nut Caps (Item 8) over the Nyloc Nuts.

2.3



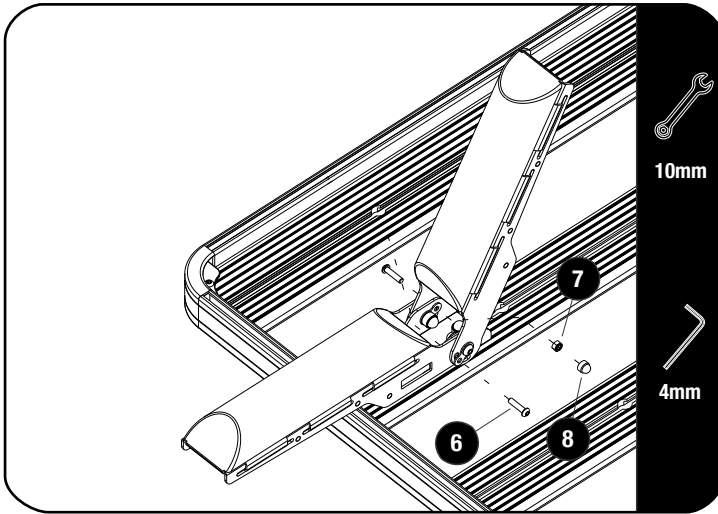
Secure your Kayak / Canoe using the Stratchits supplied. The carabiners are attached to the Carriers on one of the cross bars as indicated in Step 2.3.

Should your Kayak be extra wide, the Stratchits can be attached to the M8 Eye Nuts (Item 11) by fixing them in the T-Slots of your Rack, using M8 x 16 Hex Bolts and M8 Nylon Washers (Items 4 & 11).

2

FIT AND SECURE

2.4



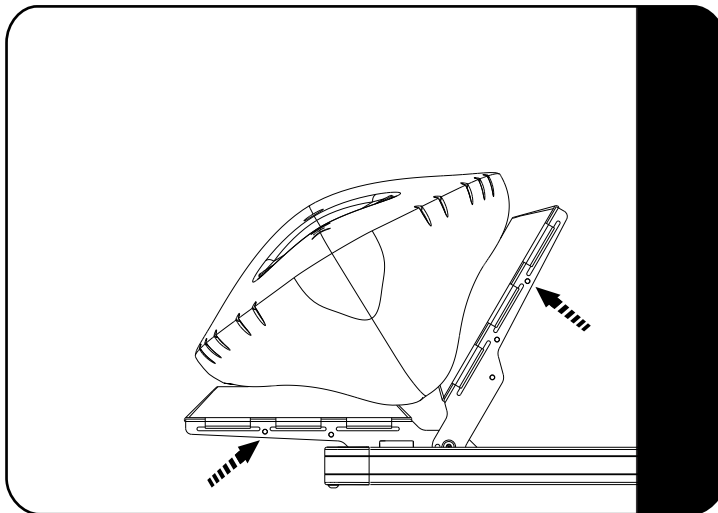
If you want to create more space on your rack, the Pro Canoe / Kayak Carrier can be mounted to the left or right side, overhanging the rack as shown. (Refer to Step 2.5)

Adjust one arm of the Carrier up or down as required, aligning the hole on the outside of the Carrier with one of the five adjustment holes on the inside of the Carrier.

Fasten the Carrier in position using M6 x 25 Button Bead and M6 Nyloc Nuts (Items 6 & 7) as shown removed earlier.

Place M6 Nut Caps (Item 8) over the Nyloc Nuts.

2.5



Secure your Kayak/Canoe using the Stratchits (Item 9) supplied. The Carabiners are attached to the Carriers on one of the cross bars as indicated or by using the M8 Eye Nuts, M8 Nylon Washers and M8 x 16 Hex Bolts and fixing them in a suitable T-slot on your Rack.

3 COMPLETION

3.1



Congratulations! You did it. Take a step back and admire your work!

4 INSTALL OTHER VEHICLE AND RACK ACCESSORIES

Now's the time to visit your favorite Front Runner Dealer in person or online.

Be sure to tag us. We love to see our gear in action! #FrontRunnerOutfitters #BornToRoam

Share your adventures on: 