

Battery Installation

Uses 3 AA (LR6) batteries (not included)

1. Twist and open the battery compartment door at the bottom.
2. Remove the battery cover with a screwdriver.
3. Insert three AA (LR6) batteries into the unit with polarity as indicated on the battery compartment.
4. Replace the battery cover and battery door.
5. Replace a new battery when the light becomes dim.
6. Insert new batteries according to the polarity marks.



IMPORTANT: Keep these instructions. DO NOT DISCARD.

Only adults should install and replace batteries. Alkaline batteries are recommended. Do not use rechargeable batteries. Non-rechargeable batteries are not to be recharged. If the device has not been used for a long time, remove the batteries. Rechargeable batteries are to be removed from the toy before being charged. Rechargeable batteries are only to be charged under adult supervision. Do not mix old and new batteries. Do not mix alkaline, standard (carbon zinc) or rechargeable (nickel cadmium) batteries. Exhausted batteries are to be removed from the toy. The supply terminals are not to be short-circuited. Only batteries of the same or equivalent type as recommended are to be used. Batteries are to be inserted with the correct polarity. Do not dispose of batteries in fire, batteries may explode or leak. Batteries may explode or leak if misused.



If at any time in the future you should need to dispose of this product please note that waste electrical products should not be disposed of with household waste. Please recycle where facilities exist. Check with your Local Authority or retailer for recycling advice. (Waste Electrical and Electronic Equipment Directive)

Note: Under the environment with electrostatic discharge, the device may malfunction and require user to reset the device. Temporarily remove the batteries and disconnect the AC/DC adapter to reset.

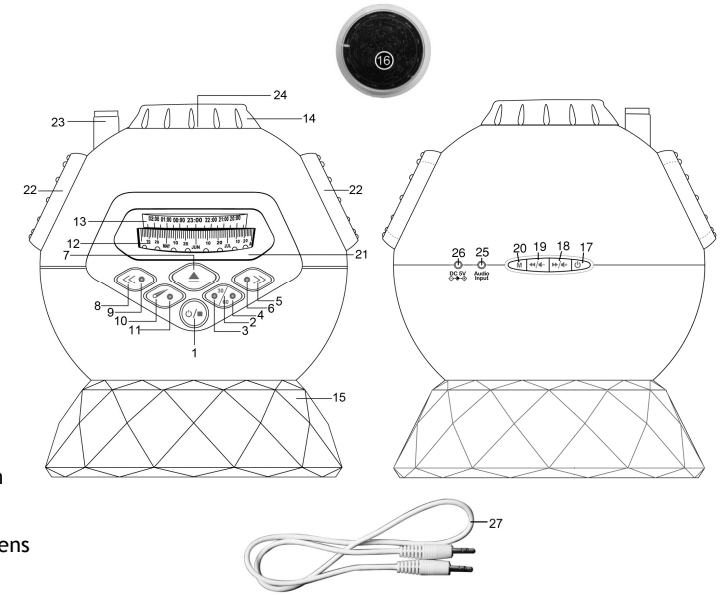
User Instructions

Item no. 38098

Planetarium with multimedia speaker and radio

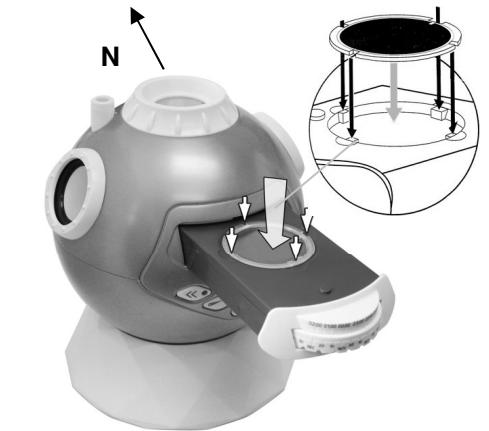
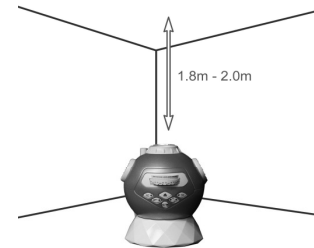
COMPONENTS

- 1 ON/STOP/OFF switch
- 2 Sleep Timer Button
- 3 30 Minute Sleep Indicator
- 4 60 Minute Sleep Indicator
- 5 Rotate Right Button
- 6 Rotate Right Indicator
- 7 Slide Tray Eject Button
- 8 Rotate Left Button
- 9 Rotate Left Indicator
- 10 Shooting Star Button
- 11 Shooting Star Indicator
- 12 Date Dial
- 13 Time Scale
- 14 Focus Dial
- 15 Stand
- 16 Star Disc (2 pieces)
- 17 Speaker ON/OFF Button
- 18 CH+/Vol + Button
- 19 CH-/Vol - Button
- 20 MODE (AUX/Radio) Button
- 21 Star Disc tray
- 22 Speakers
- 23 Shooting star projection lens
- 24 Main projection lens
- 25 Audio IN Connector
- 26 5V DC IN Connector
- 27 Audio cable



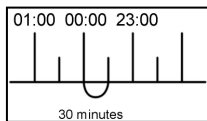
Setting up the Planetarium

1. Open the battery cover at the bottom of the unit and insert 3 pieces of AA size batteries. Please refer to the "Battery Installation Section" below. Replace battery cover firmly.

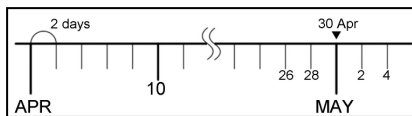


2. Place the unit over the stand (15) on a flat and stable platform (e.g. a table), the optimum project distance is about 1.8m to 2m.
3. Press the Slide Tray Eject Button (7) to open the tray and install the star disc (16). Note the keys on the disc have to match the ridges on the tray.
4. While the slide tray is still opened, set the time and date of the night sky you want to view by aligning the desired date on Date Dial with the desired hour on the Time Scale.

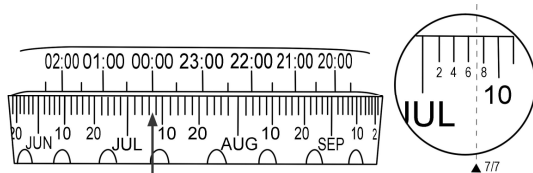
Time Scale (fixed): Time from 20:00 (8 p.m.) to 02:00 (2 a.m.) is shown. Align the Date Dial with it to project stars at a particular time. (Each subdivision equals 30 minutes.)



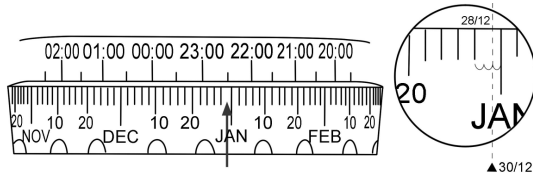
Date Dial (Adjustable): The Date Dial has 365 days. Adjust the dial to project stars you want to see on a particular date. (Each subdivision equals 2 days. The long mark corresponds to the last day of the previous month.)



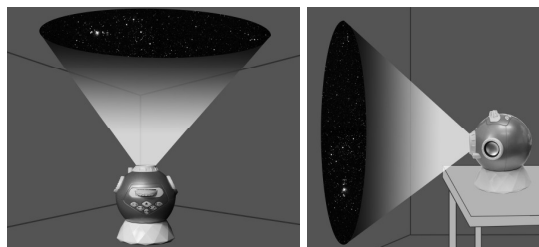
Example 1: If you want to see the star pattern at mid-night (00:00) on 7th July, align 00:00 on the time scale with 7th July. Position of the date 7th is between 6th and 8th.



Example 2: If you want to see the star pattern at 22:30 (10:30 p.m.) on 30th December, align 22:30 on the time scale with 30th December. As shown in the figure, the small marking represents 3 days. Therefore the day 30th would be at 2/3 of the marking. (The same setting applies to January, March, May, July, August and October.) Note that 28th and 29th of February are at the same mark.



5. Close the tray. Note that you are looking to the north when you face the star projector from the front. Please do not turn the Date Dial when the tray is closed. You need to open the tray again if you want to set the date, or you can use the Rotate Left (8) or Rotate Right button (5) while the unit is turned on.



6. Press the ON/STOP/OFF switch (1) once to turn on the Projector Light. Dim or turn off the light in the room for best visual experience. Note that the unit cannot be turned on when the tray is opened.

7. You can freely adjust the projection angle of the projection head over the stand (15) to suit viewing on the ceiling or sidewall.

8. Adjust the focus dial (14) until the projected star field is sharp. The optimum project distance is 1.8m to 2m, image will become blur if the distance is too near or too far.



Using the Star Motion Function

1. Press the Rotate Left Button (8) to rotate the night sky anticlockwise, which is the motion of the stars in the northern hemisphere. Press the button again to increase the rotation speed. A total of five speed is available. Each press will select the next higher speed. The Rotate Left Indicator (9) will blink according to the speed. Press the "ON/STOP/OFF" button to stop.
2. Similarly, press the Rotate Right Button (5) to rotate the stars clockwise, which is the motion of the stars in the southern hemisphere. A total of five speed is also selectable.

Using the Shooting Star Function

When the night sky is in the rotating state, press the Shooting Star Button (10) to enable the shooting star function. A shooting star will appear in the night sky at regular time interval. It will appear more frequently if the rotating speed is set higher. Press the same button again to disable shooting star.

Using the Timer Function

Press the Sleep timer button (2) to enable 30 or 60 minute sleep timer, the corresponding LED indicator will show the current selected timer. To disable sleep timer, press the timer button until both timer indicator light (3,4) are off. However, the projector will still turn off automatically in 2 hours to save battery.

Powering OFF

Press and hold the ON/STOP/OFF (1) button to turn off the unit.

Using the multimedia speaker

Connect a music player's audio output or smartphone's earphone output to the Audio IN connector (25) at the back of the unit.

Turn on the speaker by pressing the Speaker ON/OFF button (17).

If it is in Radio mode, press the Mode (AUX/Radio) button (20) to change to Speaker Mode.

Adjust the volume by pressing and holding the Vol+/Vol- buttons (18,19).

Switch between Radio mode and Speaker mode by pressing the Mode (AUX/Radio) button (20).

Using the FM Radio

Turn on the speaker by pressing the Speaker ON/OFF button (17).

If the Audio IN connector (25) is unplugged, it will enter Radio mode automatically.

If the Audio IN connector (25) is connected, select Radio mode by pressing the Mode (AUX/Radio) button (20).

Press the ON/OFF button once to start searching and saving the preset radio stations automatically. When searching is completed, it will return to the first preset station.

Select other preset radio stations by short pressing the CH+/CH- buttons (18,19).

Adjust the volume by pressing and holding the CH+/CH-(Vol+/Vol-) buttons (18,19).

Using AC/DC adapter

This unit can be powered by an AC/DC adapter (not included). Connect the AC/DC adapter (5V 1000mA Output, 3.5mm Center Positive Plug $\diamond \ominus \diamond$) into the Planetarium's 5V DC IN connector (26) and plug it into an AC wall outlet.

Technical Specifications

Viewing Location:	N35°
Constellations:	61
Stars:	8000
Light Source:	High Brightness White LED
Star field orientation adjustment:	Date, Hour
Projection Area:	1.8 x 2.2m at 2.0m distance
Number of stars:	8000 (each star disc)
Auto Off Timer:	30, 60, 120 minute
Power:	5V DC (3 x 1.5V AA/LR6)