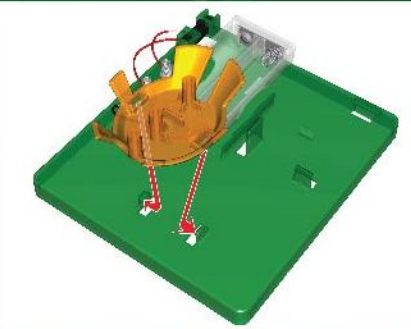
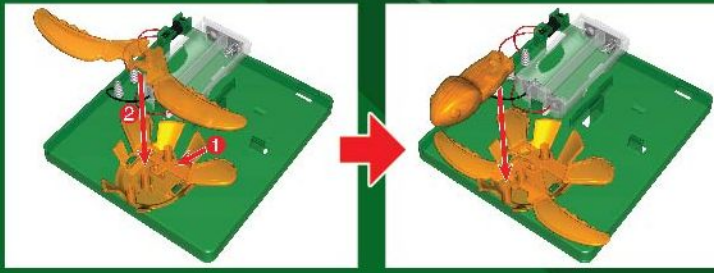


5. Install the bottom shell (5) on the base plate. Lock it into position by the hooks on the base plate.



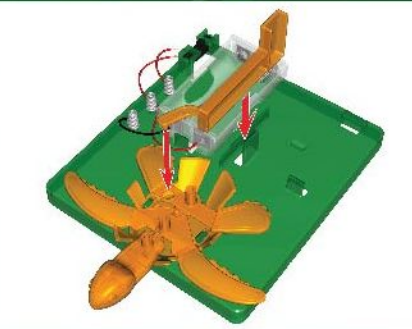
6. Install the hind flippers (3), then the fore flippers (2) and the head assembled in step 3 on the lower shell.



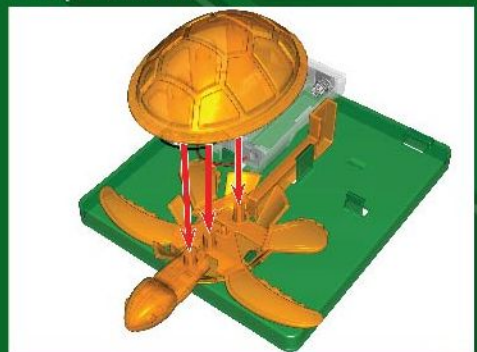
5

6

7. Fix the right angle arm (7) on the base plate (15) with its pin inserted into the hole of the right hind flipper.



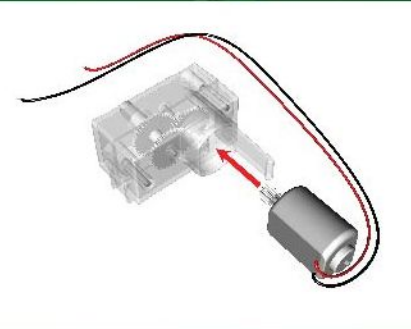
8. Install the top shell (4).



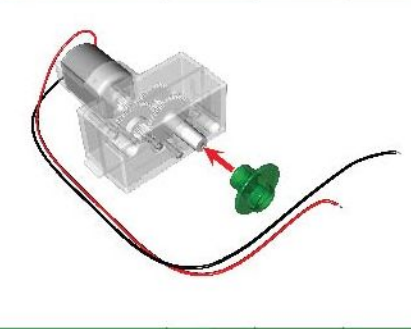
7

8

9. Insert the motor (10) into the gearbox (9) until it is locked in position.



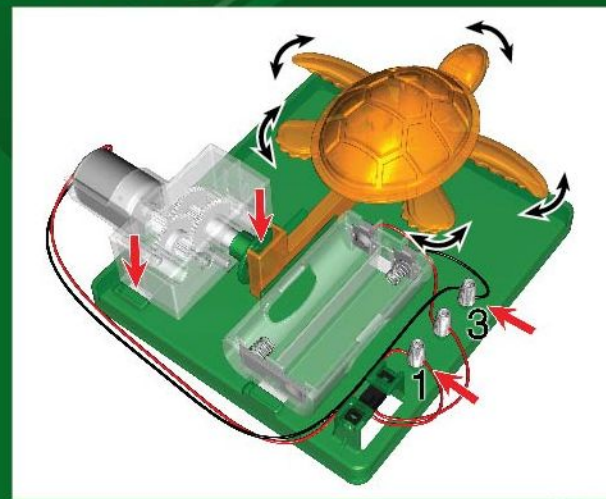
10. Cover the shaft of the gearbox (9) with the gearbox cap (11).



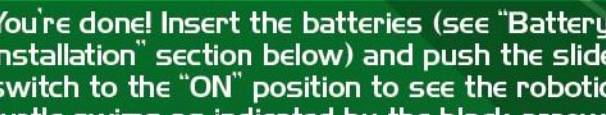
9

10

11. Install the gearbox on the base plate and connect the red wire and black wire to the spring connector at position 1 and 3 respectively. You may need to slightly adjust the position of the right angle arm so that the gearbox cap stays in the slot.



12. You're done! Insert the batteries (see "Battery Installation" section below) and push the slide switch to the "ON" position to see the robotic turtle swims as indicated by the black arrows!



11

12

NO. 28131

Robotic Turtle

WARNING!
Not Suitable For Children Under 36 Months Due to Small Parts, Choking hazard. This toy contains functional sharp point on the component leads. Hair entanglement may result if the child's head is too close to the motorized unit of this toy. Use with care and only under supervision of adults.

WARNING!
Do not short-circuit the battery terminals and spring connectors, which may cause overheating. Do not lock the motor or other moving parts, which may cause overheating. The wires are not to be inserted into socket outlets. The toy is not to be connected to more than recommended number of power supplies.

IMPORTANT: Keep these instructions. DO NOT DISCARD.

- Only adults should install and replace batteries.
- Alkaline batteries are recommended.
- If the toy has not been used for a long time, remove the batteries.
- Do not use rechargeable batteries.
- Do not mix old and new batteries.
- Do not mix alkaline, standard (carbon zinc) or rechargeable (nickel cadmium) batteries.
- Exhausted batteries are to be removed from the toy.
- The supply terminals are not to be short-circuited.
- Non-rechargeable batteries are not to be recharged.
- Rechargeable batteries are to be removed from the toy before being charged.
- Rechargeable batteries are only to be charged under adult supervision.
- Only batteries of the same or equivalent type as recommended are to be used.
- Batteries are to be inserted with the correct polarity.
- Do not dispose of batteries in fire, batteries may explode or leak.
- Batteries may explode or leak if misused.

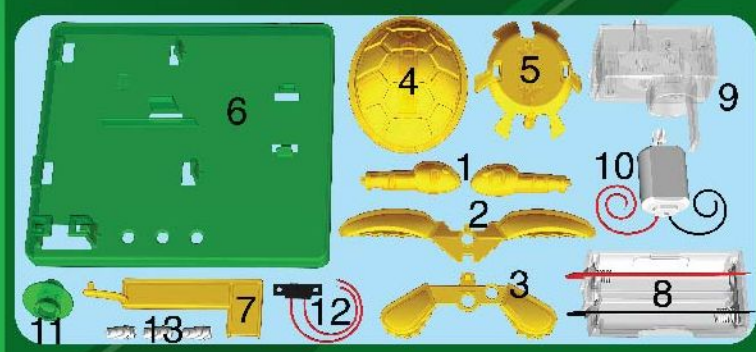
If at any time in the future you should need to dispose of this product please note that Waste electrical products should not be disposed of with household waste. Please recycle where facilities exist. Check with your Local Authority or retailer for recycling advice. (Waste Electrical and Electronic Equipment Directive)

1

Components

- | | |
|----------------------|-------------------------|
| 1. 2 Head parts | 8. 1 Battery holder |
| 2. 1 Fore flippers | 9. 1 Gearbox |
| 3. 1 Hind flippers | 10. 1 Motor |
| 4. 1 Top shell | 11. 1 Gearbox Cap |
| 5. 1 Bottom shell | 12. 1 Slide switch |
| 6. 1 Base plate | 13. 3 Spring Connectors |
| 7. 1 Right Angle Arm | |

• Batteries Required: 2 X AA (not included)



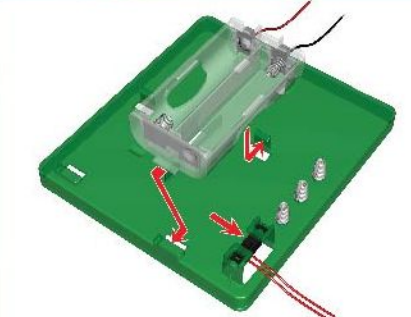
2

Assembling your Robotic Turtle

1. Insert the three Spring connectors (13), narrow end down, push them in as far as they will go, into the holes (1,2 & 3) of the base plate (6).



2. Install and lock the battery holder (8) and slide switch (12) in place as shown. Note the pin without wire is on the left. Slide the switch to the left. This is the "Off" position.




3

3. Combine the turtle head parts (1).



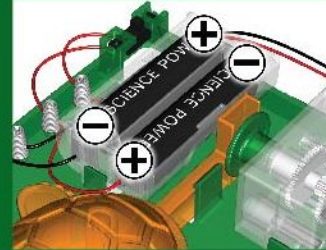
4. Connect the wires by bending the spring over to create a gap into which the metal wire is inserted:
Slide switch red wires - 12
Battery holder red wire - 2
Battery holder black wire - 3



4

Battery Installation

Insert 2 AA batteries according to the polarity as shown.



Did you know

- Sea turtle is large, air-breathing reptile that inhabits tropical and subtropical seas throughout the world.
- The leatherback is the largest of all living sea turtles. Mature leatherbacks reach about 1.2 to 1.9 m (3.9-6.2 ft) and 200 to 506 kg (441-116 lb.). The largest leatherback recorded 916 kg (2,019 lb.) in weight.
- Limbs are flippers adapted for swimming. Sea turtle is awkward and vulnerable on land.
- A sea turtle cannot retract its limbs or head under its shell as a land turtle can.
- The top side of the shell is called the carapace.
- The bottom side of the shell is called the plastron.
- Depending on species, the adult carapace ranges in shapes from oval to heart shape.
- Sea turtle can see well under water but is shortsighted in the air.
- Sea turtle nests on the beach. Most females return faithfully to the same beach each time they are ready to nest.
- Incubation takes about 60 days. Cooler sand has a tendency to produce more males, with warmer sand producing a higher ratio of females.
- All species of sea turtles are listed as threatened or endangered.
- Sea turtle enjoys immunity from the sting of the deadly box jellyfish and regularly eat them, helping keep tropical beaches safe for human.