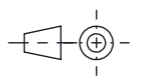
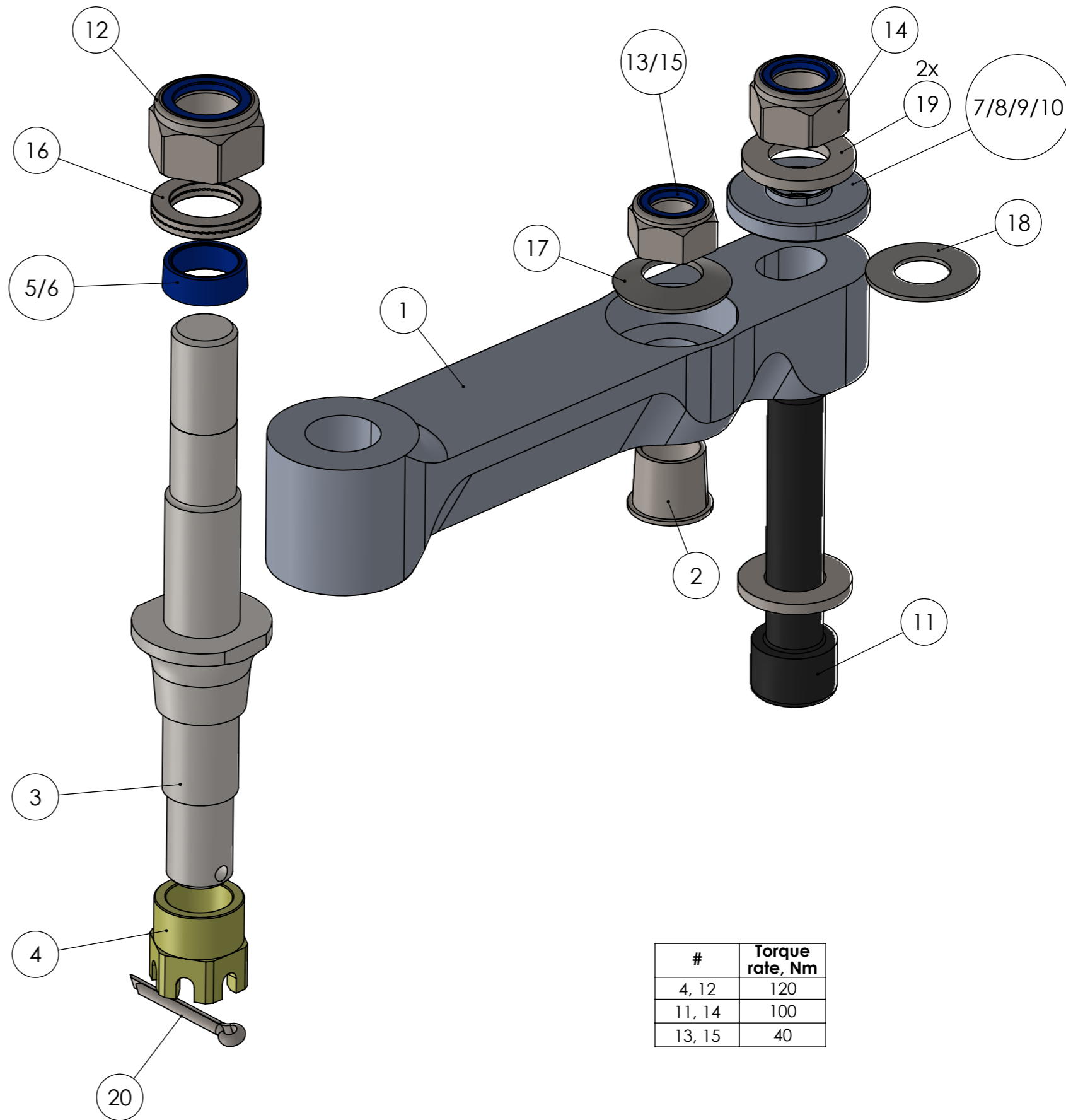
		General tolerance SFS-EN 2768-m		Description with Roll-center / bump steer / quick steering -kit	
		Welded structures EN-ISO 13920		Specification BMW E30 / E36 / E46	
Drawn By	ML	Date			Number <b>MRT-20003</b>
Approved By	NL	18/10/2021			Rev <b>A</b>
Type		Finish	Material	Mass	Scale 1:1 Sheet 1 / 2 A3



#	Torque rate, Nm
4, 12	120
11, 14	100
13, 15	40

#	PART NUMBER	DESCRIPTION	SPEC	QTY. per side
1	MRT-10003-1	Steering adapter		1
2	MRT-10003-2	Tie rod taper adapter	E30 / E36	1
3	MRT-10003-3	Control arm mounting stud		1
4	MRT-10003-4	Castle nut, M14x1.5		1
5	MRT-10003-5.1	Spindle nylon sleeve, 14mm, small taper	E30 / E36 / E46	1
6	MRT-10003-5.2	Spindle nylon sleeve, 14mm, big taper	E46 M3	1
7	MRT-10003-6.1	Spindle spacer, 4.5mm, small taper	E36 M3 3.0	1
8	MRT-10003-6.2	Spindle spacer, 7.5mm, small taper	E36 non-M	1
9	MRT-10003-6.3	Spindle spacer, 6mm, big taper	E46 non-M	1
10	MRT-10003-6.4	Spindle spacer, 7mm, big taper	E46 M3	1
11	DIN912 M12x60	bolt		1
12	DIN985 M14x1.5	nyloc nut		1
13	DIN985 M12x1.5	nyloc nut	E46	1
14	DIN985 M12	nyloc nut		1
15	DIN985 M10x1	nyloc nut	E30 / E36	1
16	73992DP 14	nordlock washer		1
17	DIN2093 12.2x25x1.2	spring washer		1
18	DIN988 12x24x1	shim washer	E36 M3 3.2	1
19	DIN125 M12	washer		2
20	DIN94 3.2x25	pin		1

		General tolerance SFS-EN 2768-m		Description with Roll-center / bump steer / quick steering -kit				
		Welded structures EN-ISO 13920		Specification BMW E30 / E36 / E46				
Drawn By	ML	Date	15/09/2021		Number	MRT-20003	Rev	A
Approved By	NL	Date	18/10/2021		Type	Material	Mass	Scale 1:1

This document must not be copied without our written permission, and the contents thereof must not be imparted to a third party nor be used for any unauthorized purpose. Contravention will be prosecuted.