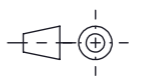
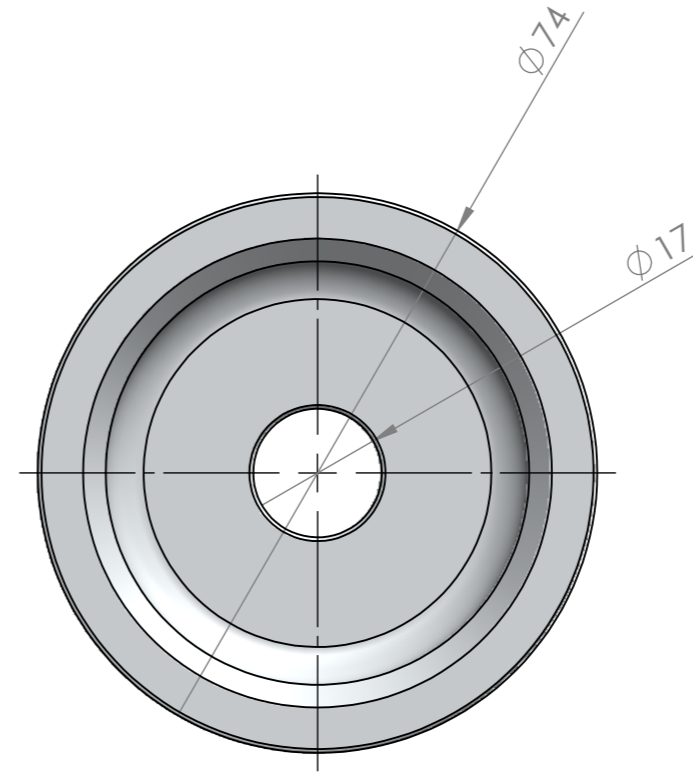
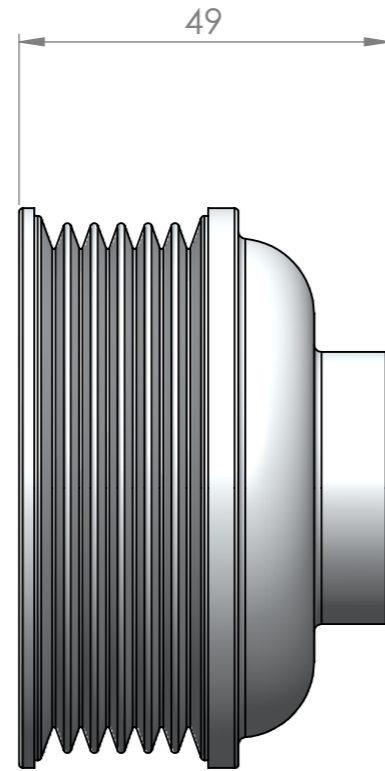

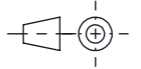
			General tolerance SFS-EN 2768-m Welded structures EN-ISO 13920		Description M5X underdrive alternator pulley	
					Specification Valeo -type	
	Name	Date		Number MRT-20014-2		Rev A
Drawn By	ML	09/08/2022				
Approved By						
Type			Finish	Material	Mass	Scale 1:1 Sheet 1 / 2 A3



		General tolerance SFS-EN 2768-m		Description M5X underdrive alternator pulley		
		Welded structures EN-ISO 13920		Specification Valeo -type		
Drawn By	Name ML	Date 09/08/2022		Number MRT-20014-2		Rev A
Approved By				Type	Material	Mass