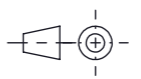
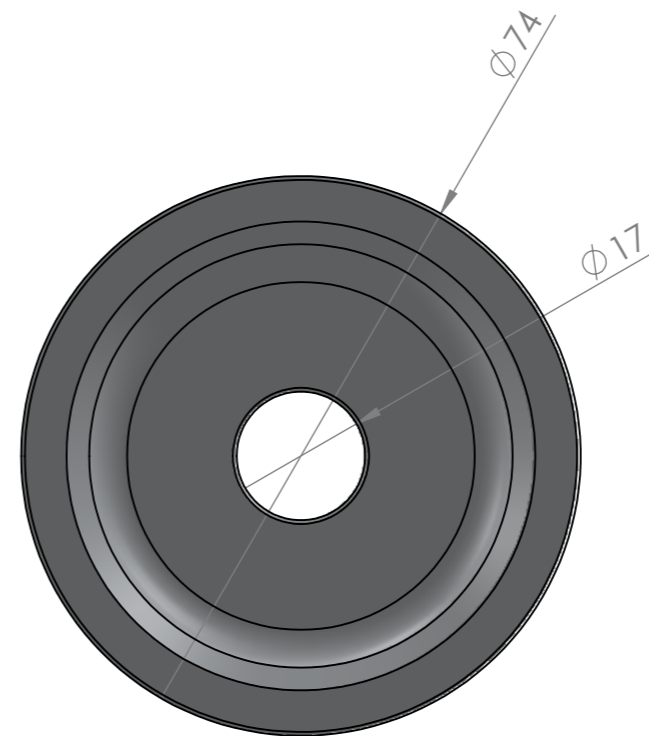
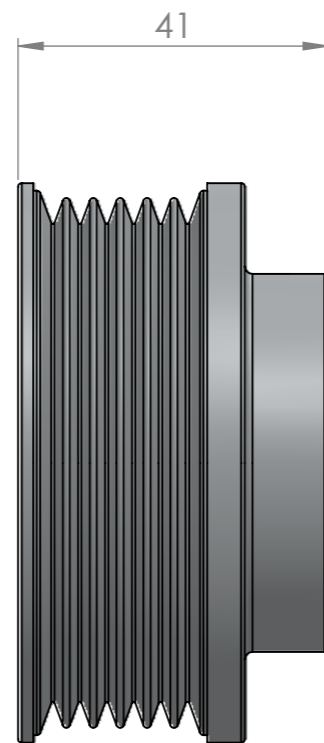

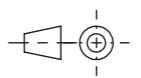
			General tolerance SFS-EN 2768-m Welded structures EN-ISO 13920		Description M5X underdrive alternator pulley	
					Specification Bosch -type	
	Name	Date		Number <b>MRT-20014-1</b>		Rev <b>A</b>
Drawn By	ML	09/10/2021				
Approved By	NL	18/10/2021				
Type			Finish	Material	Mass	Scale 1:1 Sheet 1 / 2 A3



			General tolerance SFS-EN 2768-m Welded structures EN-ISO 13920		Description M5X underdrive alternator pulley	
					Specification Bosch -type	
	Name	Date		Number MRT-20014-1		Rev A
Drawn By	ML	09/10/2021				
Approved By	NL	18/10/2021				
Type			Finish	Material	Mass	Scale 1:1 Sheet 2 / 2 A3