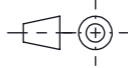
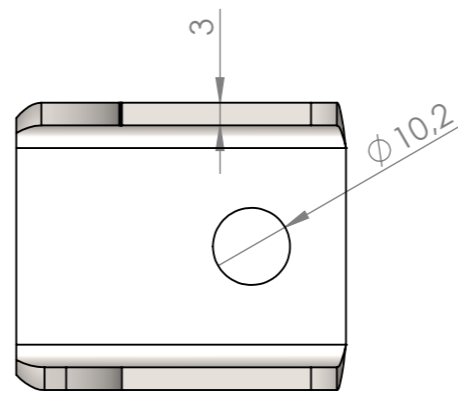
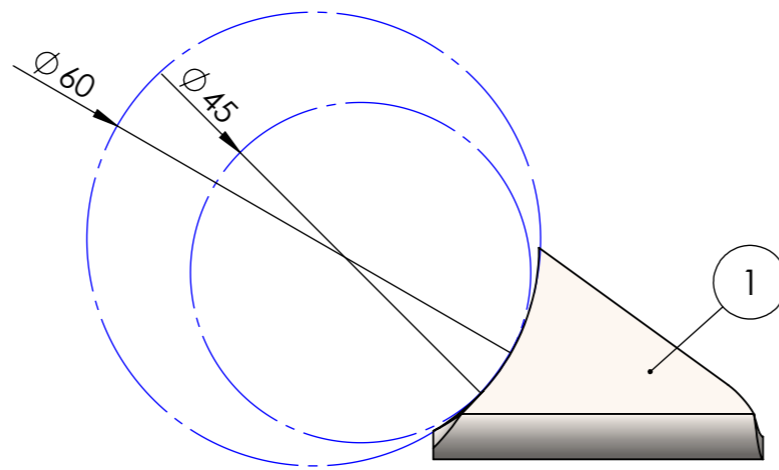

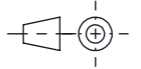
			General tolerance SFS-EN 2768-m		Description Sway bar weld bracket	
			Welded structures EN-ISO 13920		Specification E30 / E36	
	Name	Date		Number MRT-20012		Rev B
Drawn By	ML	08/04/2020				
Approved By	NL	18/10/2021				
Type			Finish	Material 1.0045 (S355JR)	Mass	Scale 2:1 Sheet 1 / 3 A3



	General tolerance SFS-EN 2768-m Welded structures EN-ISO 13920		Description Sway bar weld bracket		
			Specification E30 / E36		
Drawn By ML	Name ML	Date 08/04/2020		Number <b>MRT-20012</b>	Rev <b>B</b>
Approved By NL	Name NL	Date 18/10/2021		Type	Material 1.0045 (S355JR)
			Finish	Scale 1:1	Sheet 2 / 3 A3

#	PART NUMBER	DESCRIPTION	SPEC	QTY. per side
1	MRT-20012	Sway bar weld bracket	E30 / E36	1