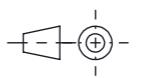
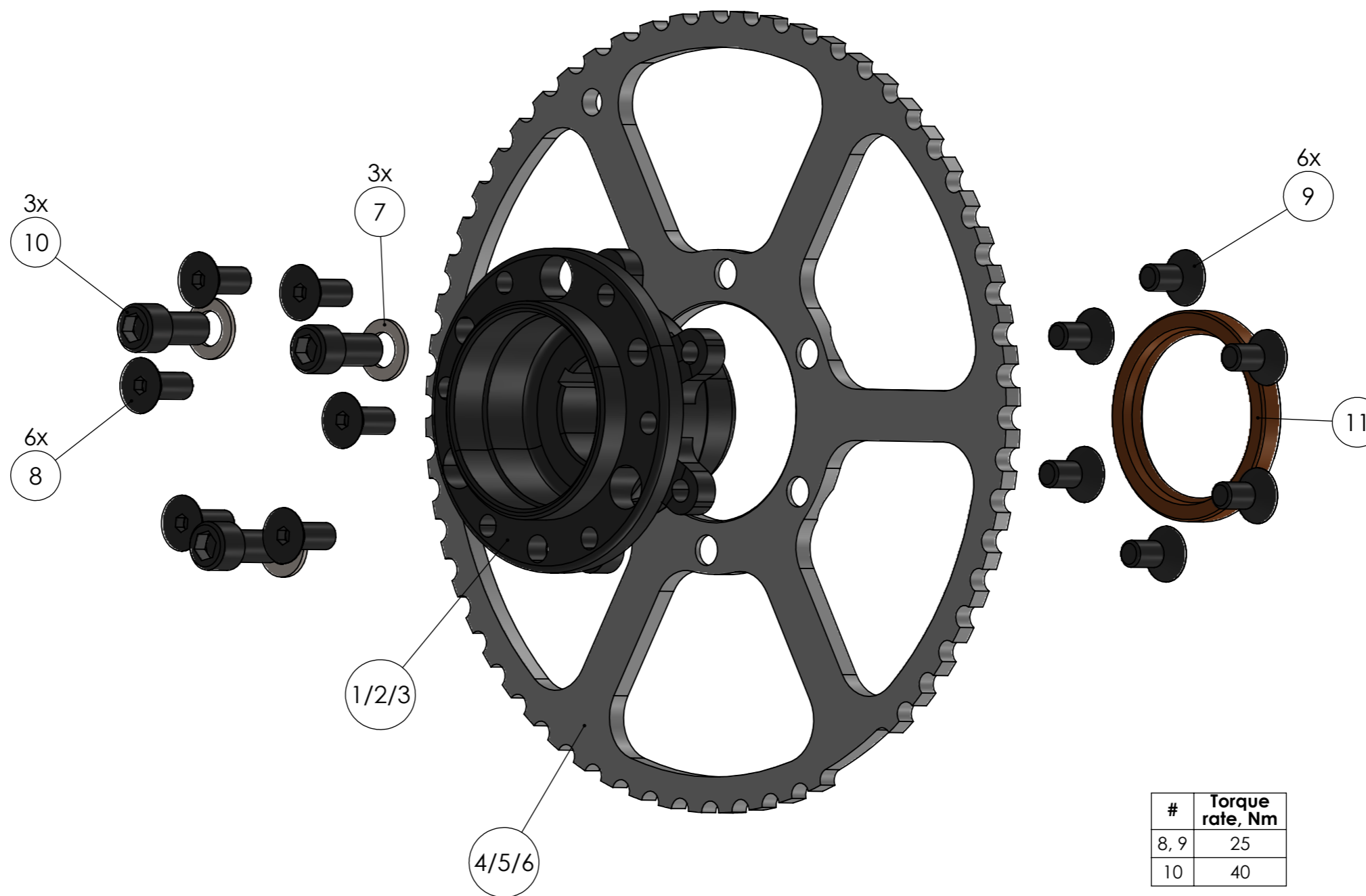
		General tolerance SFS-EN 2768-m		Description ATI super damper installation kit		
		Welded structures EN-ISO 13920		Specification BMW M5X / S5XUS / M30 / S38B36		
	Name	Date		Number <b>MRT-20010</b>		Rev <b>A</b>
Drawn By	ML	17/09/2021				
Approved By	NL	07/11/2021				
Type			Finish	Material	Mass	Scale 1:1.5 Sheet 1 / 2 A3



#	Torque rate, Nm
8, 9	25
10	40

Assemble all fasteners with Loctite

#	PART NUMBER	DESCRIPTION	SPEC	QTY.
1	MRT-10010-1.1	ATI super damper hub	M5X / S5XUS	1
2	MRT-10010-1.2	ATI super damper hub	M30	1
3	MRT-10010-1.3	ATI super damper hub	S38B36	1
4	MRT-10010-2.1	Trigger wheel	M5X / S5XUS	1
5	MRT-10010-2.2	Trigger wheel	M30	1
6	MRT-10010-2.3	Trigger wheel	S38B36	1
7	DIN433 M10	washer		3
8	DIN7991 5/16" UNC 3/4"	screw		6
9	DIN7991 5/16" UNC 5/8"	screw		6
10	DIN912 3/8" UNC 3/4"	screw		3
11	AS 48x62x8	oil seal	M30 / S38B36	1



Drawn By	ML	Date	17/09/2021
Approved By	NL	Date	07/11/2021
Type			

General tolerance  
SFS-EN 2768-m  
Welded structures  
EN-ISO 13920

Finish	
--------	--

Description		ATI super damper installation kit	
Specification		BMW M5X / S5XUS / M30 / S38B36	
Number		MRT-20010	
Rev		A	
Material	Mass	Scale 1:1.5	Sheet 2 / 2 A3