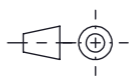
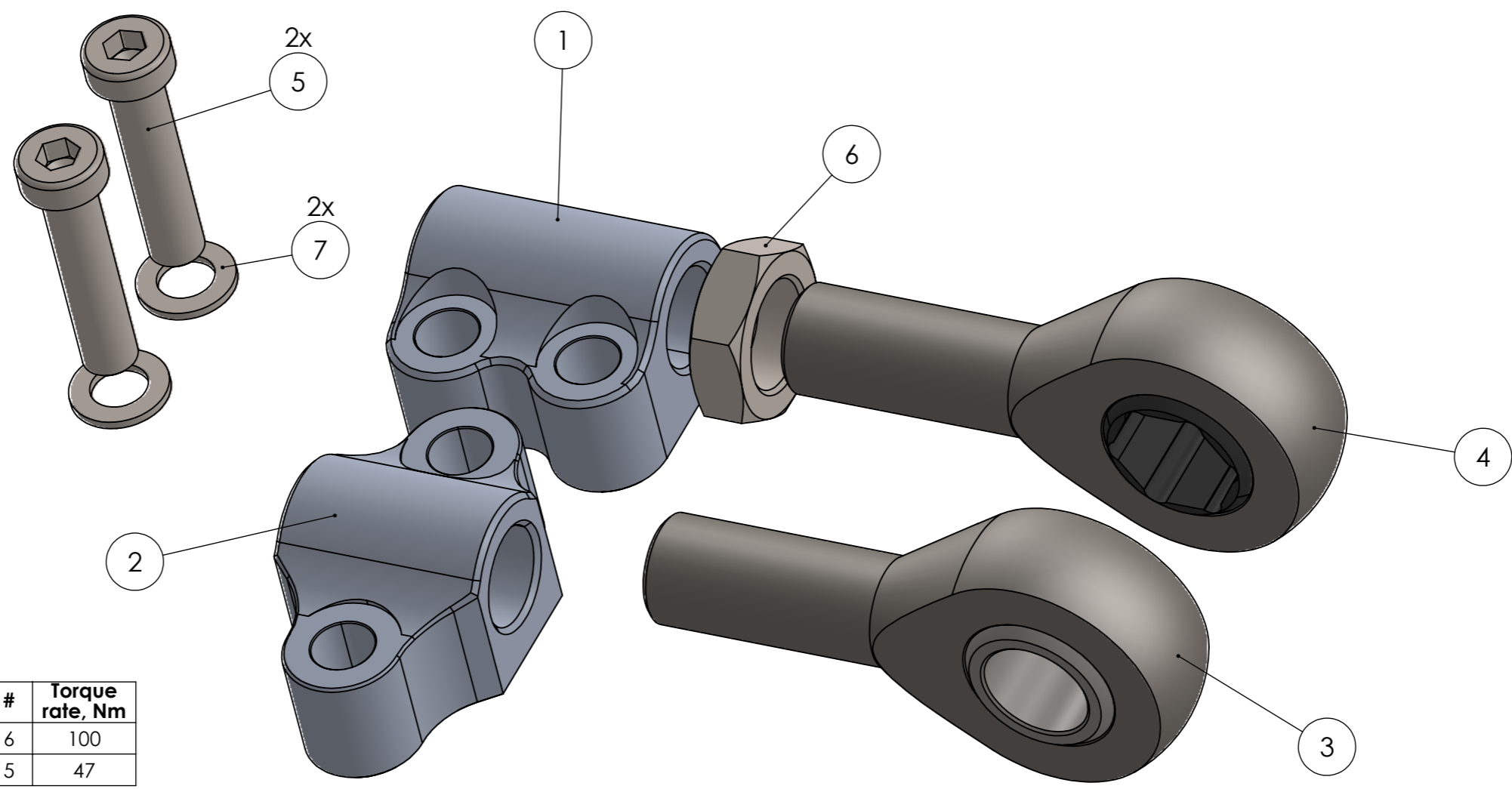
			General tolerance		Description	
			SFS-EN 2768-m		FCAB	
			Welded structures		Specification	
			EN-ISO 13920		BMW E30 / E36 / E46	
	Name	Date		Number		Rev
Drawn By	ML	17/09/2021		MRT-20009		A
Approved By	NL	18/10/2021				
Type			Finish	Material	Mass	Scale 1:1 Sheet 1 / 2 A3



#	Torque rate, Nm
6	100
5	47

#	PART NUMBER	DESCRIPTION	SPEC	QTY. per side
1	MRT-10009-1.1	Mounting block	E30 / E36	1
2	MRT-10009-1.2	Mounting block	E46	1
3	XM20x1.5	rod end	E30 / E36 LCA	1
4	XM20x1.5 HEX	rod end	E46 non-M LCA	1
5	DIN7984 M10x45	screw		2
6	DIN936 M20x1.5	half nut		1
7	DIN433 M10	washer		2

	General tolerance SFS-EN 2768-m Welded structures EN-ISO 13920	Description FCAB							
		Specification BMW E30 / E36 / E46							
<table border="1"> <tr> <th>Name</th> <th>Date</th> </tr> <tr> <td>ML</td> <td>17/09/2021</td> </tr> <tr> <td>NL</td> <td>18/10/2021</td> </tr> </table>	Name	Date	ML	17/09/2021	NL	18/10/2021		Number MRT-20009	Rev A
Name	Date								
ML	17/09/2021								
NL	18/10/2021								
Type	Finish	Material	Mass						
		Scale 1:1	Sheet 2 / 2 A3						

This document must not be copied without our written permission, and the contents thereof must not be imparted to a third party nor be used for any unauthorized purpose. Contravention will be prosecuted.