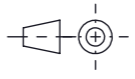
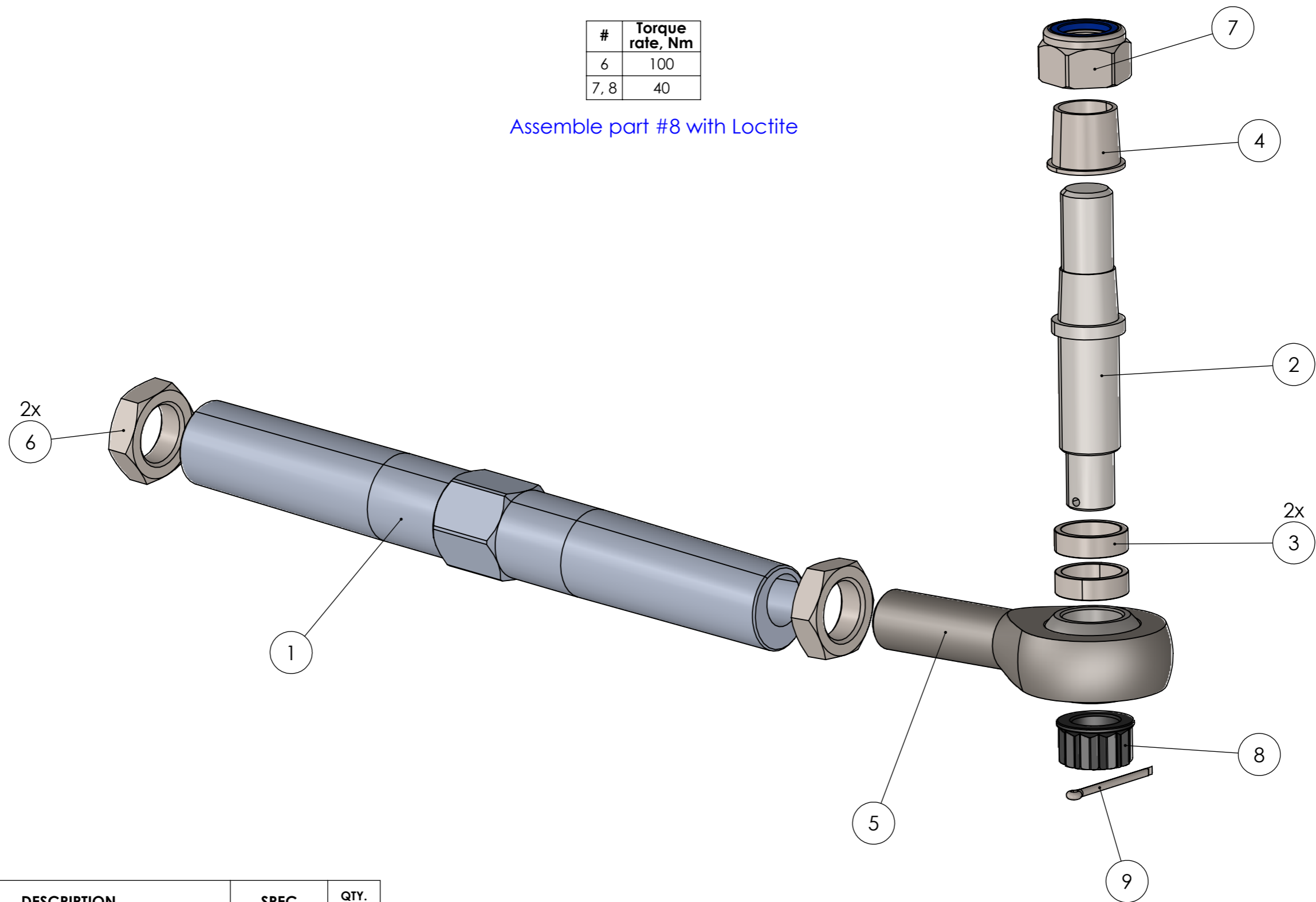
			General tolerance SFS-EN 2768-m Welded structures EN-ISO 13920		Description Bump steer adjustable tie rod kit	
					Specification BMW E30 / E36 / E46	
	Name	Date		Number MRT-20006-1		Rev A
Drawn By	ML	19/09/2021				
Approved By	NL	18/10/2021				
Type			Finish	Material	Mass	Scale 1:1 Sheet 1 / 2 A3

This document must not be copied without our written permission, and the contents thereof must not be imparted to a third party nor be used for any unauthorized purpose. Contravention will be prosecuted.

#	Torque rate, Nm
6	100
7, 8	40

Assemble part #8 with Loctite



#	PART NUMBER	DESCRIPTION	SPEC	QTY. per side
1	MRT-10006-1	Tie rod extension		1
2	MRT-10006-2	Tie rod mounting stud		1
3	MRT-10006-3	Bump steer shim, 5mm		2
4	MRT-10003-2	Tie rod taper adapter	<i>E46 spindles</i>	1
5	XM14x1.5	rod end		1
6	DIN936 M14x1.5	half nut		2
7	DIN985 M12x1.5	nyloc nut		1
8	ARP 5/16"-24	low head 12-pt nut		1
9	DIN94 2x25	pin		1

MRT
Engineering

Drawn By	ML	Date	19/09/2021
Approved By	NL	Date	18/10/2021
Type		Finish	

General tolerance	SFS-EN 2768-m	Description	Bump steer adjustable tie rod kit	
Welded structures	EN-ISO 13920		Specification	BMW E30 / E36 / E46
Number		MRT-20006-1	Rev	
Material			A	
Scale	1:1	Sheet	2 / 2 A3	