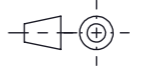
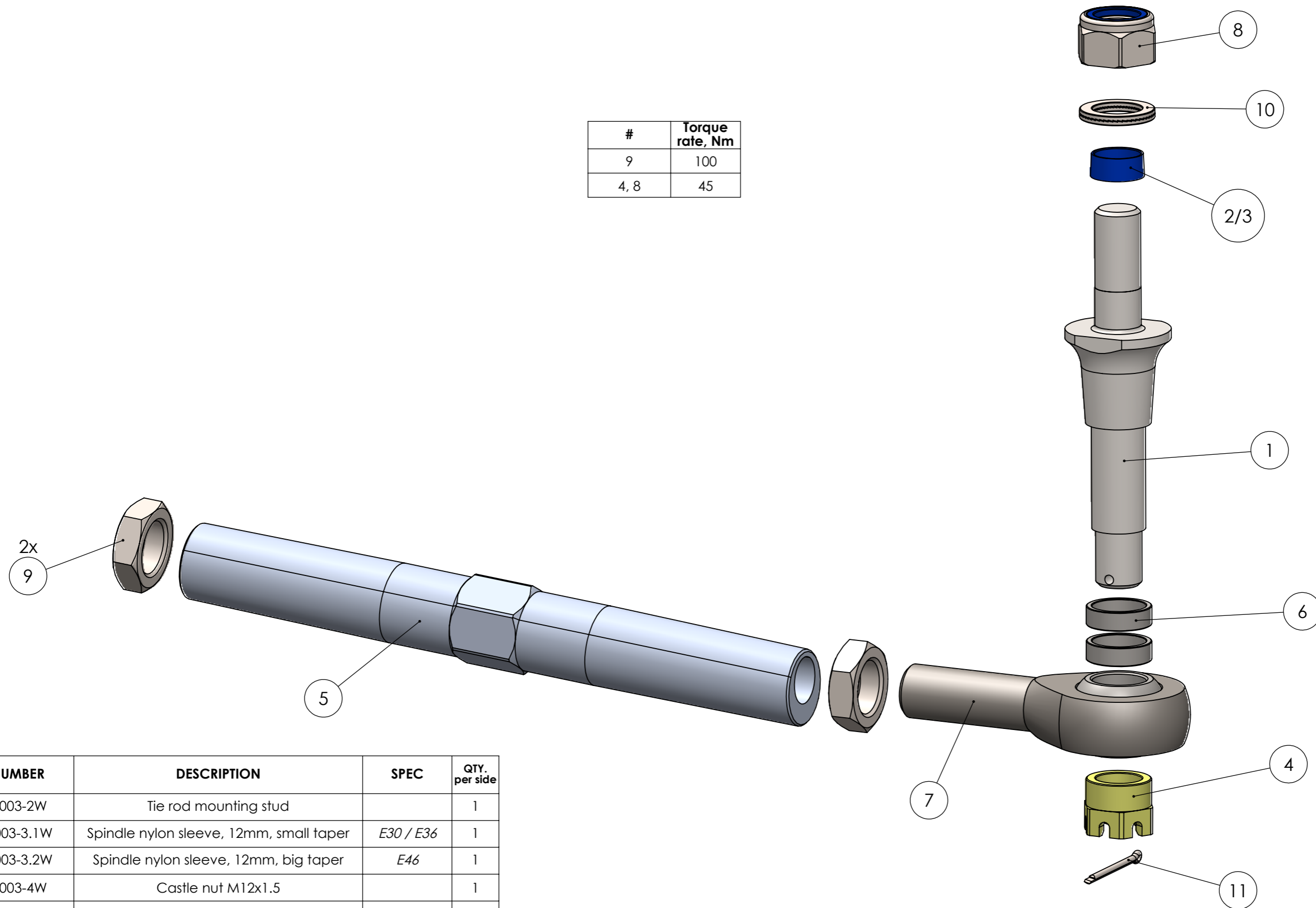
		General tolerance SFS-EN 2768-m		Description Bump steer adjustable tie rod -kit		
		Welded structures EN-ISO 13920		Specification BMW E30 / E36 / E46, 20mm correction		
Drawn By	Name ML	Date 02/04/2023		Number MRT-20006-1 W		Rev A
Approved By				Type	Material	Mass

#	Torque rate, Nm
9	100
4, 8	45



#	PART NUMBER	DESCRIPTION	SPEC	QTY. per side
1	MRT-10003-2W	Tie rod mounting stud		1
2	MRT-10003-3.1W	Spindle nylon sleeve, 12mm, small taper	E30 / E36	1
3	MRT-10003-3.2W	Spindle nylon sleeve, 12mm, big taper	E46	1
4	MRT-10003-4W	Castle nut M12x1.5		1
5	MRT-10006-1	Tie rod extension		1
6	MRT-10006-3	Bump steer shim, 5mm		2
7	XM14x1.5	rod end		1
8	DIN985 M12x1.5	nyloc nut		1
9	DIN936 M14x1.5	half nut		2
10	74992DP 12	nordlock washer		1
11	DIN94 2x25	pin		1

		General tolerance SFS-EN 2768-m Welded structures EN-ISO 13920	Description Bump steer adjustable tie rod -kit	
			Specification BMW E30 / E36 / E46, 20mm correction	
Drawn By ML	Date 02/04/2023		Number <b>MRT-20006-1 W</b>	
Approved By			Rev <b>A</b>	
Type	Finish	Material	Mass	Scale 1:2
			Sheet 2 / 2	A3

This document must not be copied without our written permission, and the contents thereof must not be imparted to a third party nor be used for any unauthorized purpose. Contravention will be prosecuted.