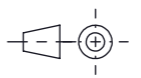
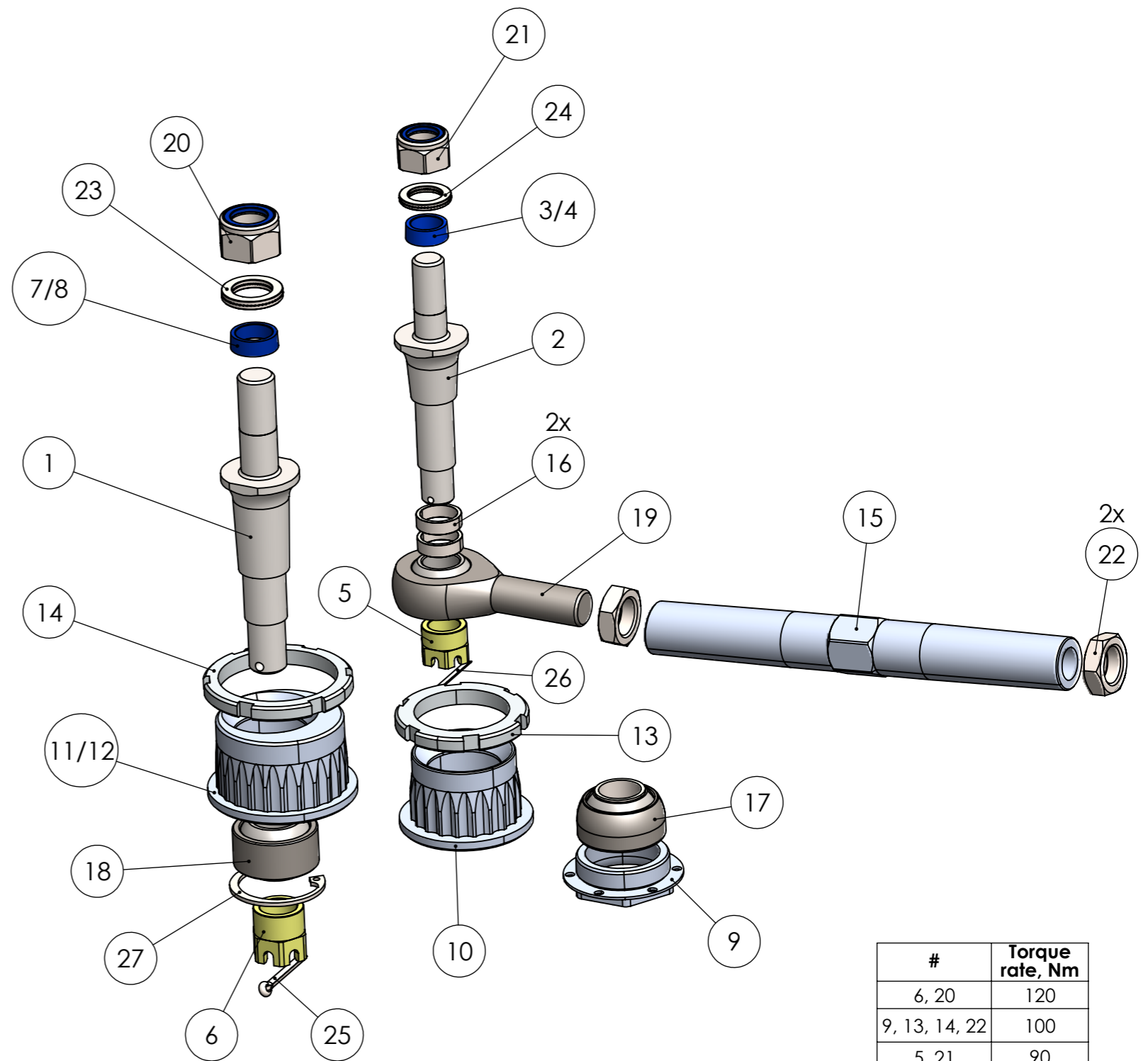
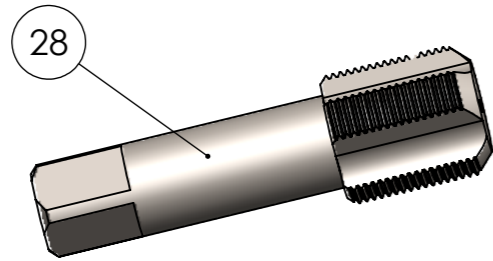
			General tolerance SFS-EN 2768-m Welded structures EN-ISO 13920		Description Roll-center / bump steer correction -kit			
					Specification E30 / E36 / E46			
Drawn By ML		Date 11/10/2021			Number MRT-20003-W		Rev A	
Approved By NL		Date 25/10/2021			Type	Finish	Material	Mass

This document must not be copied without our written permission, and the contents thereof must not be imparted to a third party nor be used for any unauthorized purpose. Contravention will be prosecuted.



#	Torque rate, Nm
6, 20	120
9, 13, 14, 22	100
5, 21	90

Use Loctite on part #9, #17 and #18

#	PART NUMBER	DESCRIPTION	SPEC	QTY. per side
1	MRT-10003-1W	Control arm mounting stud		1
2	MRT-10003-2W	Tie rod mounting stud		1
3	MRT-10003-3.1W	Spindle nylon sleeve, 12mm, small taper	E30 / E36	1
4	MRT-10003-3.2W	Spindle nylon sleeve, 12mm, big taper	E46	1
5	MRT-10003-4W	Castle nut M12x1.5		1
6	MRT-10003-4	Castle nut, M14x1.5		1
7	MRT-10003-5.1	Spindle nylon sleeve, 14mm, small taper	E30 / E36 / E46	1
8	MRT-10003-5.2	Spindle nylon sleeve, 14mm, big taper	E46 M3	1
9	MRT-10003-7	Bearing retainer, M35x1.5	E46 M3	1
10	MRT-10003-8.1	Bearing cup, 41mm	E30 / E36 M3 LCA	1
11	MRT-10003-8.3	Bearing cup, 48.5mm	E36 non-M / E46 aftermarket LCA	1
12	MRT-10003-8.3	Bearing cup, 50mm	E46 OEM LCA	1
13	MRT-10003-9.1	Bearing cup nut, M39x1.5	41mm bearing cup	1
14	MRT-10003-9.2	Bearing cup nut, M48x1.5	48.5 / 50mm bearing cup	1
15	MRT-10006-1	Tie rod extension		1
16	MRT-10006-3	Bump steer shim, 5mm		2
17	GE18MRT	spherical bearing 33mm	E46 M3	1
18	GEBJ16C	spherical bearing		1
19	XM14x1.5	rod end		1
20	DIN985 M14x1.5	nyloc nut		1
21	DIN985 M12x1.5	nyloc nut		1
22	DIN936 M14x1.5	half nut		2
23	74992DP 14	nordlock washer		1
24	74992DP 12	nordlock washer		1
25	DIN94 3.2x25	pin		1
26	DIN94 2x25	pin		1
27	DIN472 34x1.5	circlip		1
28	DIN2181 M35x1.5	thread tap	E46 M3	1

		General tolerance SFS-EN 2768-m		Description Roll-center / bump steer correction -kit													
		Welded structures EN-ISO 13920		Specification E30 / E36 / E46													
<table border="1"> <tr> <td>Name</td> <td>ML</td> <td>Date</td> <td>11/10/2021</td> </tr> <tr> <td>Approved By</td> <td>NL</td> <td>Date</td> <td>25/10/2021</td> </tr> <tr> <td>Type</td> <td></td> <td></td> <td></td> </tr> </table>		Name	ML	Date	11/10/2021	Approved By	NL	Date	25/10/2021	Type						Number MRT-20003-W	
Name	ML	Date	11/10/2021														
Approved By	NL	Date	25/10/2021														
Type																	
		Finish		Rev A													
		Material		Scale 1:2													
		Mass		Sheet 2 / 2 A3													