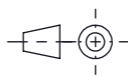
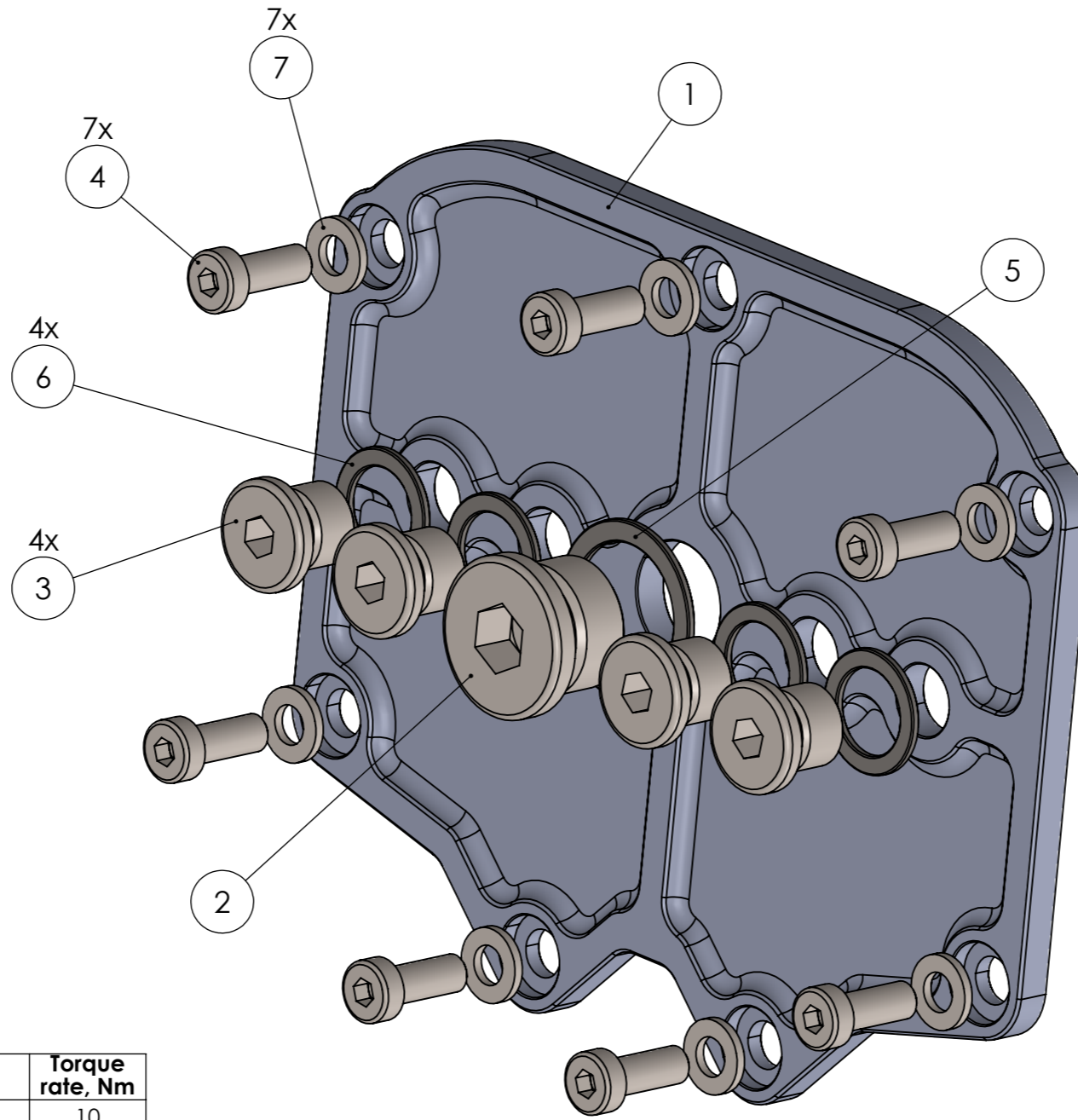
			General tolerance SFS-EN 2768-m		Description PCV CCV cover	
			Welded structures EN-ISO 13920		Specification BMW M60 / M62 / M62TU	
	Name	Date		Number MRT-20002		Rev A
Drawn By	ML	08/10/2021				
Approved By	NL	18/10/2021				
Type			Finish	Material	Mass	Scale 1:1 Sheet 1 / 2 A3



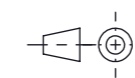
#	Torque rate, Nm
4	10

#	PART NUMBER	DESCRIPTION	SPEC	QTY.
1	MRT-10002-1	Aluminum cover		1
2	DIN908 G1/2"	plug		1
3	DIN908 G1/4"	plug		4
4	DIN7984 M6x16	screw		7
5	DIN7603 22x29x1.5	gasket		1
6	DIN7603 14x20x1.5	gasket		4
7	DIN125 M6	washer		7



Drawn By	ML	Date	08/10/2021
Approved By	NL	Date	18/10/2021
Type			

General tolerance
SFS-EN 2768-m
Welded structures
EN-ISO 13920



Finish

Description
PCV CCV cover

Specification
BMW M60 / M62 / M62TU

Number
MRT-20002

Material

Mass

Scale 1:1

Rev
A

Sheet 2 / 2 A3