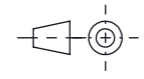
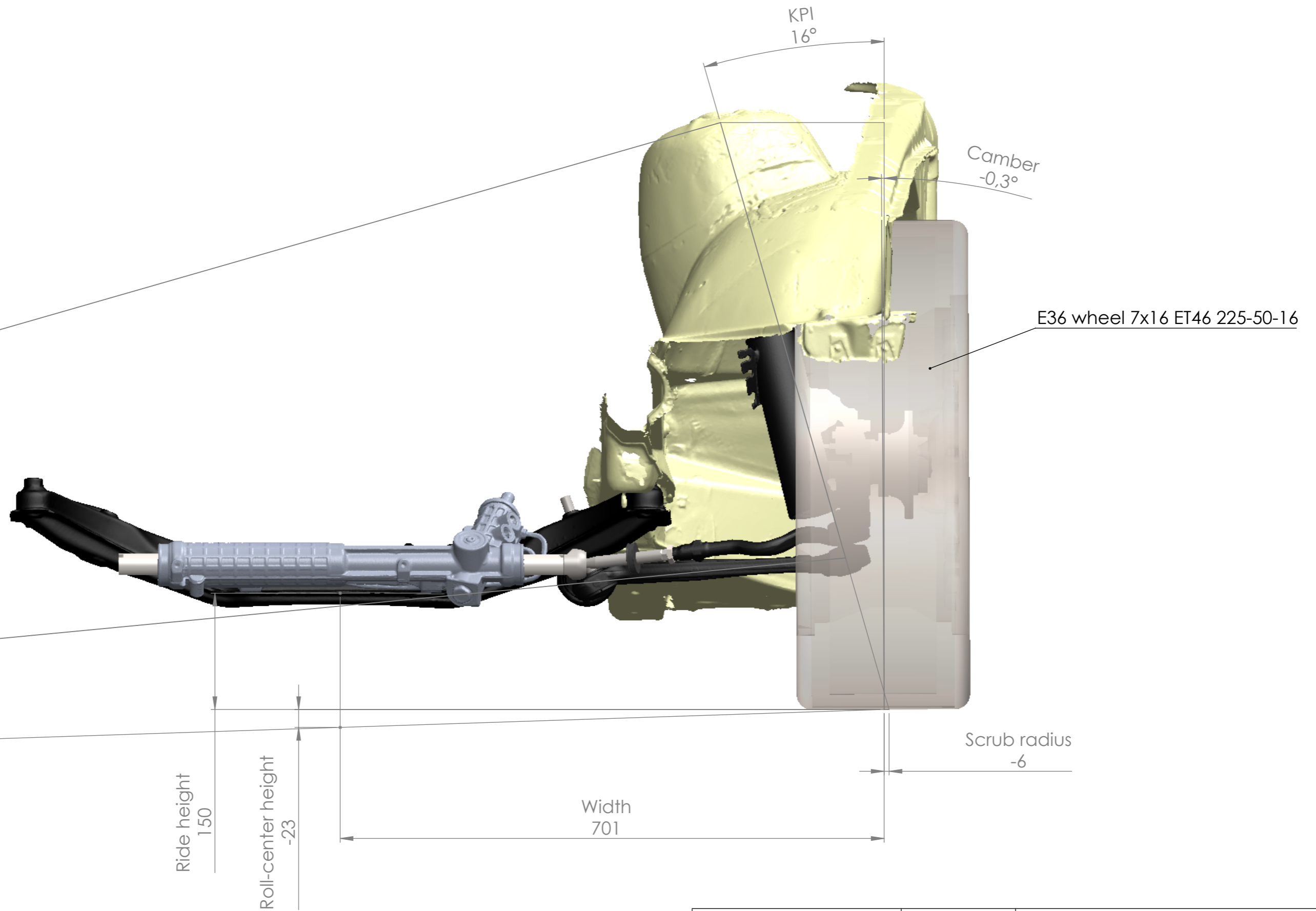

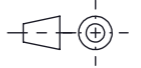
		General tolerance SFS-EN 2768-m		Description																			
		Welded structures EN-ISO 13920		Front suspension geometry																			
<table border="1"> <tr> <td>Drawn By</td> <td>ML</td> <td>Date</td> <td>22/07/2023</td> </tr> <tr> <td>Approved By</td> <td></td> <td></td> <td></td> </tr> <tr> <td>Type</td> <td></td> <td></td> <td></td> </tr> </table>		Drawn By	ML	Date	22/07/2023	Approved By				Type				<table border="1"> <tr> <td>Specification</td> <td>E36 non-M with eccentric FCAB and M3 3.0 top mount</td> </tr> <tr> <td>Number</td> <td></td> </tr> <tr> <td>Material</td> <td></td> </tr> </table>		Specification	E36 non-M with eccentric FCAB and M3 3.0 top mount	Number		Material		Rev	
Drawn By	ML	Date	22/07/2023																				
Approved By																							
Type																							
Specification	E36 non-M with eccentric FCAB and M3 3.0 top mount																						
Number																							
Material																							
				Scale 1:5																			
				Sheet 1 / 2 A3																			

This document must not be copied without our written permission, and the contents thereof must not be imparted to a third party nor be used for any unauthorized purpose. Contravention will be prosecuted.



		General tolerance		Description	
		SFS-EN 2768-m		Front suspension geometry	
		Welded structures		Specification	
		EN-ISO 13920		E36 non-M with eccentric FCAB and M3 3.0 top mount	
				Number	
Drawn By ML Approved By Type				Date 22/07/2023 Rev	
		Finish		Scale 1:5	
		Material		Sheet 2 / 2 A3	