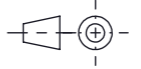
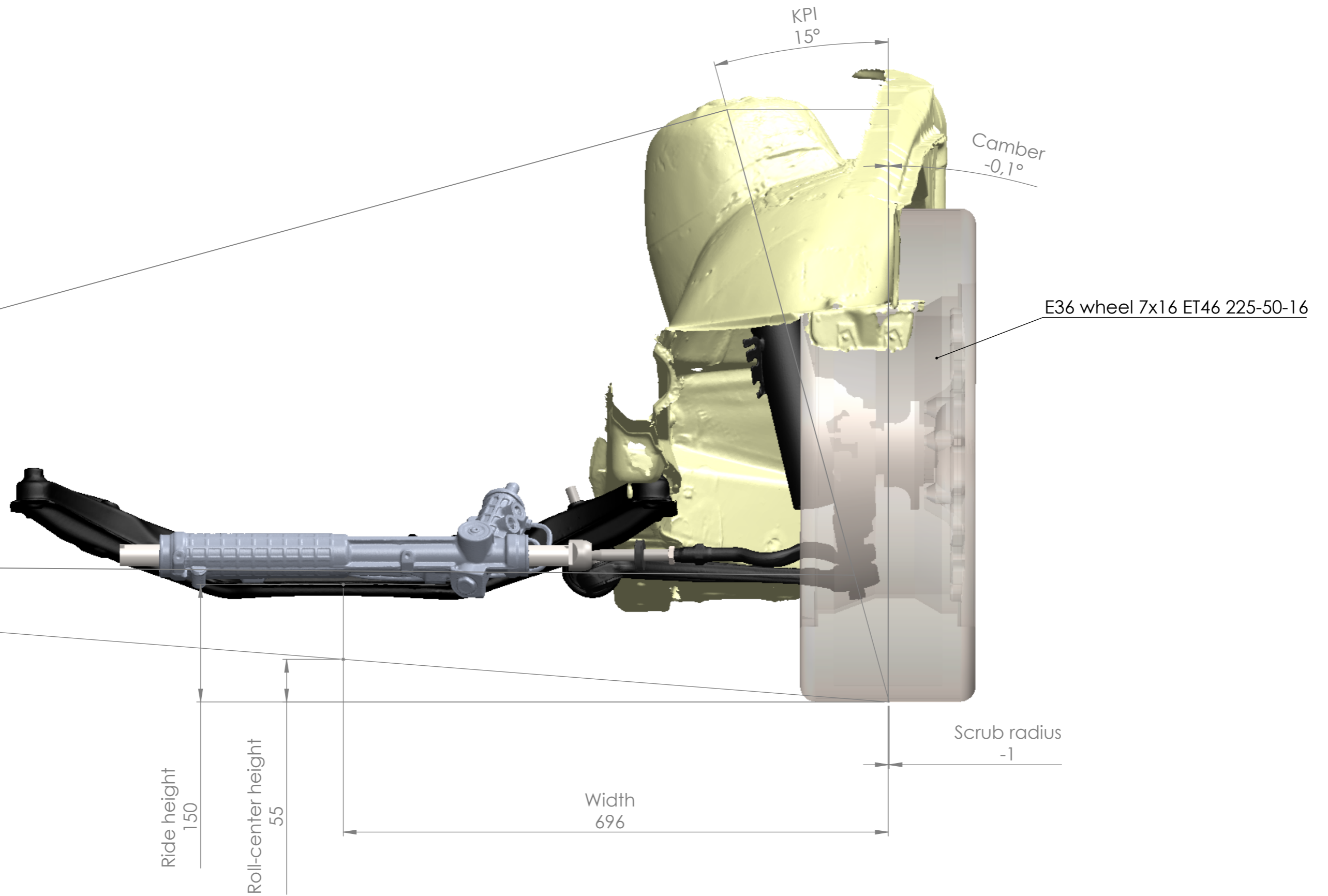

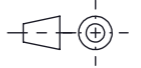
		General tolerance SFS-EN 2768-m		Description Front suspension geometry	
		Welded structures EN-ISO 13920		Specification E36 non-M with MRT-20003-2 and eccentric FCAB and M3 3.0 top mount	
Drawn By	Name ML	Date 22/07/2023			Number
Approved By					Rev
Type			Finish	Material	Scale 1:5 Sheet 1 / 2 A3



		General tolerance		Description		
		SFS-EN 2768-m		Front suspension geometry		
		Welded structures		Specification		
		EN-ISO 13920		E36 non-M with MRT-20003-2 and eccentric FCAB and M3 3.0 top mount		
				Number		
				Rev		
Drawn By	Name	Date				
ML		22/07/2023				
Approved By						
Type			Finish	Material	Scale 1:5	Sheet 2 / 2 A3