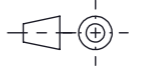
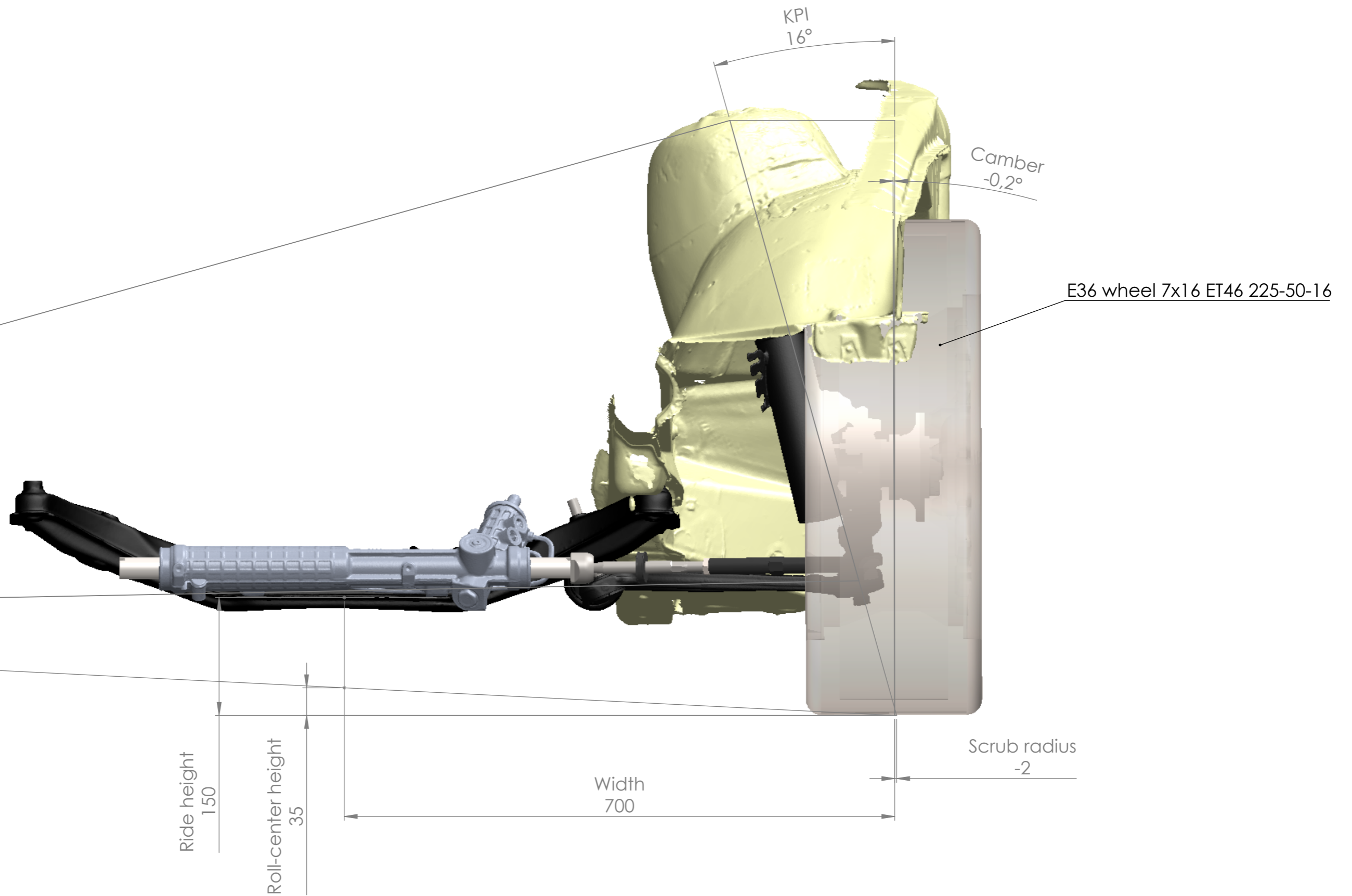

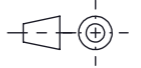
		General tolerance SFS-EN 2768-m		Description Front suspension geometry	
		Welded structures EN-ISO 13920		Specification E36 non-M with MRT-20003-2W	
Drawn By	Name ML	Date 23/07/2023		Number	
Approved By				Rev	
Type			Finish	Material	Scale 1:5
					Sheet 1 / 2 A3

This document must not be copied without our written permission, and the contents thereof must not be imparted to a third party nor be used for any unauthorized purpose. Contravention will be prosecuted.



		General tolerance SFS-EN 2768-m Welded structures EN-ISO 13920		Description Front suspension geometry	
				Specification E36 non-M with MRT-20003-2W	
Drawn By ML	Name ML	Date 23/07/2023		Number	
Approved By				Rev	
Type		Finish		Material	Scale 1:5 Sheet 2 / 2 A3