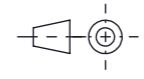
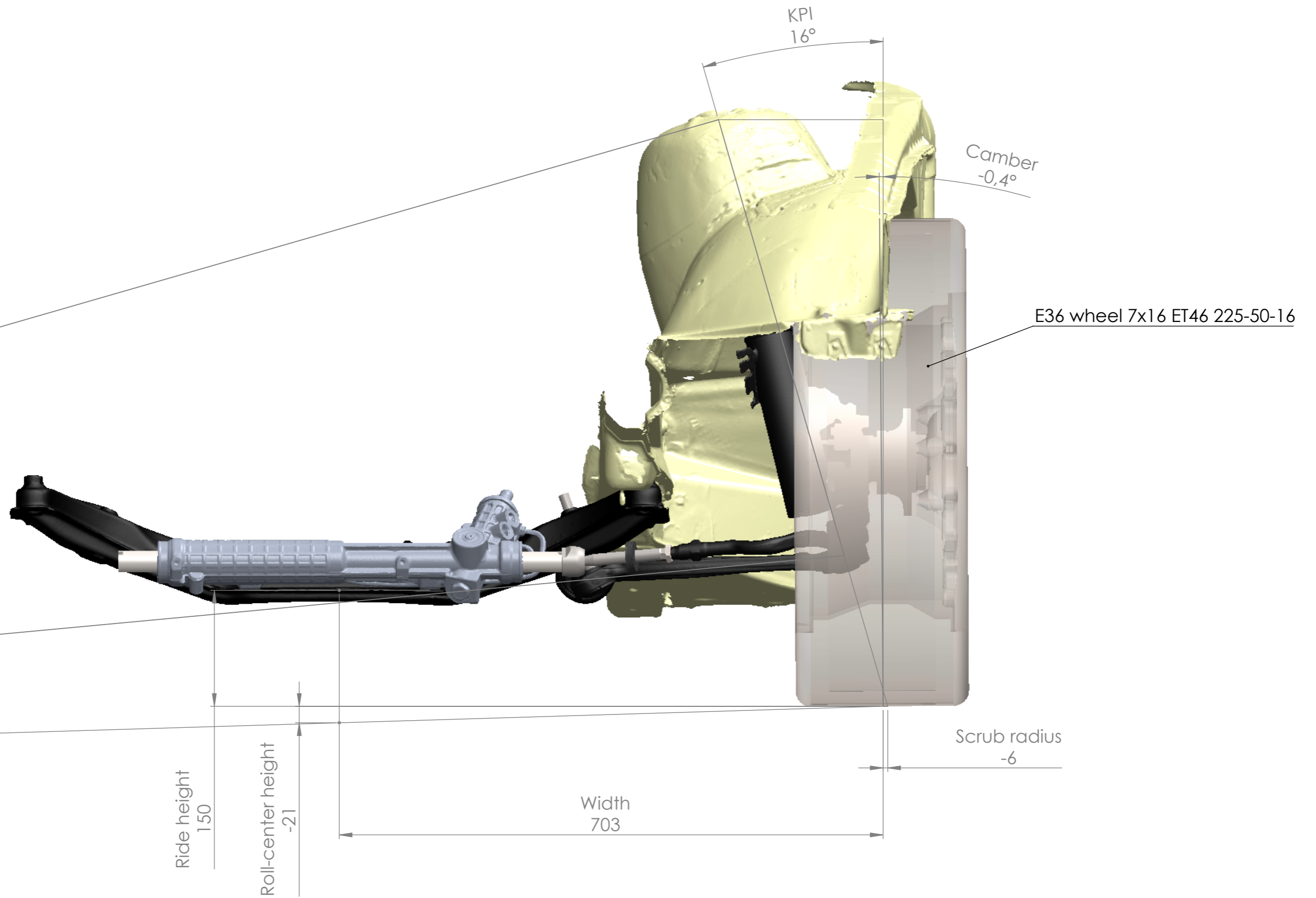

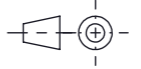
		General tolerance		Description	
		SFS-EN 2768-m		Front suspension geometry	
		Welded structures		Specification	
		EN-ISO 13920		E36 non-M	
Drawn By	Name	Date		Number	Rev
Approved By	ML	22/07/2023			
Type			Finish	Material	Scale 1:5
					Sheet 1 / 2 A3

This document must not be copied without our written permission, and the contents thereof must not be imparted to a third party nor be used for any unauthorized purpose. Contravention will be prosecuted.



		General tolerance		Description		
		SFS-EN 2768-m		Front suspension geometry		
		Welded structures		Specification		
		EN-ISO 13920		E36 non-M		
					Number	Rev
Drawn By	Name				Date	
Approved By	ML	22/07/2023				
Type			Finish	Material	Scale 1:5	Sheet 2 / 2 A3