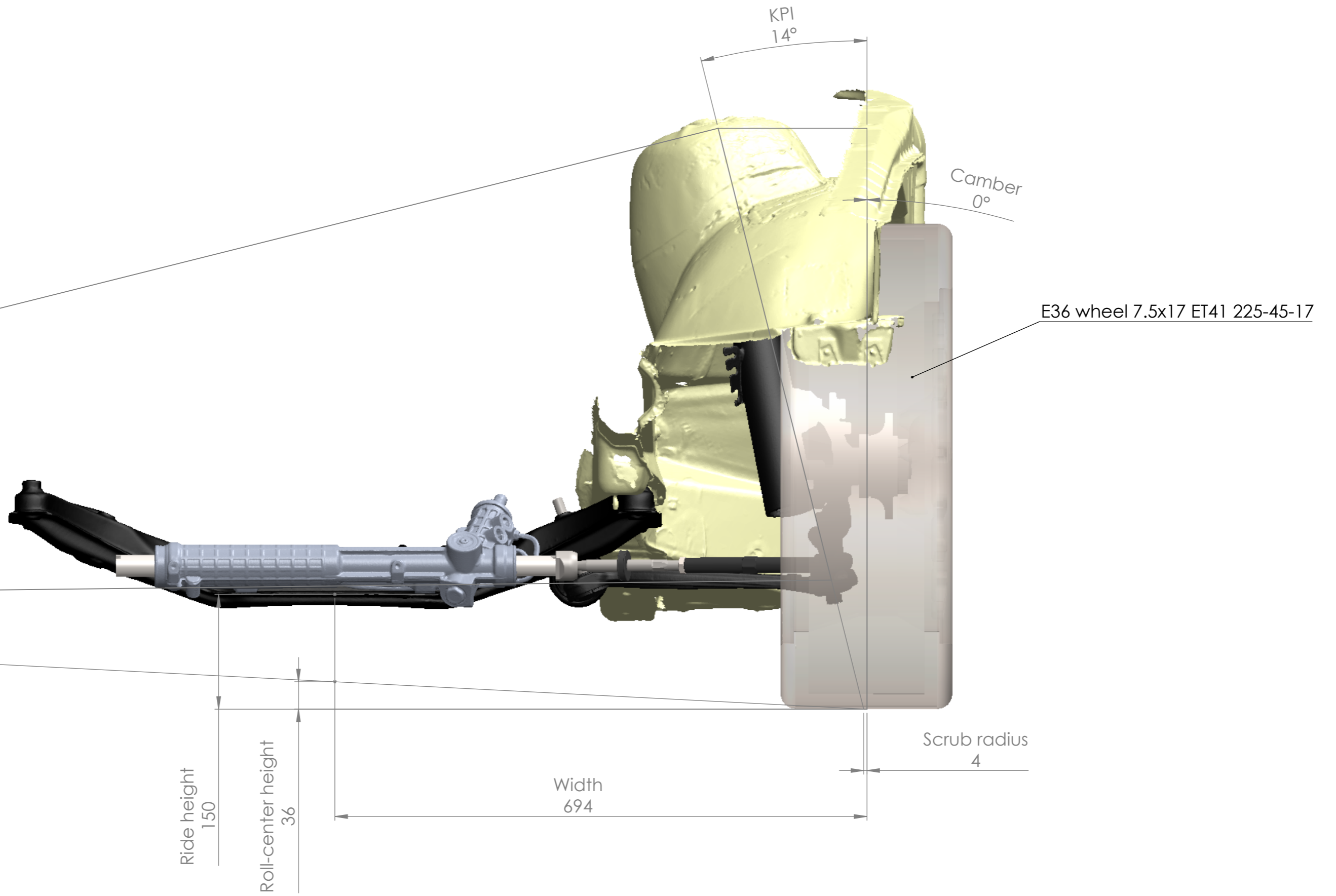

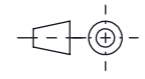
		General tolerance		Description	
		SFS-EN 2768-m		Front suspension geometry	
		Welded structures		Specification	
		EN-ISO 13920		E36 M3 3.2 with MRT-20003-1W	
Name		Date		Number	
Drawn By		24/07/2023		Rev	
Approved By					
Type		Finish		Material	
				Scale 1:5	
				Sheet 1 / 2 A3	

This document must not be copied without our written permission, and the contents thereof must not be imparted to a third party nor be used for any unauthorized purpose. Contravention will be prosecuted.



		General tolerance		Description	
		SFS-EN 2768-m		Front suspension geometry	
		Welded structures		Specification	
		EN-ISO 13920		E36 M3 3.2 with MRT-20003-1W	
				Number	
				Rev	
Drawn By	Name	Date			
ML		24/07/2023			
Approved By					
Type			Finish	Material	Scale 1:5 Sheet 2 / 2 A3

This document must not be copied without our written permission, and the contents thereof must not be imparted to a third party nor be used for any unauthorized purpose. contravention will be prosecuted.