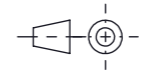
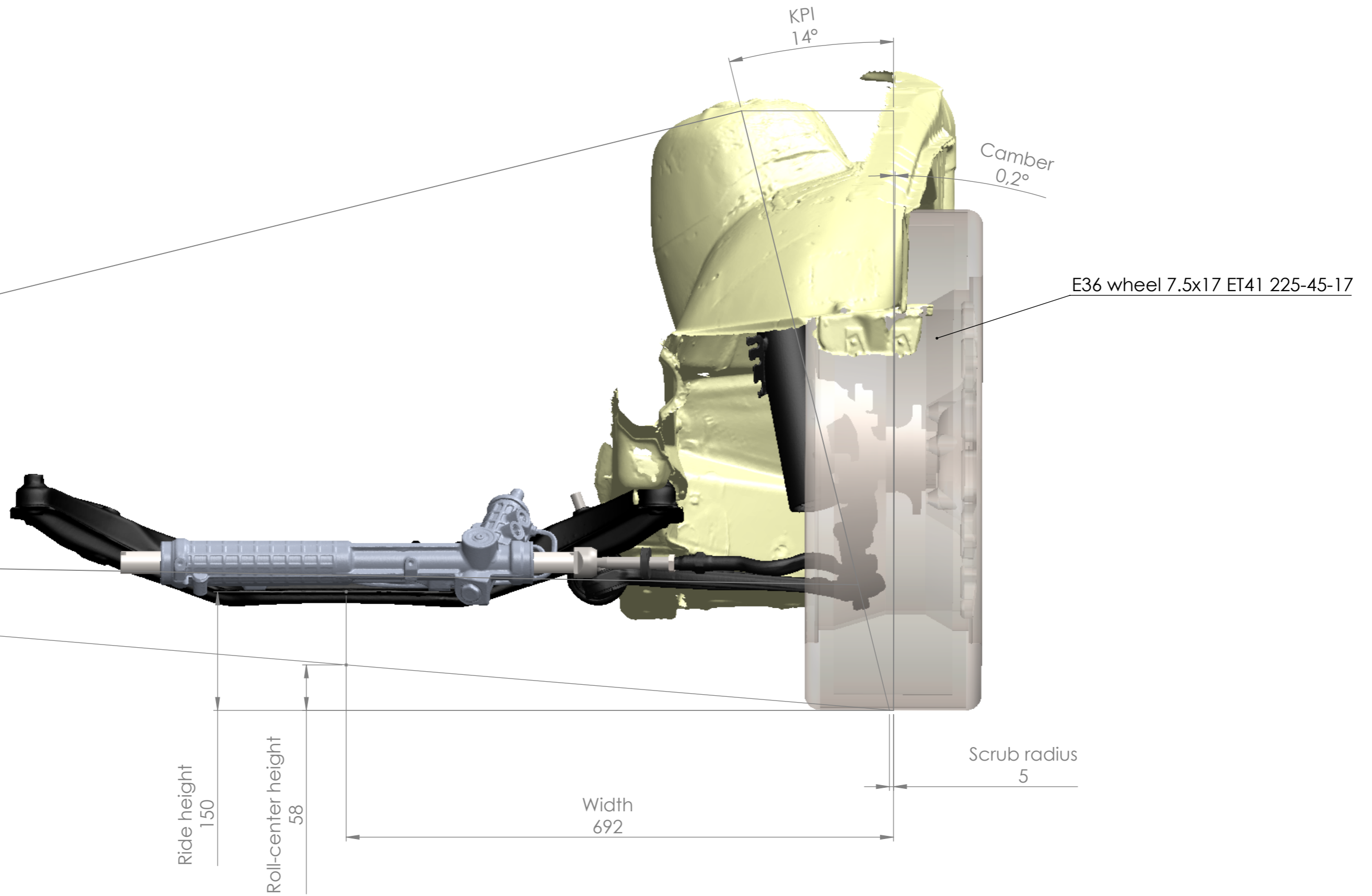

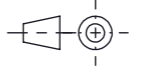
		General tolerance SFS-EN 2768-m		Description Front suspension geometry	
		Welded structures EN-ISO 13920		Specification E36 M3 3.2 with MRT-20003-1	
Drawn By	Name ML	Date 22/07/2023		Number	
Approved By				Rev	
Type	Finish		Material	Scale 1:5	Sheet 1 / 2 A3

This document must not be copied without our written permission, and the contents thereof must not be imparted to a third party nor be used for any unauthorized purpose. Contravention will be prosecuted.



		General tolerance		Description	
		SFS-EN 2768-m		Front suspension geometry	
		Welded structures		Specification	
		EN-ISO 13920		E36 M3 3.2 with MRT-20003-1	
				Number	
Drawn By ML Date 22/07/2023				Rev	
Approved By 		Type 		Material 	
		Finish		Scale 1:5	
				Sheet 2 / 2 A3	