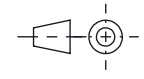
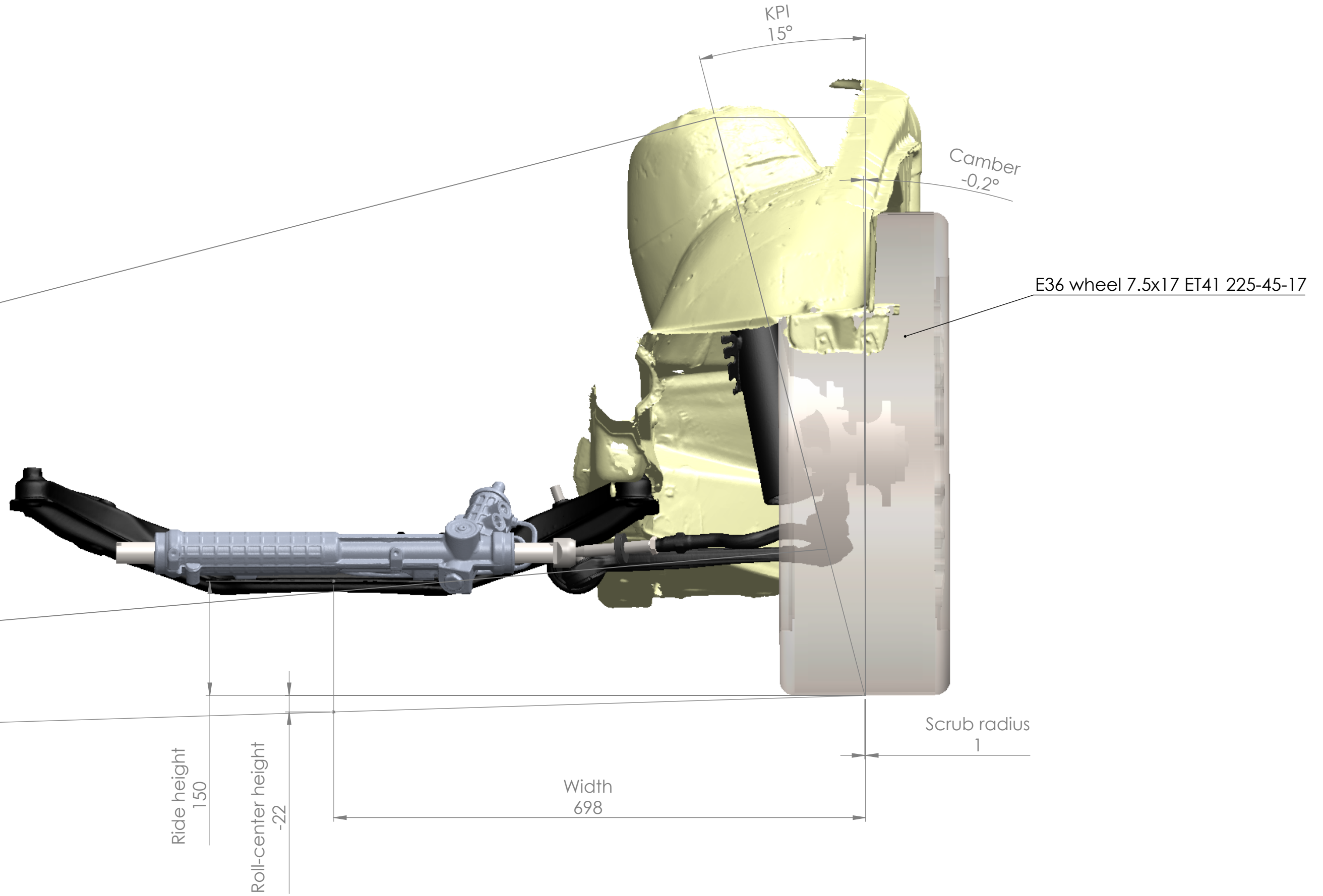

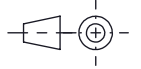
		General tolerance		Description	
		SFS-EN 2768-m		Front suspension geometry	
		Welded structures		Specification	
		EN-ISO 13920		E36 M3 3.2	
				Number	
Drawn By ML Approved By Type				Date 22/07/2023 Finish	

This document must not be copied without our written permission, and the contents thereof must not be imparted to a third party nor be used for any unauthorized purpose. Contravention will be prosecuted.



		General tolerance		Description		
		SFS-EN 2768-m		Front suspension geometry		
		Welded structures		Specification		
		EN-ISO 13920		E36 M3 3.2		
					Number	Rev
Drawn By	Name	Date	Finish	Material	Scale 1:5	Sheet 2 / 2 A3
ML		22/07/2023				
Approved By						
Type						

This document must not be copied without our written permission, and the contents thereof must not be imparted to a third party nor be used for any unauthorized purpose. Contravention will be prosecuted.