
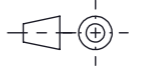
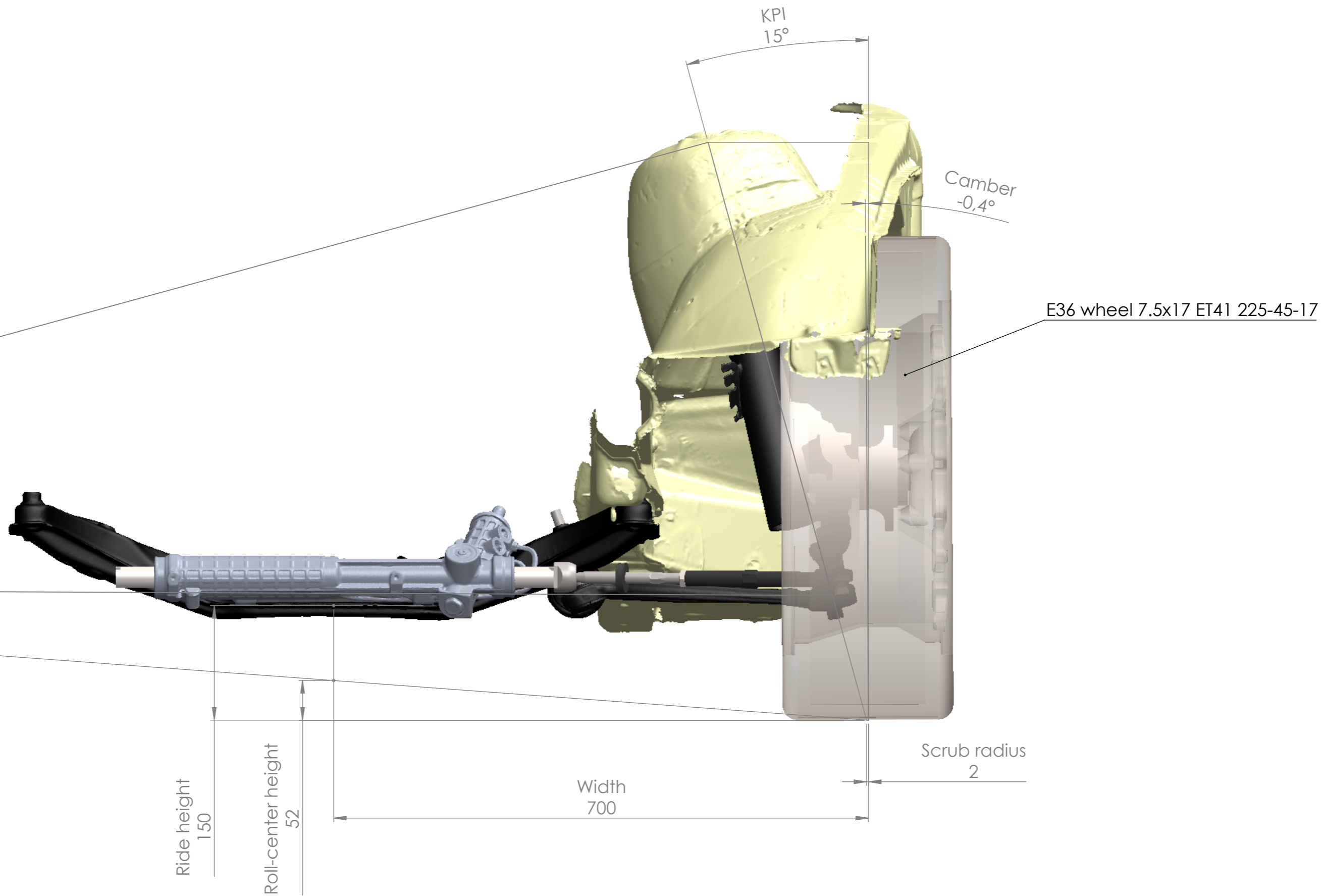

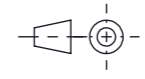


| | | | | | |
|---|--|---|--|------------------------------|--|
|  | | General tolerance | | Description | |
| | | SFS-EN 2768-m | | Front suspension geometry | |
| | | Welded structures | | Specification | |
| | | EN-ISO 13920 | | E36 M3 3.0 with MRT-20003-1W | |
| | |  | | Number | |
| Drawn By ML Approved By Type | | | | Rev | |
| Date 23/07/2023 | | Finish | | Scale 1:5 | |
| | | Material | | Sheet 1 / 2 A3 | |



| | | | | | |
|---|------|---|--------|------------------------------|--------------------------|
|  | | General tolerance | | Description | |
| | | SFS-EN 2768-m | | Front suspension geometry | |
| | | Welded structures | | Specification | |
| | | EN-ISO 13920 | | E36 M3 3.0 with MRT-20003-1W | |
| | |  | | Number | |
| | | | | Rev | |
| Drawn By | Name | Date | | | |
| ML | | 23/07/2023 | | | |
| Approved By | | | | | |
| Type | | | Finish | Material | Scale 1:5 Sheet 2 / 2 A3 |

This document must not be copied without our written permission, and the contents thereof must not be imparted to a third party nor be used for any unauthorized purpose. Contravention will be prosecuted.