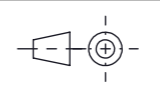
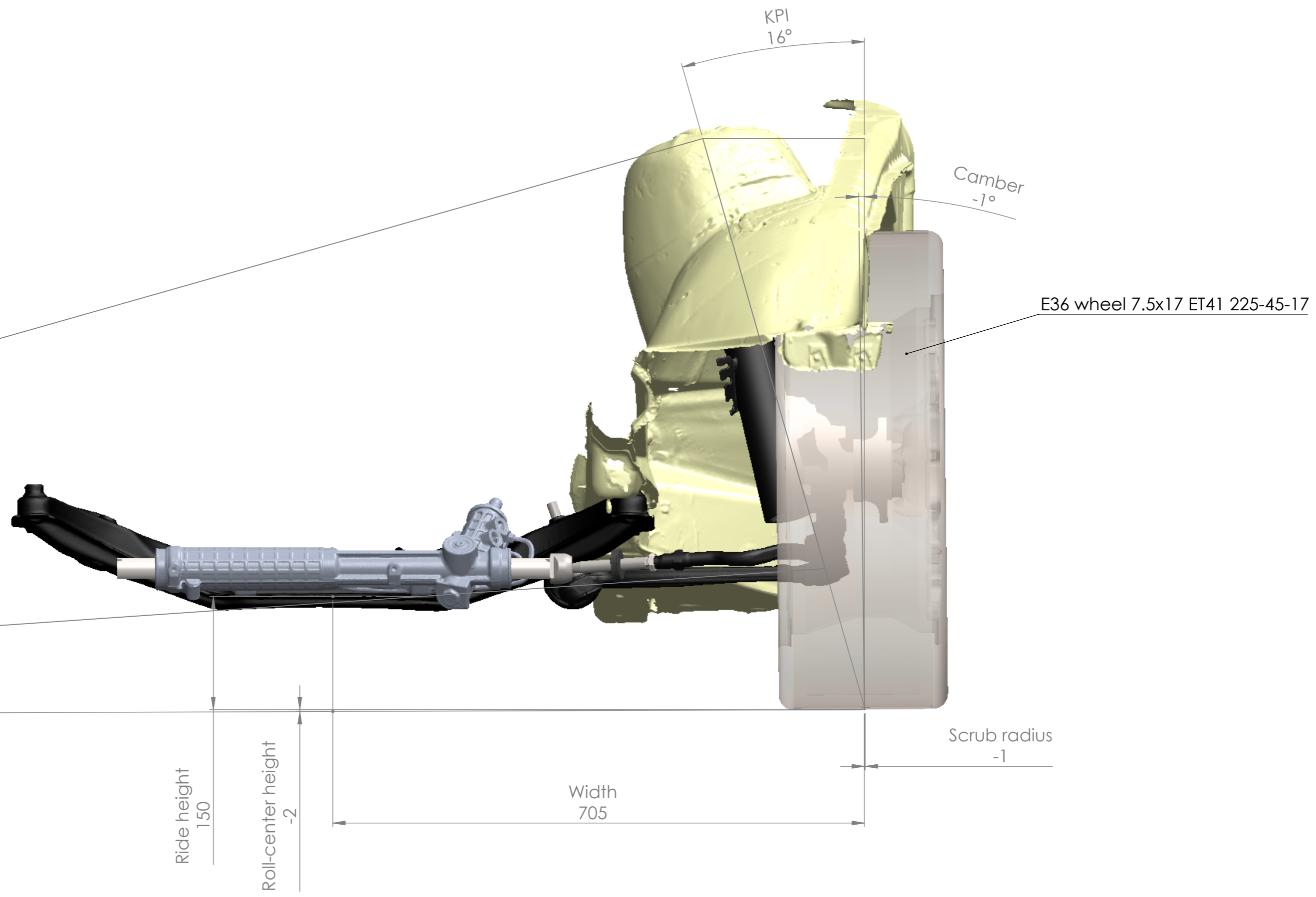
		General tolerance SFS-EN 2768-m		Description	
		Welded structures EN-ISO 13920		Front suspension geometry	
				Specification	
				E36 M3 3.0	
				Number	
				Rev	
				Scale 1:5	
				Sheet 1 / 2 A3	

	Name	Date
Drawn By	ML	22/07/2023
Approved By		
Type		





		General tolerance		Description	
		SFS-EN 2768-m		Front suspension geometry	
		Welded structures		Specification	
		EN-ISO 13920		E36 M3 3.0	
Drawn By	Name	Date		Number	Rev
Approved By	ML	22/07/2023			
Type			Finish	Material	Scale 1:5
					Sheet 2 / 2 A3

This document must not be copied without our written permission, and the contents thereof must not be imparted to a third party nor be used for any unauthorized purpose. Contravention will be prosecuted.