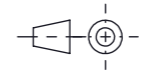
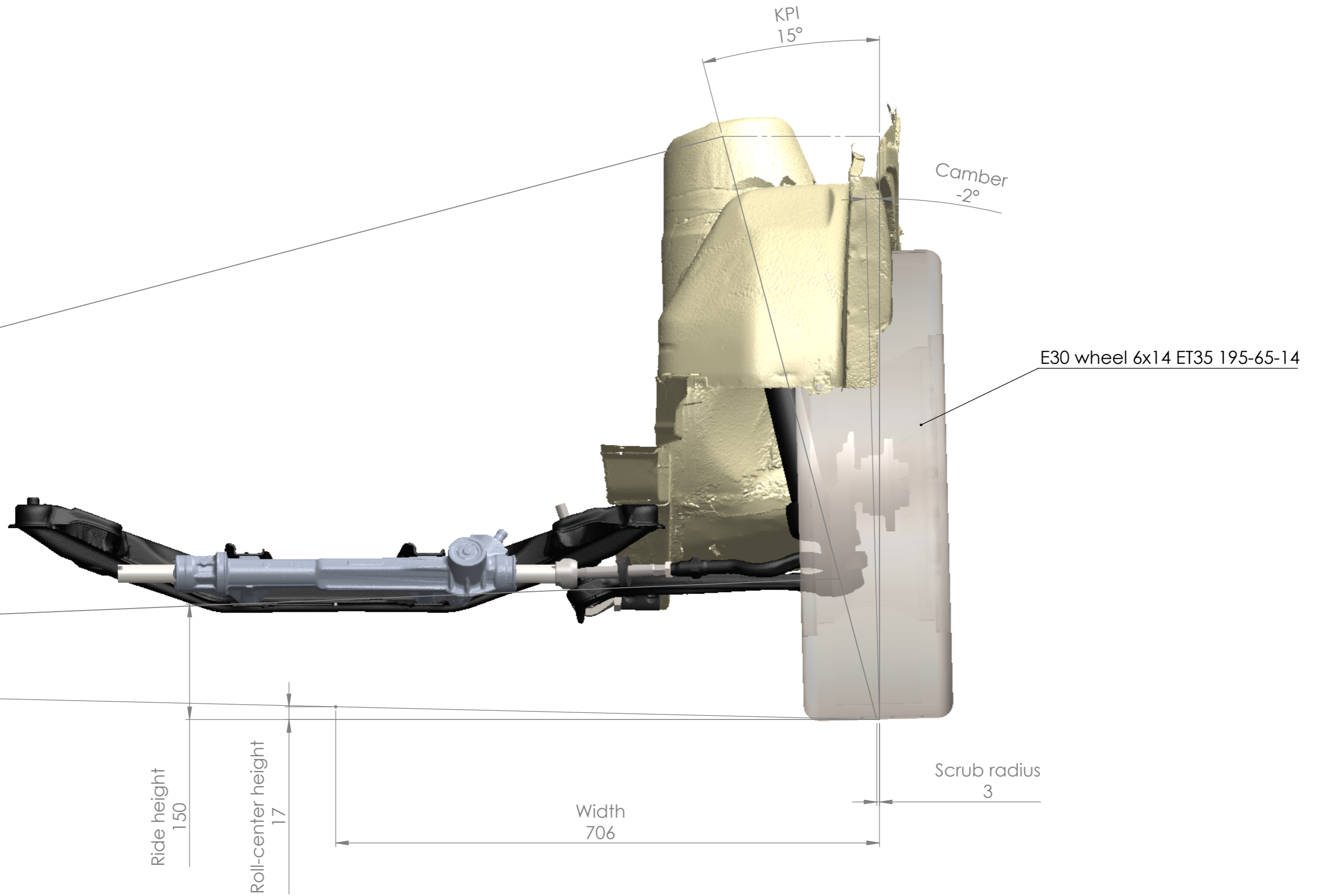

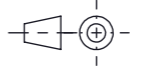
		General tolerance SFS-EN 2768-m		Description Front suspension geometry	
		Welded structures EN-ISO 13920		Specification E30 non-M with MRT-20009-1	
Drawn By	Name ML	Date 30/06/2023		Number	
Approved By				Rev	
Type	Finish		Material	Scale 1:5	Sheet 1 / 2 A3

This document must not be copied without our written permission, and the contents thereof must not be imparted to a third party nor be used for any unauthorized purpose. Contravention will be prosecuted.



		General tolerance		Description		
		SFS-EN 2768-m		Front suspension geometry		
		Welded structures		Specification		
		EN-ISO 13920		E30 non-M with MRT-20009-1		
					Number	Rev
Drawn By ML Approved By Type					Date 30/06/2023	Material

This document must not be copied without our written permission, and the contents thereof must not be imparted to a third party nor be used for any unauthorized purpose. Contravention will be prosecuted.