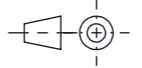
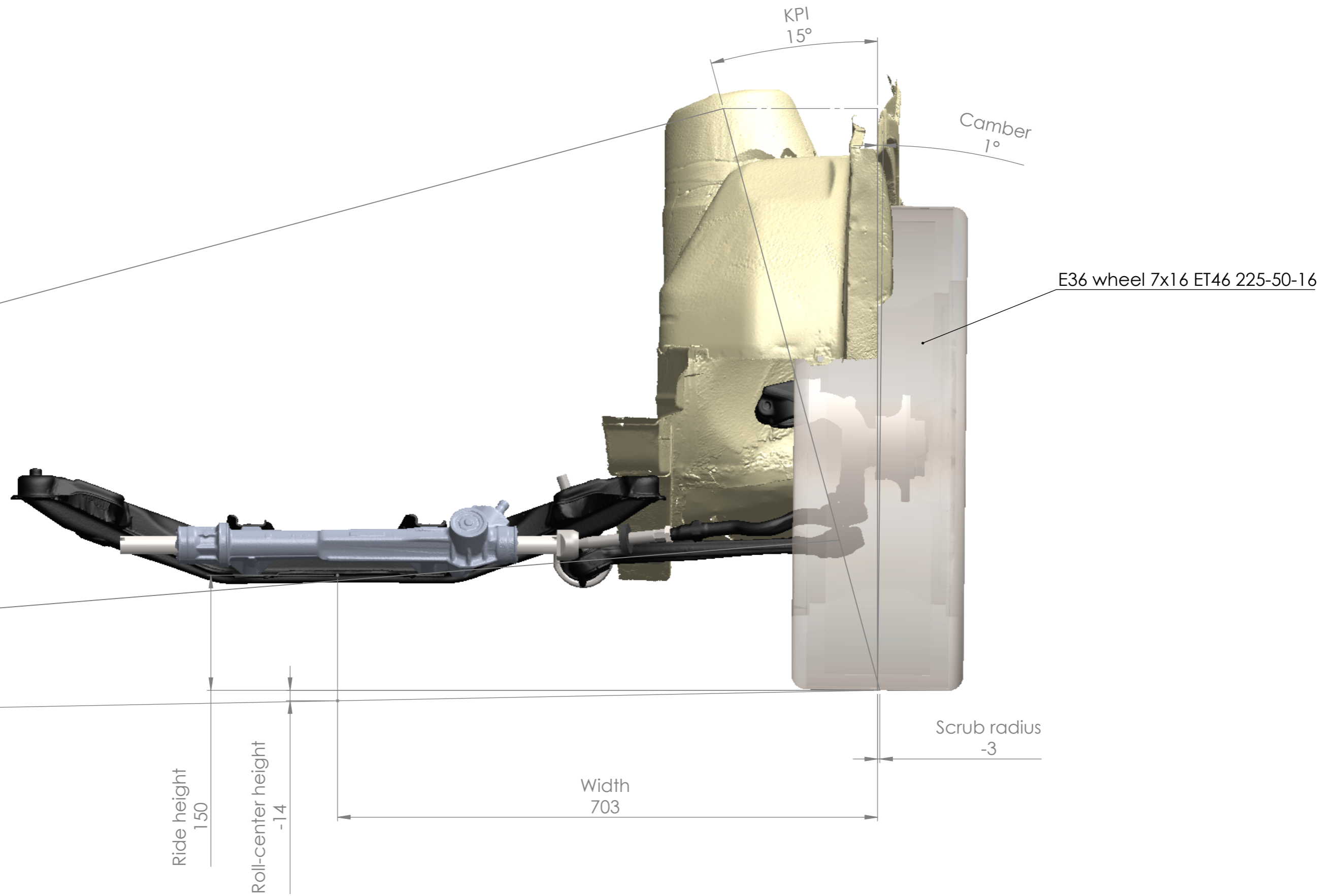

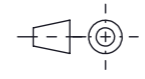
		General tolerance		Description	
		SFS-EN 2768-m		Front suspension geometry	
		Welded structures		Specification	
		EN-ISO 13920		E30 non-M with E46 non-M spindle and eccentric FCAB	
				Number	
				Rev	
Name		Date			
Drawn By		20/06/2023			
ML					
Approved By					
Type		Finish		Material	
				Scale 1:5	
				Sheet 1 / 2 A3	



		General tolerance		Description	
		SFS-EN 2768-m		Front suspension geometry	
		Welded structures		Specification	
		EN-ISO 13920		E30 non-M with E46 non-M spindle and eccentric FCAB	
				Number	
Drawn By ML Approved By Type				Rev	
		Finish		Scale 1:5	
		Material		Sheet 2 / 2 A3	

This document must not be copied without our written permission, and the contents thereof must not be imparted to a third party nor be used for any unauthorized purpose. Contravention will be prosecuted.