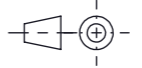
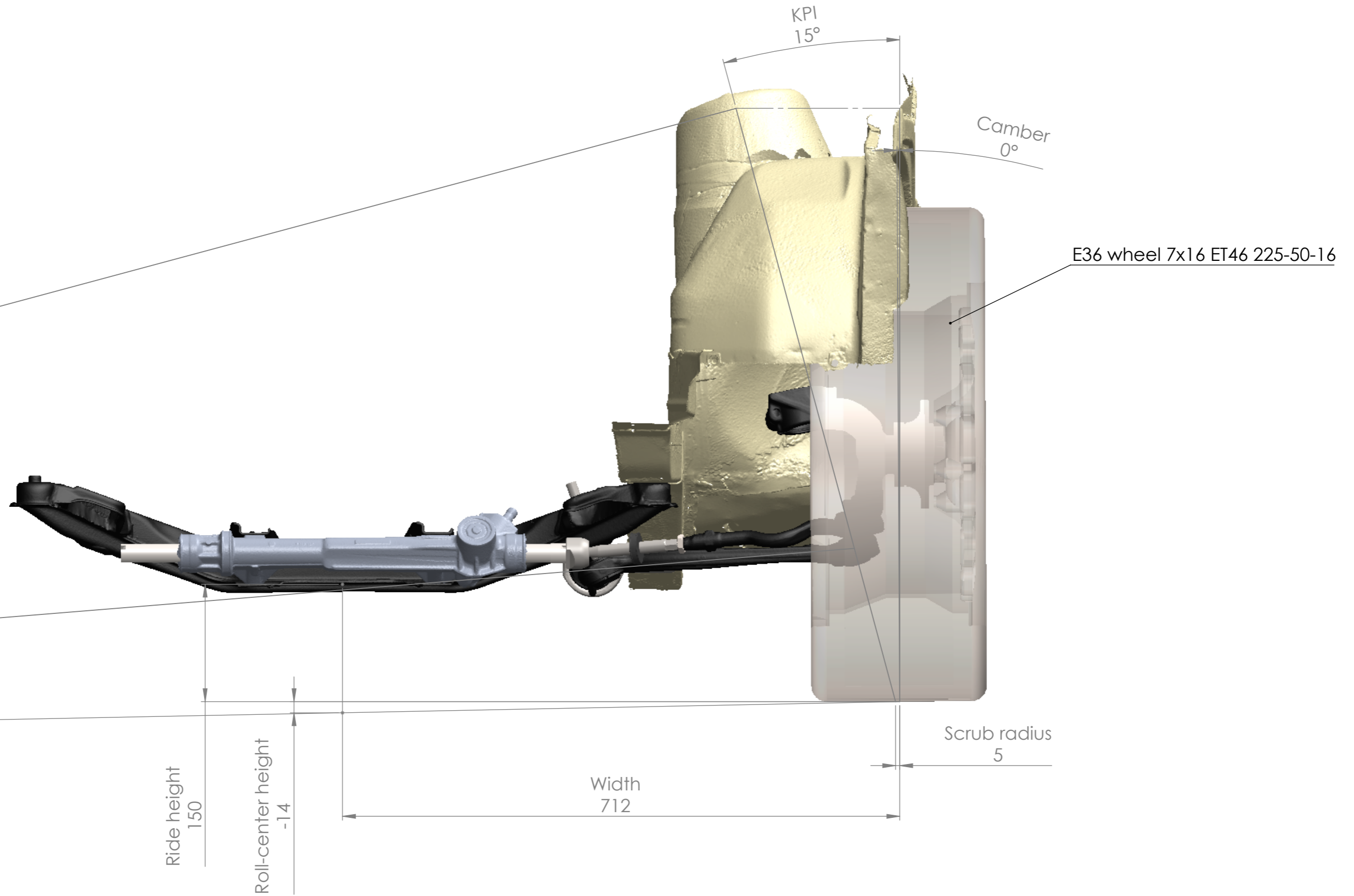

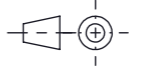
		General tolerance		Description	
		SFS-EN 2768-m		Front suspension geometry	
		Welded structures		Specification	
		EN-ISO 13920		E30 non-M with E46 M3 spindle and eccentric FCAB	
Name		Date		Number	
Drawn By		20/06/2023		Rev	
Approved By					
Type		Finish		Material	
				Scale 1:5	
				Sheet 1 / 2 A3	



		General tolerance		Description	
		SFS-EN 2768-m		Front suspension geometry	
		Welded structures		Specification	
		EN-ISO 13920		E30 non-M with E46 M3 spindle and eccentric FCAB	
				Number	
Drawn By ML Approved By Type				Date 20/06/2023 Rev	
		Finish		Scale 1:5	
		Material		Sheet 2 / 2 A3	